

SPECIFICATIONS:

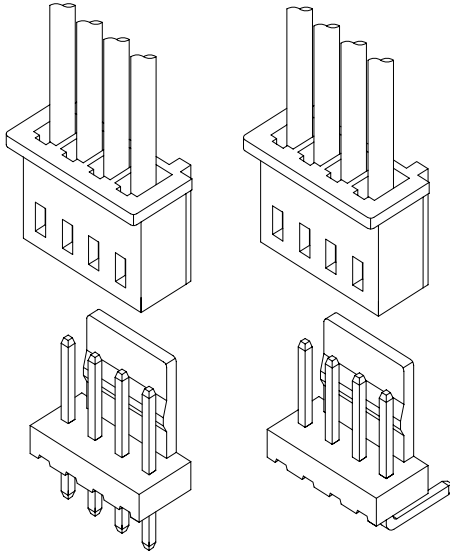
Voltage rating: 250V AC/DC
 Current rating: 3A AC/DC
 Withstanding Voltage: 800V AC/minute
 Insulation resistance: 1000MΩ Min.
 Temperature range: -25°C To +85°C
 Contact resistance: 20mΩ Max.

Standards

HSF

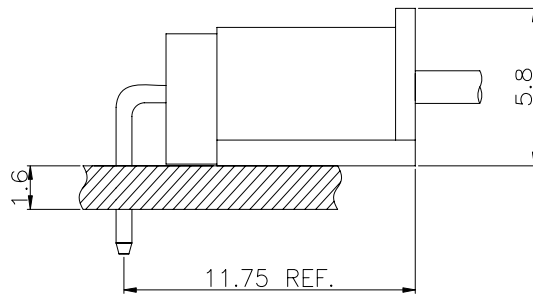
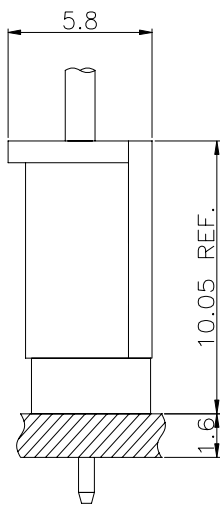


RoHS



Wire to Board

Assembly Layout



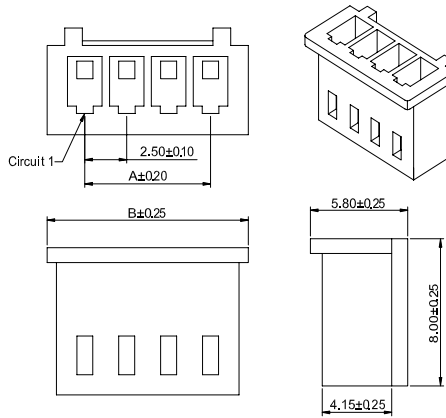
DIP TYPE

Connectors Expert Around You

2.50mm Pitch housing connector

HOUSING

- Part NO.:AH2503-xP
- Suitable:AT2503T series Terminal
- Mates with:AW2503 series Wafer
- Material:Nylon 66,UL94V-0
- Color:Ivory



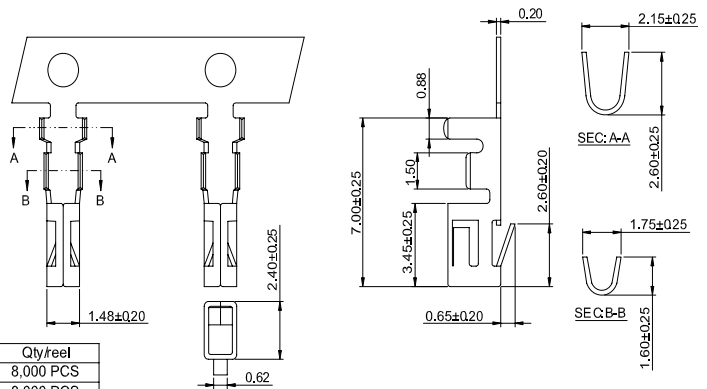
Ordering Information & Dimensions

PART NO.	Dimensions	
	A	B
AH2503-2P	2.50	7.00
AH2503-3P	5.00	9.50
AH2503-4P	7.50	12.00
AH2503-5P	10.00	14.50
AH2503-6P	12.50	17.00
AH2503-7P	15.00	19.50
AH2503-8P	17.50	22.00
AH2503-9P	20.00	24.50
AH2503-10P	22.50	27.00
AH2503-11P	25.00	29.50
AH2503-12P	27.50	32.00
AH2503-13P	30.00	34.50
AH2503-14P	32.50	37.00
AH2503-15P	35.00	39.50
AH2503-16P	37.50	42.00
AH2503-17P	40.00	44.50
AH2503-18P	42.50	47.00
AH2503-19P	45.00	49.50
AH2503-20P	47.50	52.00

2.50mm Pitch crimp terminal connector

TERMINAL

- Part NO.:AT2503T-xP
- Applicable wire:AWG#22-#28
- Material:Phosphor Bronze
- Finish:Tin Plated or Gold



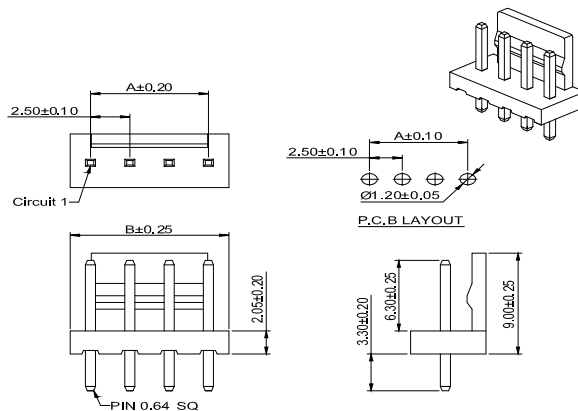
Ordering information & Specifications:

Part NO.	Wire Range	Insulation O.D.	Material	Finish	Qty/reel
AT2503T-TB	AWG #22-#28	1.75mm(max)	Brass	Tin over Nickel	8,000 PCS
AT2503T-TP	AWG #22-#28	1.75mm(max)	Phosphor Bronze	Tin over Nickel	8,000 PCS
AT2503T-GB	AWG #22-#28	1.75mm(max)	Brass	Gold over Nickel	8,000 PCS
AT2503T-GP	AWG #22-#28	1.75mm(max)	Phosphor Bronze	Gold over Nickel	8,000 PCS

2.50mm Pitch 180° wafer connector

WAFER

- Part NO.:AW2503V-xP
- Material:Pin:Brass/Tin over Nickel
- Insulator:Nylon 66,UL94V-0
- Mates with:AH2502 series Housing
- Color:White



Ordering Information & Dimensions

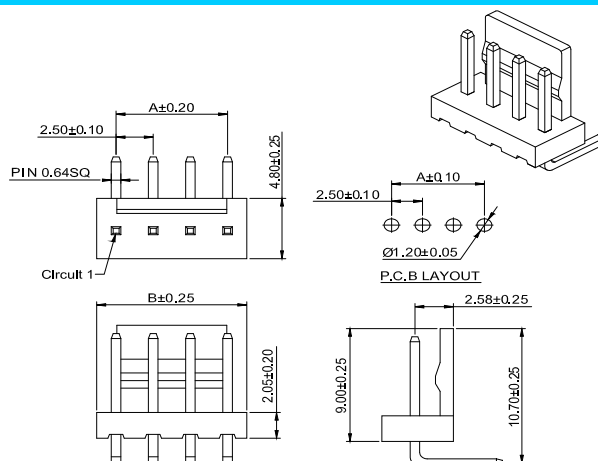
PART NO.	Dimensions	
	A	B
AW2503V-2P	2.50	5.00
AW2503V-3P	5.00	7.50
AW2503V-4P	7.50	10.00
AW2503V-5P	10.00	12.50
AW2503V-6P	12.50	15.00
AW2503V-7P	15.00	17.50
AW2503V-8P	17.50	20.00
AW2503V-9P	20.00	22.50
AW2503V-10P	22.50	25.00
AW2503V-11P	25.00	27.50
AW2503V-12P	27.50	30.00
AW2503V-13P	30.00	32.50
AW2503V-14P	32.50	35.00
AW2503V-15P	35.00	37.50
AW2503V-16P	37.50	40.00
AW2503V-17P	40.00	42.50
AW2503V-18P	42.50	45.00
AW2503V-19P	45.00	47.50
AW2503V-20P	47.50	50.00

Unit: mm

2.50mm Pitch 90° wafer connector

WAFER

- Part NO.:AW2503R-xP
- Material:Pin:Brass/Tin over Nickel
- Insulator:Nylon 66,UL94V-0
- Mates with:AH2502 series Housing
- Color:White



Ordering Information & Dimensions

PART NO.	Dimensions	
	A	B
AW2503R-2P	2.50	5.00
AW2503R-3P	5.00	7.50
AW2503R-4P	7.50	10.00
AW2503R-5P	10.00	12.50
AW2503R-6P	12.50	15.00
AW2503R-7P	15.00	17.50
AW2503R-8P	17.50	20.00
AW2503R-9P	20.00	22.50
AW2503R-10P	22.50	25.00
AW2503R-11P	25.00	27.50
AW2503R-12P	27.50	30.00
AW2503R-13P	30.00	32.50
AW2503R-14P	32.50	35.00
AW2503R-15P	35.00	37.50
AW2503R-16P	37.50	40.00
AW2503R-17P	40.00	42.50
AW2503R-18P	42.50	45.00
AW2503R-19P	45.00	47.50
AW2503R-20P	47.50	50.00

Unit: mm