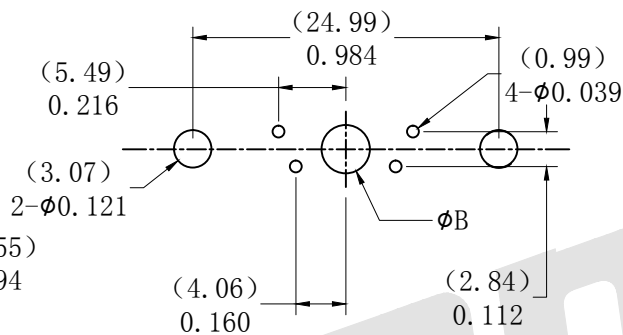
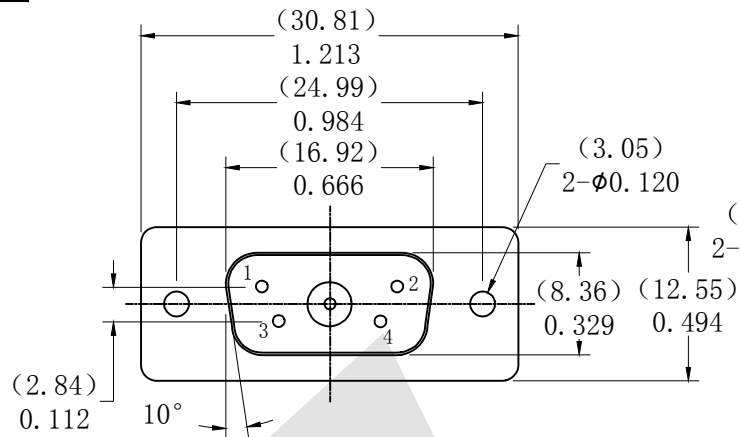
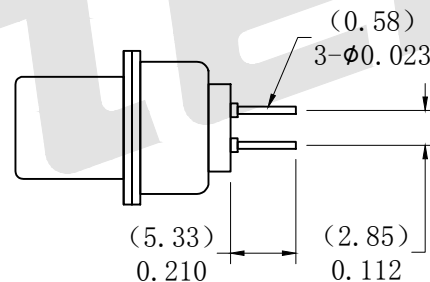
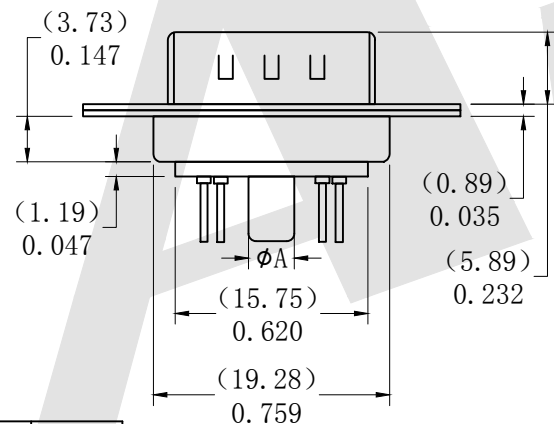


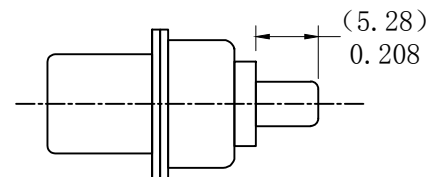
HSF



PECOMMENDED PCB LAYOUT



SIGNAL CONTACTS



POWER CONTACTS

SPECIFICATIONS:

ELECTRICAL:

INSULATOR RESISTANCE: 5,000 MegOHMS Min.
 DIELECTRIC WITHSTANDING: 1,000 VAC r.m.s.
 OPERATING TEMPERATURE: -55°C ~ +125°C
 CONTACT RESISTANCE: 30 MILLIOHMS Max.
 POWER PINS: SEE PART No. BELOW

MECHANICAL:

CONTACT INSERTION FORCE: 4.5kg Max
 CONTACT SEPARATOR FORCE: 0.3kg Min

MATERIALS:

CONTACTS: BRASS
 INSULATOR: PBT UL94V-0 RATED,
 230°C PROCESS TEMP.
 SHELL: STEEL

SHELL:

FINISH:

SHELL:

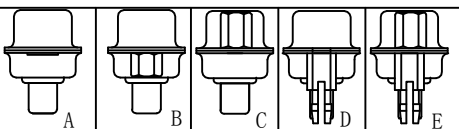
NICKEL

Ordering Code:

PDP5W1	-M	-A	-G0	-B	-20
①	②	③	④	⑤	⑥

- ① Series
- ② Contact Type:
M:Male F:Female
- ③ Mounting Option:
A: No accessories
B: Rear Rivet
C: Front Rivet
D: Groundstand-off on rear shell
E: Front rivet+Groundstand-off on rear shell
- ④ Contact NO. :
G0: Gold flash
G1: 3u" Gold
G2: 5u" Gold
G3: 10u" Gold
G4: 15u" Gold
G5: 30u" Gold
- ⑤ Insulation Color Code:
B:Black L:Blue
W:White
- ⑥ Power AMP:
10 = 10AMPS;
20 = 20AMPS;
30 = 30AMPS;
40 = 40AMPS;

40 AMPS	φ3.75	φ4.0
30 AMPS	φ3.2	φ3.5
20 AMPS	φ2.8	φ3.0
10 AMPS	φ1.7	φ2.0
Current Rating	φA	PCB(φB)
	Dimension	



NOTE:
 POWER CONTACTS COME
 PRE-LOADED INTO INSULATORS

Unless Otherwise specified tolerance
 X. ±0.35 X.XX: ±0.20
 X.X: ±0.25 X.XXX: ±0.15

Antenk ANTENK ELECTRONICS CO., LTD
 Http://www.antenk.com
 E-mail:sales@antenk.com

SCALE: As Shown	UNIT: mm
DRAW Lv Xun Hua	DATE 30/04/2019
CHECK BobYang	DATE 30/04/2019

TITLE:
 POWER D-SUB 5W1 DIP STRAIGHT-MALE TYPE



DRAWING NO: PDP5W1-MXXXX
 PRODUCT NO: PDP5W1-MXXXX

REV	DESCRIPTION	DATE

Autodesk

Autodesk