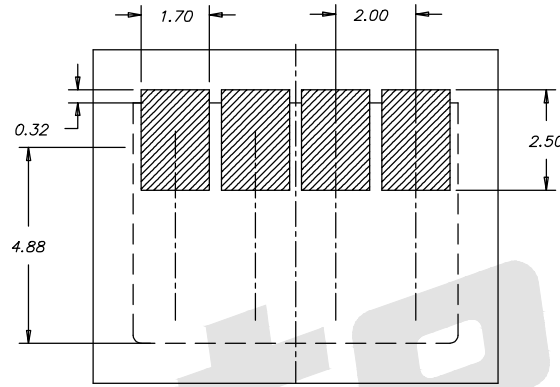
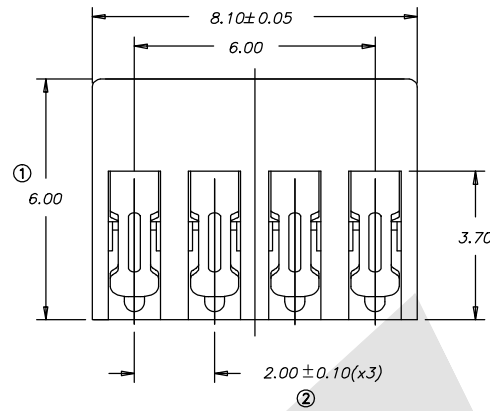


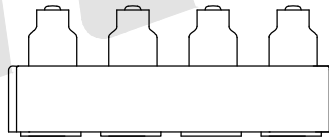
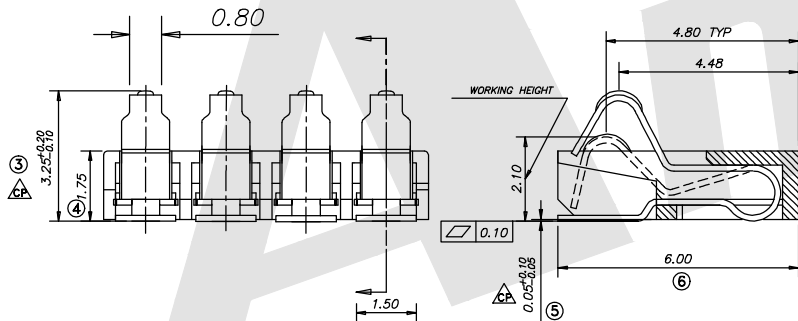
HSF



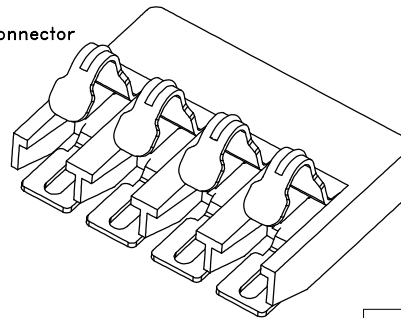
ROHS



Recommended PCB layout



4 Pins SMT Battery Connector



NOTES

1. MATERIAL:
  - A. PIN: BERYLLIUM COPPER
  - B. INSULATOR: 30% GLASS-FILLED THERMOPLASTIC LCP OR EQUIVALENT UL94V-0, BLACK.
2. FINISH: CONTACT: GOLD FLASH (1° MIN.) ALL OVER, 50-100 MICROINCH (1.27-2.54 MICRON) NICKEL UNDERPLATED ALL OVER (1.27-2.54 MICRON) MICROINCH MATTE TIN, 10-100 MICROINCH (1.27-2.54 MICRON) NICK UNDERPLATED
3. ELECTRICAL SPECIFICATIONS:
  - VOLTAGE RATING: 250 VAC MIN
  - CURRENT RATING: 2.0 A MIN
  - DIELECTRIC STRENGTH: 1000 VAC FOR 1 MINUTE MIN
  - INSULATION RESISTANCE: 1000 MEG OHM MIN
  - CONTACT RESISTANCE: 30 MILL. OHM MAX
  - OPERATION TEMPERATURE: -55° C TO +125° C
  - PRODUCT WITHSTANDING REFLOW SOLDERING 260° FOR 10S
4. MECHANICAL SPECIFICATIONS:
  - 4.1 DURABILITY: 5,000 CYCLES
  - 4.2 NORMAL FORCE AT MATED POSITION: 60g MIN
  - 4.3 NORMAL FORCE AT FULL STROKE: 100g MIN
5. PARTS TO BE PACKAGED IN ANTI-STATIC TAPE AND REEL FOR AUTOMATIC PLACEMENT.
6. THE CAVITY IS 0.8±0.10mm HIGH WITH 0.10±0.10mm RECESSED FROM SURFACE.
7. CP is critical parameter, supplier must demonstrate minimum CPK of 1.6 where applicable.

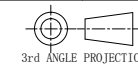
Ordering Code:

ABT18 - 04 - L - A - X - D  
 ① ② ③ ④ ⑤ ⑥

- |                       |                    |
|-----------------------|--------------------|
| ① Series No:          | ⑤ Contact Plating: |
| ② No. of Contacts     | G0: Gold flash     |
| 04: 04Pin             | G1: 3u" gold       |
| ③ Insulator Material: | G2: 5u" gold       |
| P: PBT+30%GF          | G3: 10u" gold      |
| L: LCP                | G4: 15u" gold      |
| ④ Pitch               | G5: 30u" gold      |
| A: 2.0mm Pitch        | ⑥ Packing:         |
|                       | A: Tray            |
|                       | B: Bag             |
|                       | C: Tube            |
|                       | D: Tape Reel       |

Unless Otherwise specified tolerance  
 X. ±0.35 X.XX: ±0.20  
 X.X: ±0.25 X.XXX: ±0.15

SCALE: As Shown	UNIT: mm
DRAW Wu Feng Rong	DATE 16/03/2020
CHECK BobYang	DATE 16/03/2020



**Antenk**® ANTENK ELECTRONICS CO., LTD  
 Http://www.antenk.com  
 E-mail:sales@antenk.com

TITLE:  
2.0PITCH 4PIN BATTERY CONNECTOR

DRAWING NO: ABT18-04LAXD

PRODUCT NO: ABT18-04LAXD

REV	DESCRIPTION	DATE