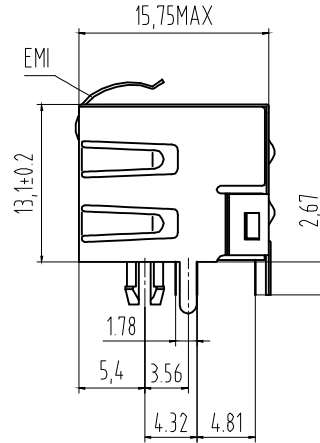
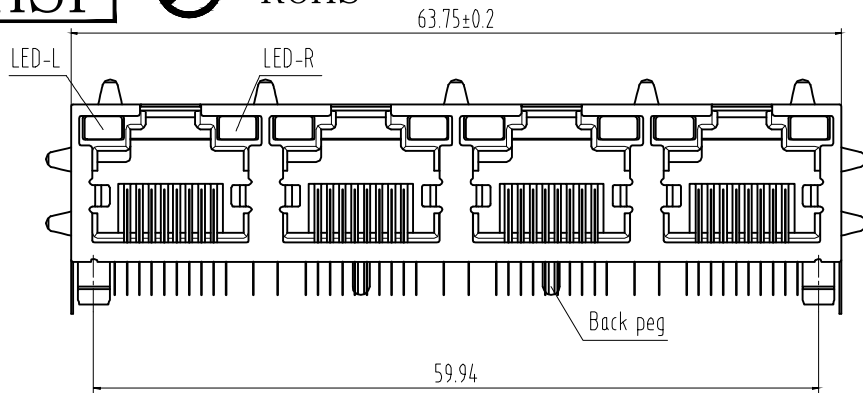


HSF



ROHS



NOTES:

- MATERIAL:
1. HOUSING MATERIAL: GLASS FILLED POYESTER UL94V-0.
  2. CONTACT MATERIAL: PHOSPHOR BRONZE  $t=0.3\text{mm}$
  3. PLATING: SELECTING GOLD PLATING  $1\mu\sim 50\mu$  OVER NICKEL IN CONTACT AREA.  $150\mu$  TIN PLATIN. OVER NICKEL IN SOLDER AREA
  4. SHIELD: 0.2mm THICKNESS COPPER WITH NICKEL PLATE ELECTRICAL
- ELECTRICAL
1. VOLTAGE RATING: 125VAC RMS
  2. CURRENT RATING: 1.5AMP
  3. CONTACT RESISTANCE: 30MILLIOHMS MAX
  4. INSULATION RESISTANCE 500MEG OHMS MIN @500V DC
  5. DIELECTRIC WITHSTANDING RESISTANCE : 1000V AC RMS 50Hz. 1MIN

MECHANICAL

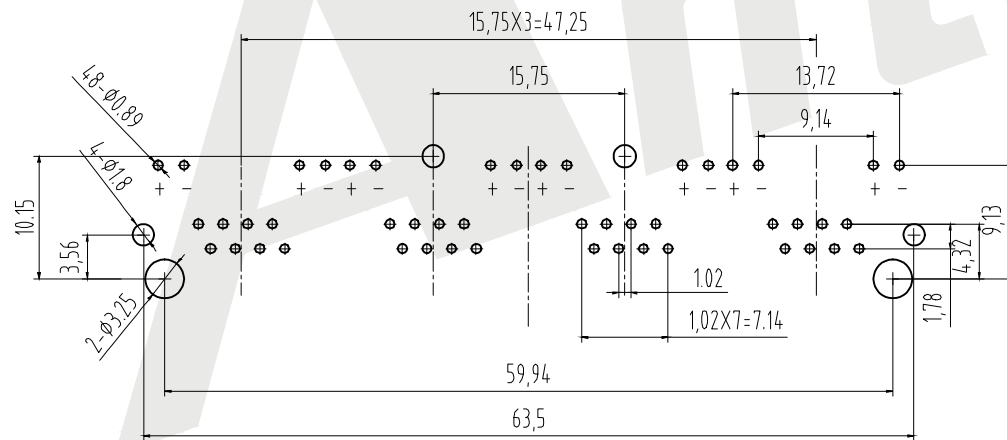
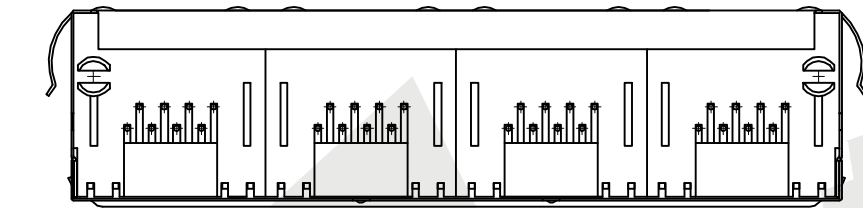
1. DURRABILITY: 750 CYCLES MIN
2. PCB RETENTION PRB-SOLDER: 1 LB MIN REVRONMENTAL
1. STORAGE: -40° C TO 85° C
2. OPERATION: 0° C TO 70° C

Order code:

ATRJ5622 - 8P - 8C - X - C - D - B

① ② ③ ④ ⑤ ⑥ ⑦

- ① SERIES NO:
- ② NUMBER OF POSITIONS (10P, 8P, 6P, 4P)
- ③ NUMBER OF CONTACTS (10C, 8C, 6C, 4C)
- ④ Contact Plating
  - G0: Gold flash
  - G1: 3U" Gold
  - G2: 5U" Gold
  - G3: 10U" Gold
  - G4: 15U" Gold
  - G5: 30U" Gold
  - SN: Tin
- ⑤ Shield
  - A: W/O Shield
  - B: Half Shield
  - C: Shield W/Eml
  - D: Shield W/O Eml
- ⑥ Ports
  - A: 1X1P G: 2X1P
  - B: 1X2P H: 2X2P
  - C: 1X4P I: 2X3P
  - D: 1X5P J: 2X4P
  - E: 1X6P K: 2X6P
  - F: 1X8P L: 2X8P
- ⑦ LED STYLE:
  - A: W/O LED
  - B: LEFT YELLOW/RIGHT GREEN
  - C: LEFT GREEN/RIGHT YELLOW
  - D: LEFT RED/RIGHT GREEN
  - E: LEFT GREEN/RIGHT RED
  - F: LEFT YELLOW/RIGHT YELLOW
  - G: LEFT GREEN/RIGHT GREEN



PC Board Layout

Component Side Showr

Unless Otherwise specified tolerance  
 X. ±0.35 X.XX: ±0.20  
 X.X: ±0.25 X.XXX: ±0.15

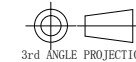
**Antenk** ANTENK ELECTRONICS CO., LTD  
 Http://www.antenk.com  
 E-mail:sales@antenk.com

SCALE: As Shown UNIT: mm  
 DRAW Wu Feng Rong DATE 22/03/2018  
 CHECK BobYang DATE 22/03/2018

TITLE: RJ45 Jack side entry, Full shielded with LED, with EMI

DRAWING NO: ATRJ5622-8P8C-X-C-D-B

PRODUCT NO: ATRJ5622-8P8C-X-C-D-B



REV	DESCRIPTION	DATE
1		
2		
3		
4		
5		