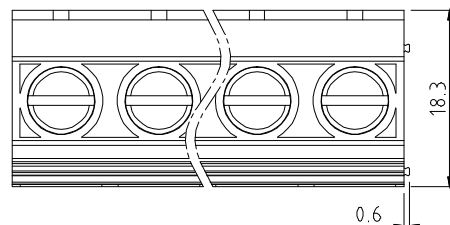
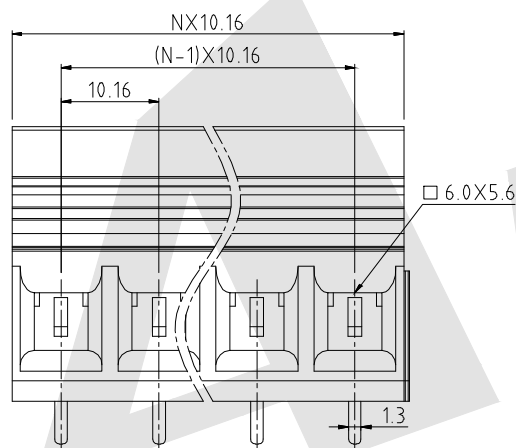


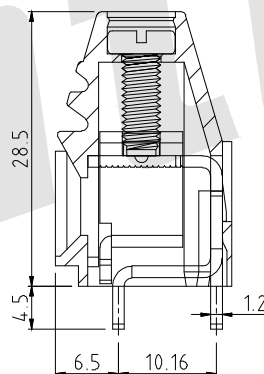
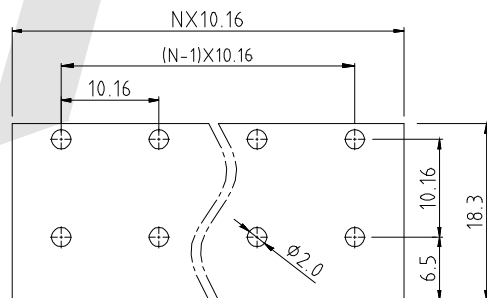
HSF



N=Number of contacts



P.C.B. LAYOUT



SPECIFICATION

Voltage Rating (额定电压):300V

Current Rating(额定电流) :64A

Contact Resistance:20mΩ

Withstanding Voltage:2500VAC(1min)/1pcs

Wire range(使用线径) :6—20AWG

Housing(塑件):PA66+23%GF, UL94V-0

Terminal(端子) :

Brass, Tin-Plated(黄铜, 镀锡)

Screw(螺丝) :

Steel, M3.0 Ni-Plated(钢, 镀镍)

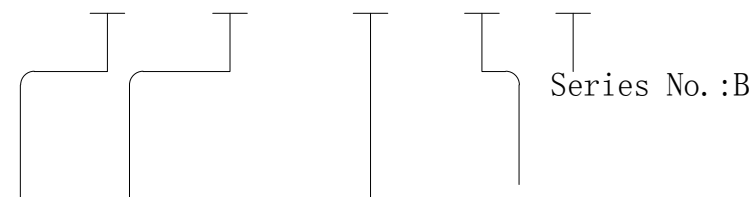
Torque(扭力) :16kgf.cm/M4

Operating temperature:-40° C to +105° C

Test temperature 25° C±10° C/5 seconds max

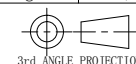
Ordering Code:

AT135 - 10.16 - XX - X - C



Unless Otherwise specified tolerance  
X. ±0.35 X.XX: ±0.20  
X.X: ±0.25 X.XXX: ±0.15

SCALE: As Shown UNIT: mm  
DRAW: Wu Feng Rong DATE: 25/02/2020  
CHECK: BobYang DATE: 22/03/2018



**Antenk**® ANTENK ELECTRONICS CO.,LTD  
Http://www.antenk.com  
E-mail:sales@antenk.com

TITLE: PCB Screw Terminal Block Pitch: 10.16  
DRAWING NO: AT135-10.16XXX-C  
PRODUCT NO: AT135-10.16XXX-C

REV	DESCRIPTION	DATE