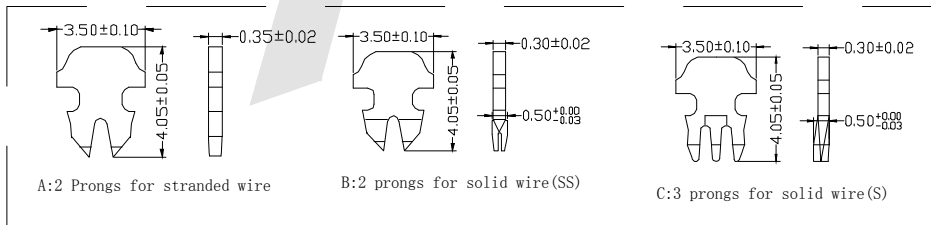
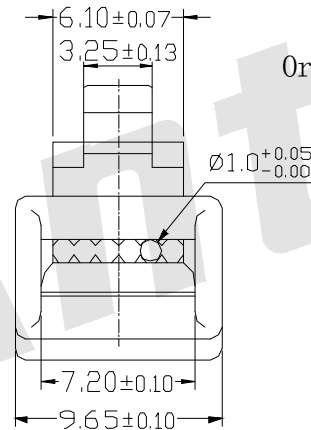
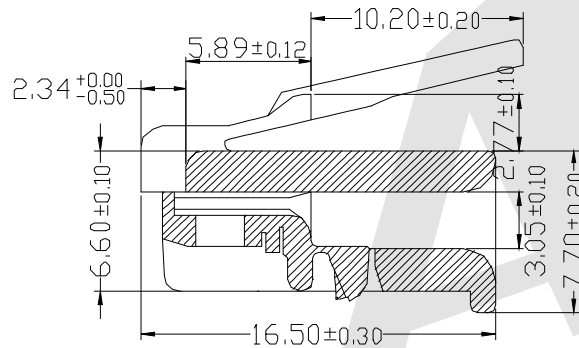
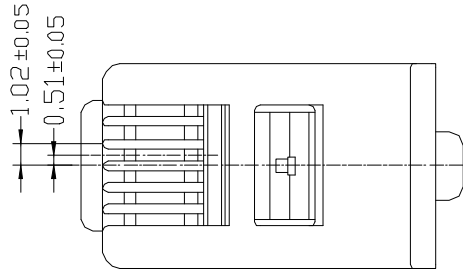


HSF



FEATURES:

1 Electrical Test:

- A. 250V AC max at 2 amps.
- B. Dielectric with standing 500volts AC.
- C. Insulation Resistance:500 megaohms.
- D. Termination Resistance:35megaohms.

2 Mechanical:

- A. Cable-to-Plug tensile strength-20LBs (89N) min.
- B. Durability:500 mating cycles.

Ordering Code:

ATRP6P6C - X - X - X - 002

① ② ③ ④ ⑤

1. Series:

2. Housing Material:

- A:UL 94V-0
- B:UL 94V-2

3. Contact Type:

- A:2 Prongs for stranded wire
- B:2 prongs for solid wire (SS)
- C:3 prongs for solid wire (S)

4. Gold plating :

- A:1u" B:3u"
- C:6u" D:15u"
- E:30u" F:50u"

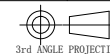
Unless Otherwise specified tolerance
 X. ±0.35 X.XX: ±0.20
 X.X: ±0.25 X.XXX: ±0.15



ANTENK ELECTRONICS CO., LTD
 Http://www.antenk.com
 E-mail:sales@antenk.com

SCALE: As Shown UNIT: mm
 DRAW: Wu Feng Rong DATE: 16/09/2019
 CHECK: BobYang DATE: 16/09/2019

TITLE:
 Plug 6P6C Serial unshielded Type (Long BODY)



DRAWING NO: ATRP6P6C-XXX-002
 PRODUCT NO: ATRP6P6C-XXX-002

| REV | DESCRIPTION | DATE |
|-----|-------------|------|
| 1 | | |
| 2 | | |
| 3 | | |
| 4 | | |
| 5 | | |