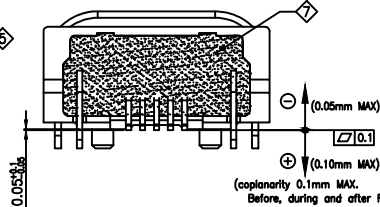
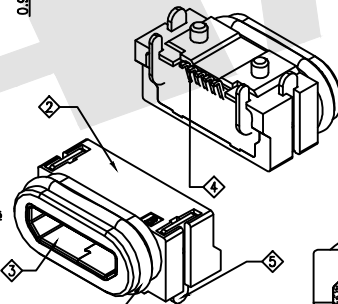
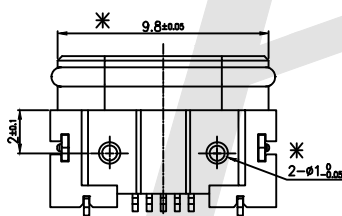
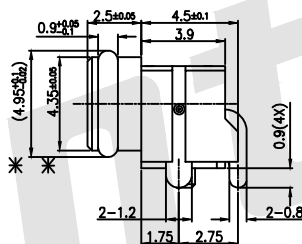
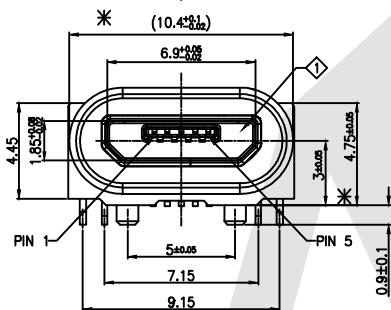


Recommended PCB Layout  
Tolerance: ±0.1(Top view)



UNLESS OTHERWISE SPECIFIED, TOLERANCE ON DECIMAL: ±0.3

SPECIFICATIONS:

1. Material:
  - 1.1 Housing: High temperature thermoplastic with G.F, UL94V-0
  - 1.2 Contact: Copper alloy, t=0.20mm
  - 1.3 Shell: Copper alloy, t=0.25mm
2. Electrical Characteristics:
  - 2.1 Current rating: 1 A MAX.
  - 2.2 Dielectric withstanding voltage: 100V AC for 1 minute
  - 2.3 Contact resistance: 100 MW Min.
  - 2.4 Insulation resistance: 100 MW Min.
  - 2.5 Total mating force: 3.57 kgf Max.
  - 2.6 Total unmating force: 1.0kgf min. 0.81-2.05 kgf min. after 10000 insertion/extraction cycles
  - 2.7 Temperature range: -30° C To +80° C

Ordering Code:

WMUFM01 - X - L - X - X - X  
① ② ③ ④ ⑤ ⑥

- |                       |                    |
|-----------------------|--------------------|
| ① Series No:          | ⑤ Contact Plating: |
| ② Shell Material:     | G0: Gold flash     |
| B: Brass              | G1: 3u" Gold       |
| S: Stainless steel    | G2: 5u" Gold       |
| ③ Insulator Material: | G3: 10u" Gold      |
| L: LCP                | G4: 15u" Gold      |
| ④ Contact Material:   | G5: 30u" Gold      |
| B: Brass              | ⑥ Packing:         |
| P: Phosphor Copper    | A: Tray            |
|                       | B: Bag             |
|                       | C: Tube            |
|                       | D: Tape & Reel     |

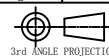
Unless Otherwise specified tolerance  
X. ±0.35 X.XX: ±0.20  
X.X: ±0.25 X.XXX: ±0.15



ANTENK ELECTRONICS CO., LTD  
Http://www.antenk.com  
E-mail:sales@antenk.com

SCALE: As Shown UNIT: mm  
DRAW: Lv Xun Hua DATE: 03/06/2019  
CHECK: BobYang DATE: 03/06/2019

TITLE: MICRO USB AB TYPE 5P SMT Receptacle  
Waterproof Type Dip (9.15mm+7.15mm)



DRAWING NO: WMUFM01-XLXXX  
PRODUCT NO: WMUFM01-XLXXX

REV	CHANGE MUFM42-XLXXX TO WMUFM01-XLXXX	DESCRIPTION	DATE
1			
2			
3			
4			
5			