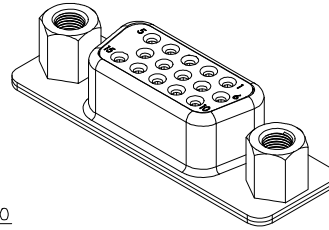
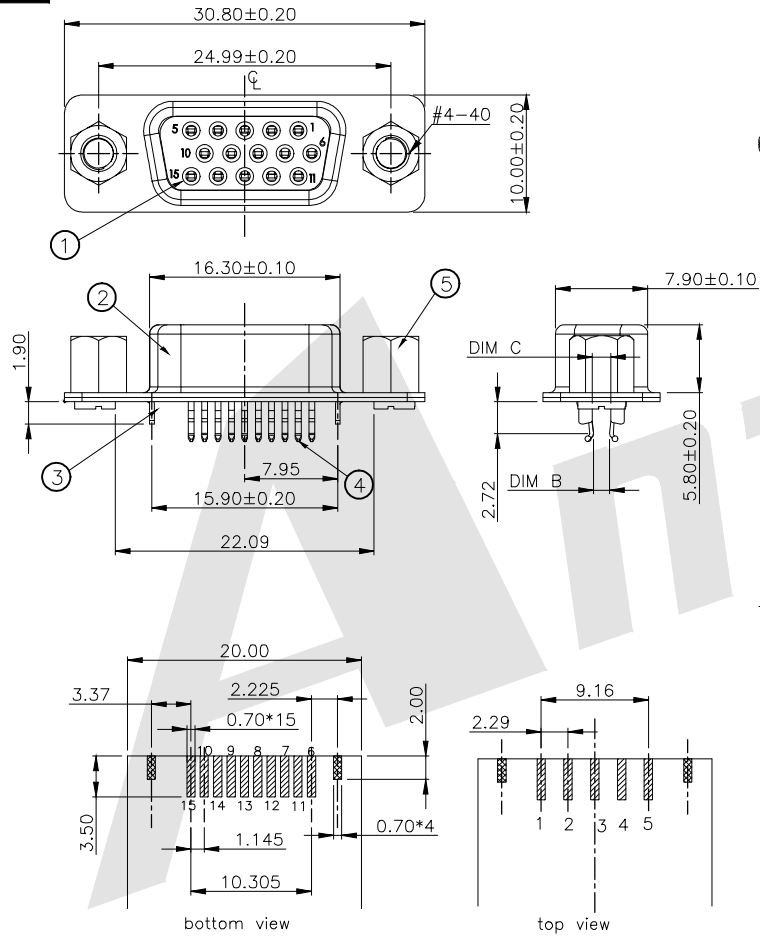


HSF

RoHS



SPECIFICATION:
 ELECTRICAL: CHARACTERISTICS
 Contact Current Rating:1A
 Contact Voltage Rating: 240V AC
 Dielectric withstanding voltage:500VAC rms
 Insulation resistance:5000 megohms min
 Contact Resistance:30mΩ max
 Temperature range:-55℃~+105℃
 Recommended PCB Thickness 1.00~1.20mm

Ordering Code:

MDT01 - 15F - X - X
 ① ② ③ ④

- ① MDT01
- ② Contact Type:
15F:15pin Female
- ③ Color Code:
B:Black W:White
L:Blue G:Grey
- ④ Contact Plating
S: Selective Gold
S1:Selective 3u" Gold
S2:Selective 5u" Gold
S3:Selective 10u" Gold
S4:Selective 15u" Gold
S5:Selective30u" Gold
G0: Gold flash
G1: 3u" Gold over
G2: 5u" Gold over
G3: 10u" Gold over
G4: 15u" Gold over
G5: 30u" Gold over

夹板式VGA母座与PCB板搭配示意图

料号	DIM B	DIM C	PCB 厚度
MDT01-15FXX	1.00	1.15	1.20
MDT01-15FXX	1.40	1.55	1.60

RECOMMENDED P.C.B LAYOUT (COMPONENT SIDE)
 FOR P.C.B THICKNESS:1.20&1.60mm

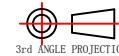
Unless Otherwise specified tolerance
 X. ±0.35 X.XX: ±0.20
 X.X: ±0.25 X.XXX: ±0.15

Antenk ANTEK ELECTRONICS CO.,LTD
 Http://www.antenk.com
 E-mail:sales@antenk.com

SCALE: As Shown UNIT: mm
 DRAW Lv Xun Hua DATE 22/03/2019
 CHECK BobYang DATE 22/03/2019

TITLE: SLIM VGA 15P FEMALE STRADDLE TYPE WITH MOUNTING SCREWS

DRAWING NO: MDT01-15FXX
 PRODUCT NO: MDT01-15FXX



3rd ANGLE PROJECTION

REV	DESCRIPTION	DATE