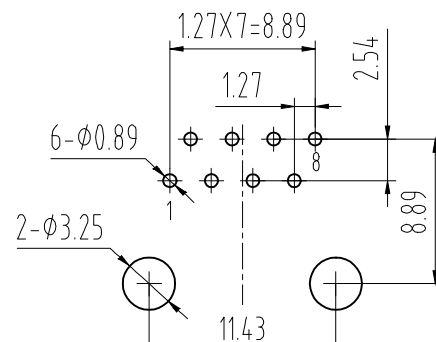
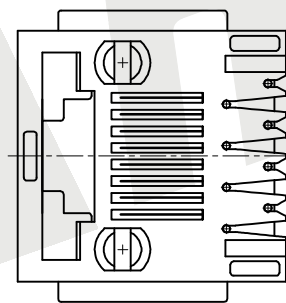
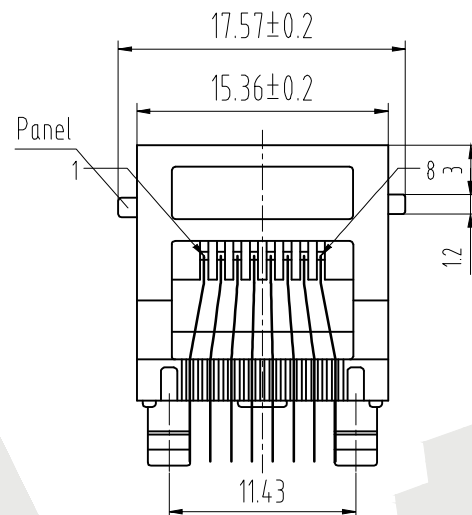
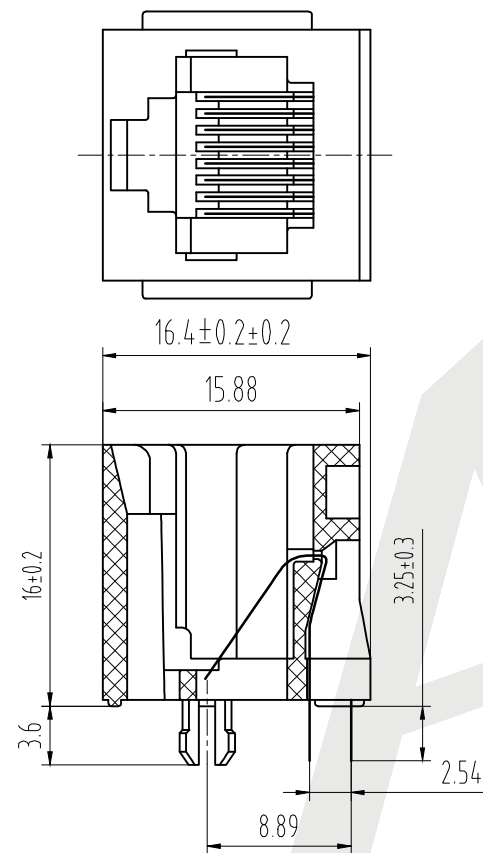


HSF



ROHS



Component Side Shown PC Board Layout

NOTES:

MATERIAL:

1. HOUSING MATERIAL :GLASS FILLED POYESTER UL94V-0.
2. CONTACT MATERIAL :PHOSPHOR BRONZE t=0.3mm
3. PLATING :SELECTING GOLD PLATING 1μ~50μ "OVER NICKEL IN CONTACT AREA. 150μ " TIN PLATIN. OVER NICKEL IN SOLDER AREA
4. SHIELD:0.2mmTHICKNESS COPPER WITH NICKEL PLATEI

ELECTRICAL

1. VOLTAGE RATING :125VAC RMS
2. CURRENT RATING :1.5AMP
3. CONTACT RESISTANCE:30MILLIOHMS MAX
4. INSULATION RESISTANCE 500MEGOHMS MIN @500V DC
5. DIELECTRIC WITHSTANDING RESISTANCE :1000V AC RMS 50Hz. 1MIN

MECHANICAL

1. DURRABILITY:750 CYCLES MIN
2. PCB RETENTYON PRB-SOLDER :1 LB MIN

REVRONMENTAL

1. STORAGE:-40° C TO 85° C
2. OPERATION:0° C TO 70° C

Order code:

ATRJ5221 - 8P - 8C - X - A - X - A
 ① ② ③ ④ ⑤ ⑥ ⑦

- ① SERIES NO:
- ② NUMBER OF POSITIONS (8P, 6P, 4P)
- ③ NUMBER OF CONTACTS (8C, 6C, 4C)
- ④ Contact Plating
 G0:Gold flash
 G1: 3U" Gold
 G2: 5U" Gold
 G3:10U" Gold
 G4:15U" Gold
 G5:30U" Gold
 SN:Tin
- ⑤ Shield
 A:W/O Shield
 B:Half Shield
 C:Shield W/Eml
 D:Shield W/O Eml
- ⑥ Ports
 A:1X1P
 B:1X2P
 C:1X4P
 D:1X5P
 E:1X6P
 F:1X8P
- ⑦ With Panel or not
 A:With panel
 B:Without panel

Unless Otherwise specified tolerance
 X. ±0.35 X.XX:±0.20
 X.X:±0.25 X.XXX:±0.15

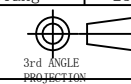
Antenk® ANTENK ELECTRONICS CO., LTD
 Http://www.antenk.com
 E-mail:sales@antenk.com

SCALE: As Shown UNIT: mm
 DRAW Wu Feng Rong DATE 25/07/2019
 CHECK BobYang DATE 25/07/2019

TITLE: RJ45 Jack Top entry 8P8C,
 Full plastic with Panel

DRAWING NO: ATRJ5221-8P8C-X-A-X-A

PRODUCT NO: ATRJ5221-8P8C-X-A-X-A



REV	DESCRIPTION	DATE
1		
2		
3		
4		
5		