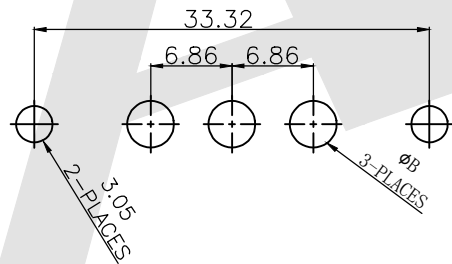
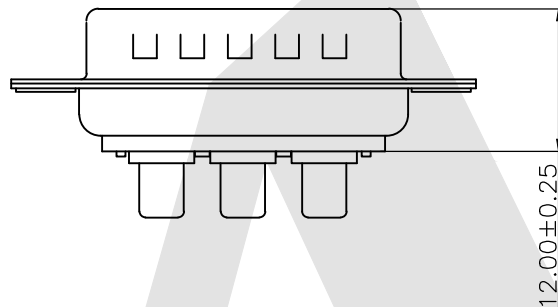
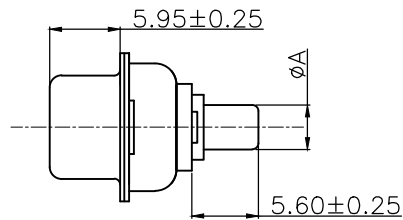
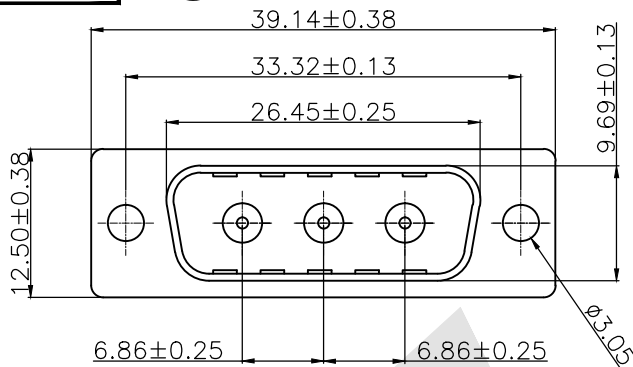


HSF



RECOMMENDED PCB LAYOUT

40 AMPS	φ3.75	φ4.0
30 AMPS	φ3.2	φ3.5
20 AMPS	φ2.8	φ3.0
10 AMPS	φ1.7	φ2.0
Current Rating	φA	PCB(φB)
	Dimension	

POWER CONTACTS

NOTE:
POWER CONTACTS COME
PRE-LOADED INTO INSULATORS

SPECIFICATIONS:

ELECTRICAL:

INSULATOR RESISTANCE: 5,000 MegOHMS Min.
DIELECTRIC WITHSTANDING: 1,000 VAC r. m. s.
OPERATING TEMPERATURE: -55°C~+125°C
CONTACT RESISTANCE: 30 MILLIOHMS Max.
POWER PINS: SEE PART No. BELOW

MECHANICAL:

CONTACT INSERTION FORCE: 4.5kg Max
CONTACT SEPARATOR FORCE: 0.3kg Min

MATERIALS:

CONTACTS: BRASS
INSULATOR: PBT UL94V-0 RATED,
230°C PROCESS TEMP.
SHELL: STEEL

SHELL:

FINISH:

SHELL:

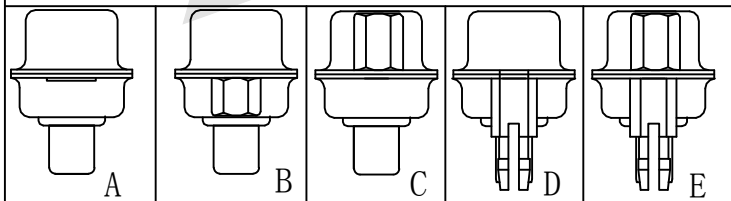
NICKEL

Ordering Code:

PDP3W3 -M -A -G0 -B -20

① ② ③ ④ ⑤ ⑥

- ① Series
- ② Contact Type:
M:Male F:Female
- ③ Mounting Option:
A: No accessories
B: Rear Rivet
C: Front Rivet
D: Groundstand-off on rear shell
E: Front rivet+Groundstand-off on rear shell
- ④ Contact NO. :
G0: Gold flash
G1: 3u" Gold
G2: 5u" Gold
G3: 10u" Gold
G4: 15u" Gold
G5: 30u" Gold
- ⑤ Insulation Color Code:
B:Black L:Blue
W:White
- ⑥ Power AMP:
10 = 10AMPS;
20 = 20AMPS;
30 = 30AMPS;
40 = 40AMPS;

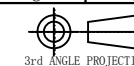


Unless Otherwise specified tolerance
X. ±0.35 X.XX: ±0.20
X.X: ±0.25 X.XXX: ±0.15

Antenk ANTENK ELECTRONICS CO.,LTD
Http://www.antenk.com
E-mail:sales@antenk.com

SCALE: As Shown UNIT: mm
DRAW Lv Xun Hua DATE 30/04/2019
CHECK BobYang DATE 30/04/2019

TITLE:
POWER D-SUB 3W3 DIP STRAIGHT-MALE TYPE



DRAWING NO: PDP3W3-MXXXX
PRODUCT NO: PDP3W3-MXXXX

REV	DESCRIPTION	DATE
1		
2		
3		