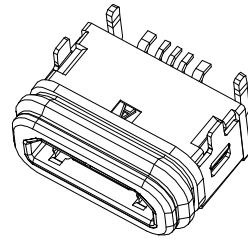
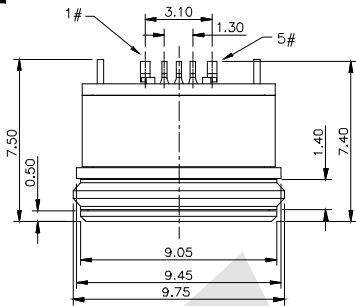
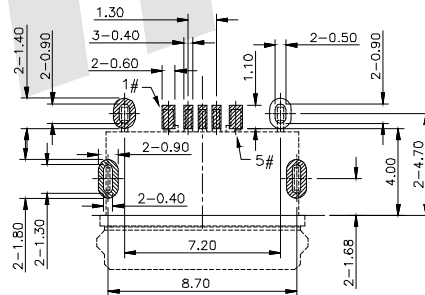
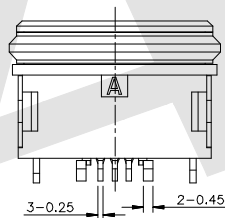
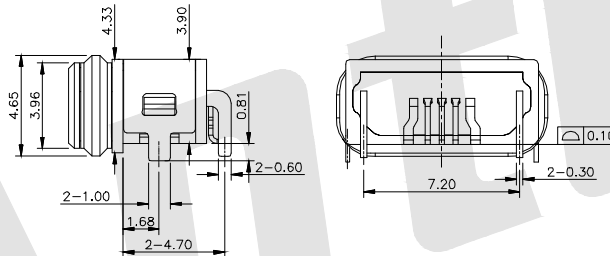
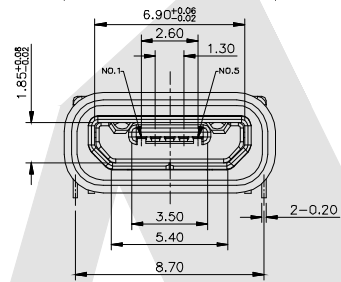


HSF



3D VIEW



RECOMMENDED P.C.B. LAYOUT (TOP VIEW)
GENERAL TOLERANCE: ±0.05

SPECIFICATIONS:
 1. ELECTRICAL CHARACTERISTICS:
 1.1 Rating: 3A (PIN&5), 0.5A (PIN2&3&4)
 1.2 Contact resistance: 30mΩ Max (INITIAL)
 1.3 Dielectric withstanding: 500V AC Min.
 1.4 Insulation resistance: 1000mΩ
 2. Durability: 10,000cycles min.
 3. Insertion force: 3.5kgf (35N) Max
 4. Extraction force: 0.8kgf (8N) Min
 5. Water proofness: this product is based on ipx7 (1m, 30min)
 6. Plug interface dimensions conform to usb2.0 spec
 7. packing: tape&reel

Ordering Code:
 WMUFM02 - X - L - X - X - X
 ① ② ③ ④ ⑤ ⑥

- ① Series No:
- ② Shell Material:
B: Brass
S: Stainless steel
- ③ Insulator Material:
L: LCP
- ④ Contact Material:
B: Brass
P: Phosphor Copper
- ⑤ Contact Plating:
G0: Gold flash
G1: 3u" Gold
G2: 5u" Gold
G3: 10u" Gold
G4: 15u" Gold
G5: 30u" Gold
- ⑥ Packing:
A: Tray
B: Bag
C: Tube
D: Tape & Reel

Contact Number	Signal Name	Remarks
1#	VBUS	Power
2#	D-	Date-
3#	D+	Date+
4#	ID	Reserve or Gound
5#	GND	Gound

ITEM	PART NAME	Q'TY	MATERIAL	REMARK
⑦	Oval ring	1	Rubber	Black
⑥	Clue	1		Black
⑤	U-shaped frame	1	Copper alloy or stainless	Nickel plated
④	Inner shell	1	Copper alloy or stainless	Nickel plated
③	Terminal	5	Copper alloy, 0.15t	Gold Plated
②	Outer shell	1	High temperature thermoplastic	Black
①	Body	1	High temperature thermoplastic	Black

Unless Otherwise specified tolerance
 X. ±0.35 X.XX: ±0.20
 X.X: ±0.25 X.XXX: ±0.15

SCALE: As Shown UNIT: mm

DRAW Lv Xun Hua DATE 05/07/2019
 CHECK BobYang DATE 05/07/2019



Antenk ANTENK ELECTRONICS CO., LTD
 Http://www.antenk.com
 E-mail:sales@antenk.com

TITLE: MICRO USB 2.0 B TYPE Receptacle
 Waterproof Type

DRAWING NO: WMUFM02-XLXXX
 PRODUCT NO: WMUFM02-XLXXX

REV	DESCRIPTION	DATE
	CHANGE MUFM52-XLXXX TO WMUFM02-XLXXX	