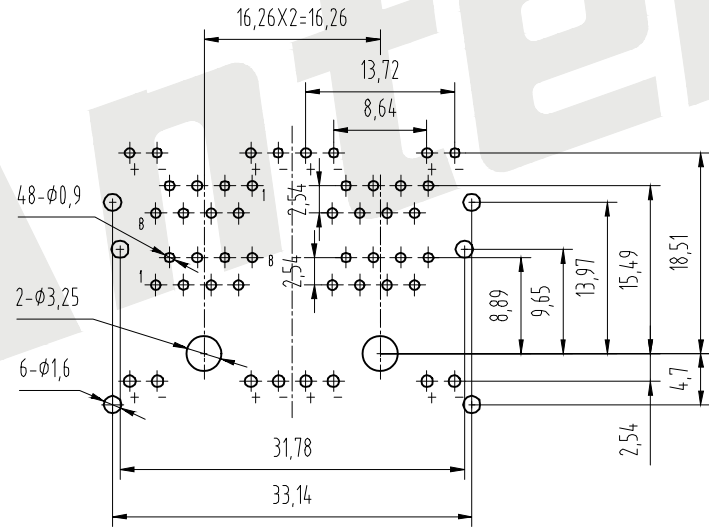
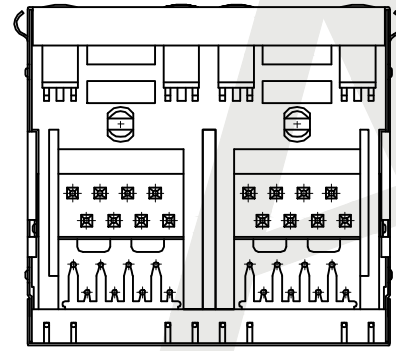
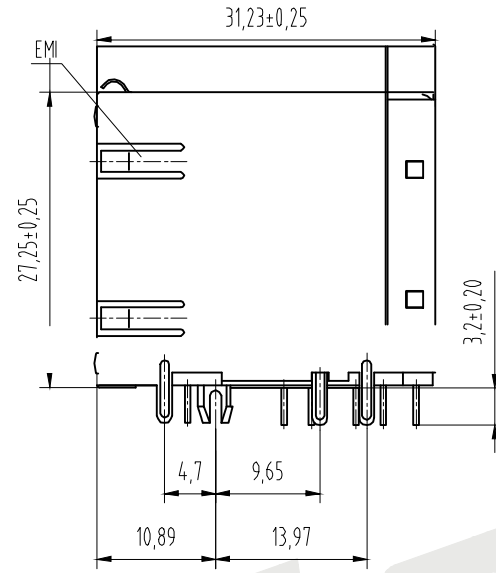
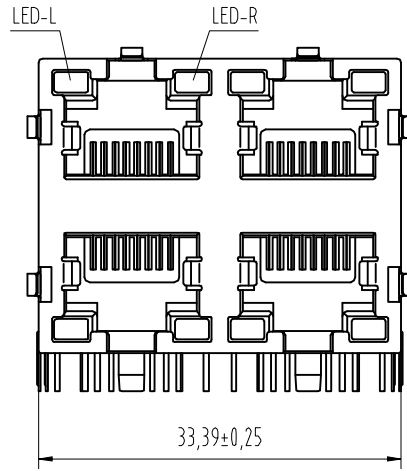


HSF



ROHS



PC Board Layout
Component Side Shown

SPECIFICATIONS:

- 1. Material:
 - 1.1 Housing: Glass Filled Polyester UL94V-0
 - 1.2 Contact: Phosphor Bronze, Φ 0.46mm
 - 1.3 Plating: Gold Plating Over Nickel
 - 2. Electrical Characteristic:
 - 2.1 Voltage Rating: 125 VAC RMS
 - 2.2 Current Rating: 1.5 AMP
 - 2.3 Contact Resistance: 45 Milliohms Max
 - 2.4 Insulation Resistance: 1000 Megohms Min@500V DC
 - 2.5 Dielectric Withstanding Resistance: 1000V AC RMS 60HZ, 1 Min
 - 3. Mechanical Characteristic:
 - 3.1 Durability: 750 Cycles Min
 - 3.2 PCB Retention PRE-Solder: 1 LB Min
 - 4. Environmental:
 - 4.1 Storage: -40° C To 85° C
 - 4.2 Operation: 0° C To 70° C
- Mates With Modular Plug Conforming To FCC Part 68, Subpart F

ATRJ5922 - 8P - 8C - X - C1 - H - B

- ①
- ②
- ③
- ④
- ⑤
- ⑥
- ⑦

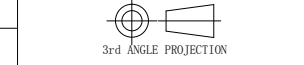
- ① SERIES NO:
 - ② NUMBER OF POSITIONS (10P, 8P, 6P, 4P)
 - ③ NUMBER OF CONTACTS (10C, 8C, 6C, 4C)
 - ④ Contact Plating
 - ⑤ Shield
 - ⑥ Ports
 - ⑦ LED STYLE:
- G0: Gold Flash
G1: 30" Gold
G2: 50" Gold
G3: 100" Gold
G4: 150" Gold
G5: 300" Gold
SN: Tin
- A: 1X1P
B: 1X2P
C: 1X4P
D: 1X5P
E: 1X6P
F: 1X8P
- G: 2X1P
H: 2X2P
I: 2X3P
J: 2X4P
K: 2X6P
L: 2X8P
- A: W/O Shield
B: Half Shield
C: Shield W/Eml
D: Shield W/O Eml
- A: W/O LED
B: LEFT YELLOW/RIGHT GREEN
C: LEFT GREEN/RIGHT YELLOW
D: LEFT RED/RIGHT GREEN
E: LEFT GREEN/RIGHT RED
F: LEFT YELLOW/RIGHT YELLOW
G: LEFT GREEN/RIGHT GREEN

Unless Otherwise specified tolerance
X. \pm 0.35 X.XX: \pm 0.20
X.X: \pm 0.25 X.XXX: \pm 0.15

Antenk ANTENK ELECTRONICS CO., LTD
[Http://www.antenk.com](http://www.antenk.com)
 E-mail: sales@antenk.com

SCALE: As Shown	UNIT: mm
DRAW Wu Feng Rong	DATE 22/03/2018
CHECK BobYang	DATE 22/03/2018

TITLE:
RJ45 Jack side entry 2X2P shielded with LED & EMI



DRAWING NO: ATRJ5922-8P8C-X-C1-H-B
 PRODUCT NO: ATRJ5922-8P8C-X-C1-H-B

REV	DESCRIPTION	DATE
1		
2		
3		
4		
5		