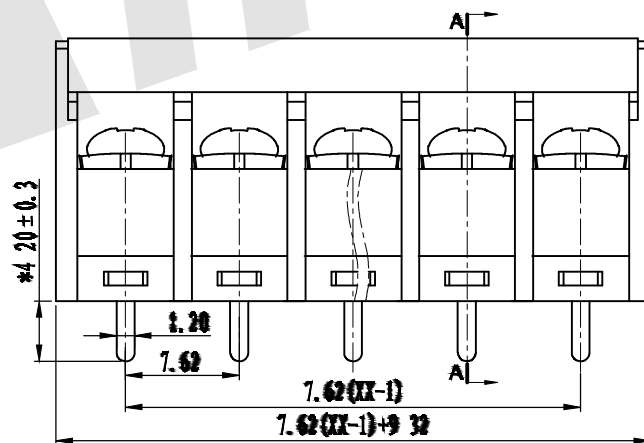
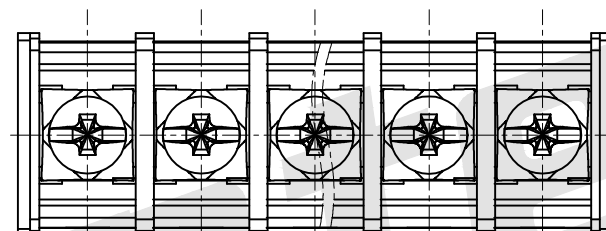
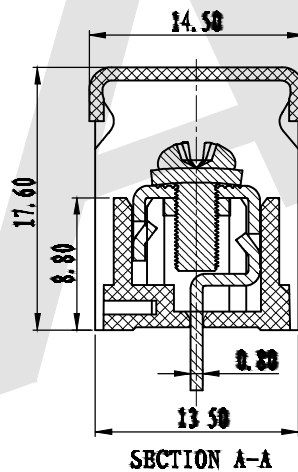


P.C.B. LAYOUT

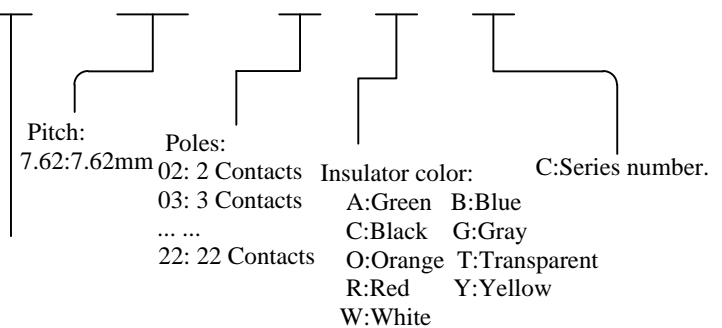


SPECIFICATION

Standard (参考标准): UL IEC
 Voltage Rating (额定电压): 300V 450V
 Current Rating (额定电流): 15A 17.5A
 Wire range (使用线径): 22-14AWG 1.5mm²
 Withstanding voltage (耐压): AC2000V/1Min
 Insulation resistance (绝缘电阻): 500MΩ/DC500V
 Temp Rang (温度范围): -40° C ~ +105° C
 Max Torque (最大锁紧力矩): 0.5Nm (4.5lb. in)
 Housing (塑件): PA66, UL94V-0
 Screw (螺丝): Steel, M3.0 Ni-Plated
 Terminal (端子): Brass 0.8t, Tin Plated
 Pitch (间距): 7.62mm
 Poles (极数): 2P-26P

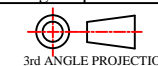
Ordering Code:

AT828 - 7.62 - XX - X - C



Unless Otherwise specified tolerance
 X.±0.35 X.XX:±0.20
 X.X:±0.25 X.XXX:±0.15

SCALE: As Shown UNIT: mm
 DRAW Wu Sai DATE 22/03/2018
 CHECK Bob Yang DATE 22/03/2018



Antenk ANTENK ELECTRONICS
 Http://www.antenk.com
 E-mail:sales@antenk.com

TITLE: Barrier Terminal Block Pitch:7.62mm

DRAWING NO: AT828-7.62XXX-C
 PRODUCT NO: AT828-7.62XXX-C

REV	DESCRIPTION	DATE
1		
2		
3		
4		
5		