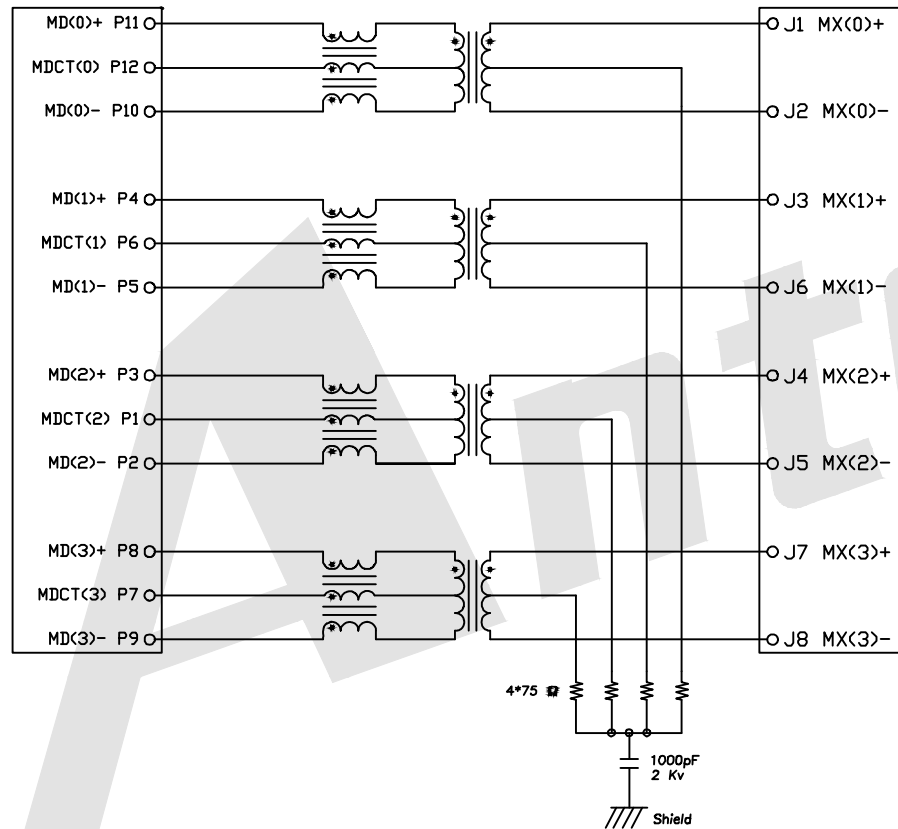




Schematics: 01

LAN CHIP SIDE

RJ CABLE SIDE



Electrical Characteristic:

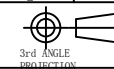
- TR:<100KHz,0.1V>;
INPUT TO OUTPUT=1:1±3%
- LX:<100KHz,100mV,8mA, DC Bias>
TRANSFORMER=350uH MINIMUM
- DCR:
EVERY RJ PAIR=1.2Ω MAXIMUM
- HIPDT:
INPUT TO OUTPUT : 1500Vrms, 60sec AT 60Hz
- INSERTION LOSS:
-0.8dB MAXIMUM AT 0.3MHz TO 100MHz;
-1.2dB MAXIMUM AT 100MHz TO 125MHz
- RETURN LOSS:
-20dB MINIMUM AT 1MHz TO 10MHz;
-16dB MINIMUM AT 30MHz;
-12dB MINIMUM AT 60MHz TO 100MHz;
- CROSS TALK:
-40dB MINIMUM AT 1MHz TO 10MHz
-35dB MINIMUM AT 30MHz TO 60MHz
-30dB MINIMUM AT 60MHz TO 100MHz
- COMMON TO COMMON MODE REJECTION:
-30dB MINIMUM AT 300KHz TO 100MHz
- OPERATING TEMPERATURE : -40°C~+85°C

Unless Otherwise specified tolerance
 X. ±0.35 X.XX: ±0.20
 X.X: ±0.25 X.XXX: ±0.15

Antenk ANTENK ELECTRONICS CO.,LTD
[Http://www.antenk.com](http://www.antenk.com)
 E-mail:sales@antenk.com

SCALE: As Shown UNIT: mm
 DRAW Wu Sai DATE 22/03/2018
 CHECK BobYang DATE 22/03/2018

TITLE: RJ45 TAB DOWN CONNECTORS, W/LED, W/TRANSFORMERS
 PRODUCT, 10/100 BASE-T SLIM TYPE



DRAWING NO: ATRT-7-A-X-X-01-002

PRODUCT NO: ATRT-7-A-X-X-01-002

D

D

| REV | DESCRIPTION | DATE |
|-----|-------------|------|
| | | |
| | | |
| | | |

1

2

3

4

5

6

7

8