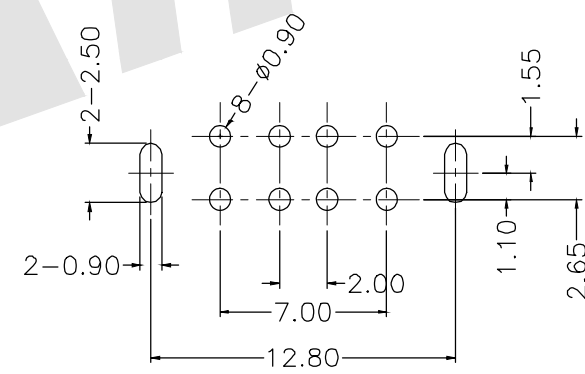
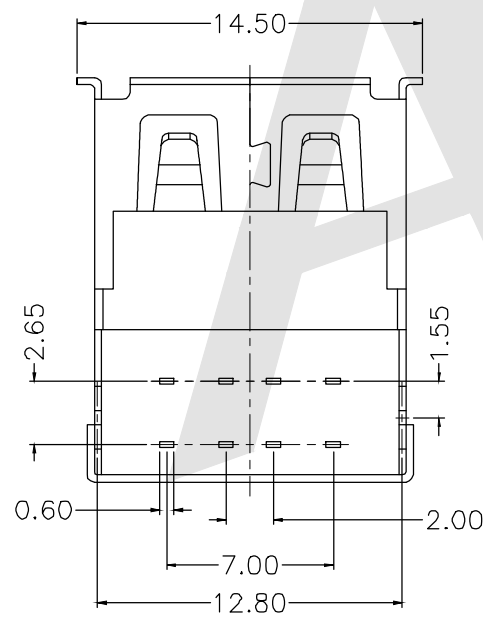
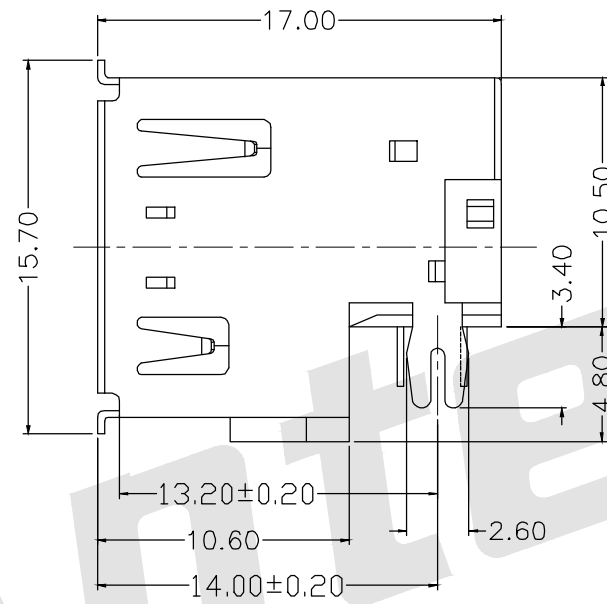
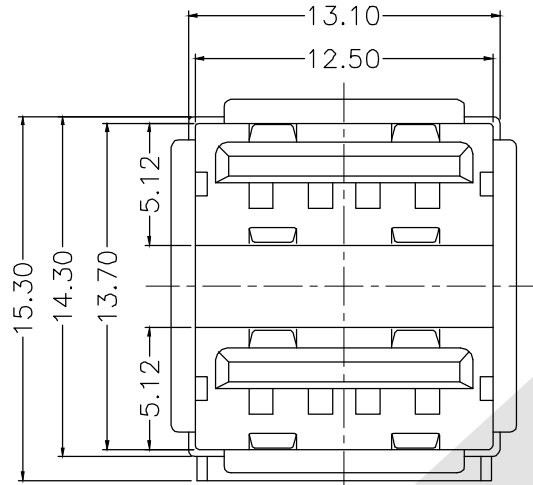


HSF



NOTES:

1. MATERIAL SPECIFICATION:
  - 1) HOUSING MATERIAL: SEE PART NO.
  - 2) SHELL MATERIAL: SEE PART NO. T: 0.30mm  
PLATING: SEE PART NO.
  - 3) BACK COVER MATERIAL: SPCC T: 0.30mm  
PLATING: NICKEL.
  - 4) SHRAPNEL MATERIAL: SEE PART NO. T: 0.30mm
  - 5) TERMINAL: COPPER ALLOY T: 0.25mm  
PLATING: SEE PART NO.
2. ELECTRICAL CHARACTERISTIC:
  - 1) VOLTAGE CURRENT RATING: 1AMP, 30V DC;
  - 2) INSULATION RESISTANCE: 1000M Ω MIN
  - 3) CONTACT RESISTANCE: 30m Ω MAX
  - 4) WITHSTANDING VOLTAGE: 500V AC;
3. MECHANICAL:
  - 1) MATING FORCE: 3.57 KG MAX
  - 2) UNMATING FORCE: 1.02 KG MIN.

Ordering Code:

UAFR16 - X - X - X - X - X - X  
 ① ② ③ ④ ⑤ ⑥ ⑦

- |                       |                        |
|-----------------------|------------------------|
| ① Series No:          | ⑤ Contact Plating      |
| ② Shell Material:     | G0: Gold flash         |
| B: Brass I: Iron      | G1: 3u" Gold           |
| S: stainless steel    | G2: 5u" Gold           |
| ③ Insulator Material: | G3: 10u" Gold          |
| P: PBT+30%GF          | G4: 15u" Gold          |
| L: LCP                | G5: 30u" Gold          |
| ④ Contact Material:   | ⑥ Color Insulator      |
| B: Brass              | A: White B: Black      |
| P: phosphor copper    | ⑦ Packing              |
|                       | A: Tray B: Bag         |
|                       | C: Tube D: Tape & Reel |

Unless Otherwise specified tolerance  
 X. ±0.35 X.XX: ±0.20  
 X.X: ±0.25 X.XXX: ±0.15

**Antenk**® ANTENK ELECTRONICS CO., LTD  
 Http://www.antenk.com  
 E-mail: sales@antenk.com

SCALE: As Shown	UNIT: mm
DRAW Lv Xun Hua	DATE 17/06/2019
CHECK BobYang	DATE 17/06/2019

TITLE:  
USB A TYPE FEMALE DOUBLE STACKED, Drop In version, Dip 90°



REV	DESCRIPTION	DATE
1		
2		
3		
4		
5		

DRAWING NO: UAFR16-XXXXXX  
 PRODUCT NO: UAFR16-XXXXXX