

### SPECIFICATIONS:

Voltage rating: 100V AC/DC  
 Current rating: 2A AC/DC  
 Withstanding Voltage: 800V AC/minute  
 Insulation resistance: 1000MΩ Min.  
 Temperature range: -25°C To +85°C  
 Contact resistance: 20mΩ Max.

### Standards

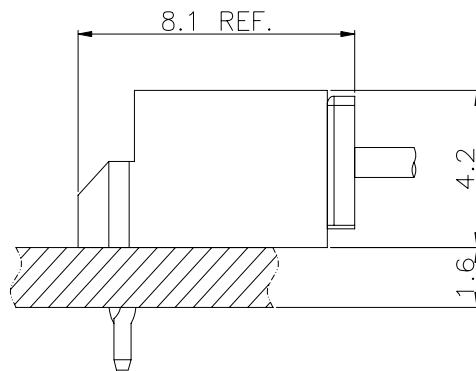
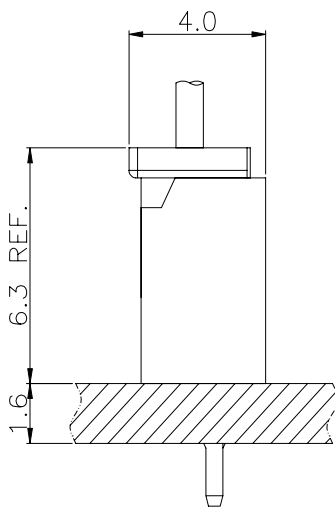
HSF



RoHS

Wire to Board

### Assembly Layout



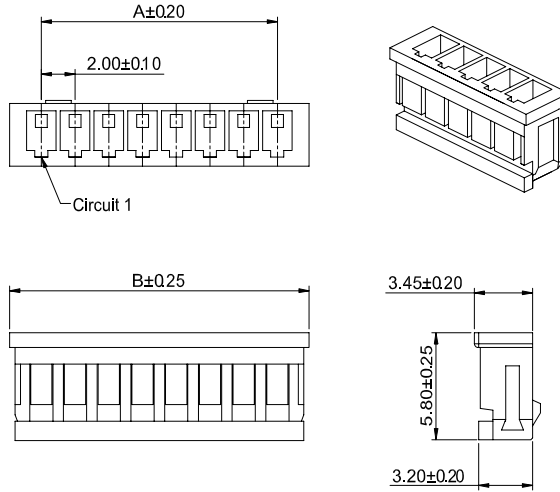
DIP TYPE

Connectors Expert Around You

## 2.00mm Pitch housing connector

### HOUSING

- Part NO.:AH2010-NP
- Poles:02-15P
- Suitable:AT2010T series Terminal
- Mates with:AW2010 series Wafer
- Material:Nylon 66,UL94v-0
- Color:White



### Ordering Information & Dimensions:

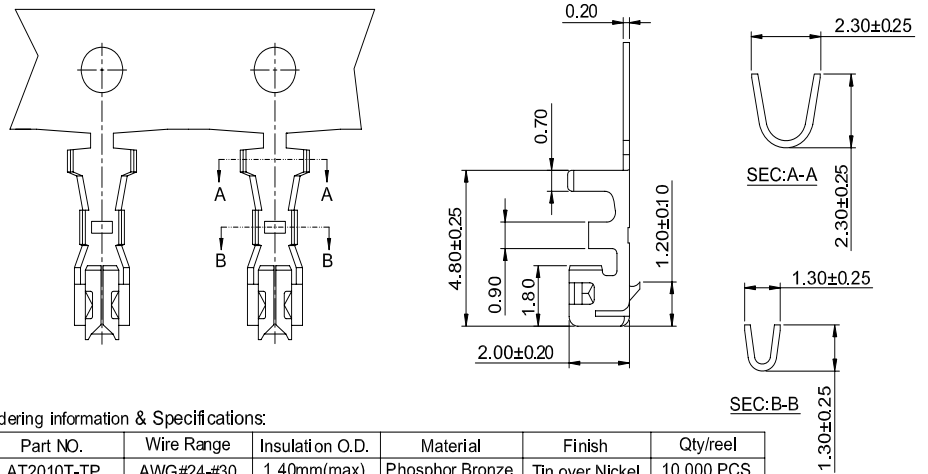
Poles	Part No.	Dimensions(mm)	
		A	B
2	AH2010-02P	2.00	5.80
3	AH2010-03P	4.00	7.80
4	AH2010-04P	6.00	9.80
5	AH2010-05P	8.00	11.80
6	AH2010-06P	10.00	13.80
7	AH2010-07P	12.00	15.80
8	AH2010-08P	14.00	17.80
9	AH2010-09P	16.00	19.80
10	AH2010-10P	18.00	21.80
11	AH2010-11P	20.00	23.80
12	AH2010-12P	22.00	25.80
13	AH2010-13P	24.00	27.80
14	AH2010-14P	26.00	29.80
15	AH2010-15P	28.00	31.80

Wire to Board

## 2.00mm Pitch crimp terminal connector

### TERMINAL

- Part NO.:AT2010T-XP
- Applicable wire:AWG#24-#30
- Material:Phosphor Bronze
- Finish:Tin Plated or Gold
- Used in AH2010 series Housing



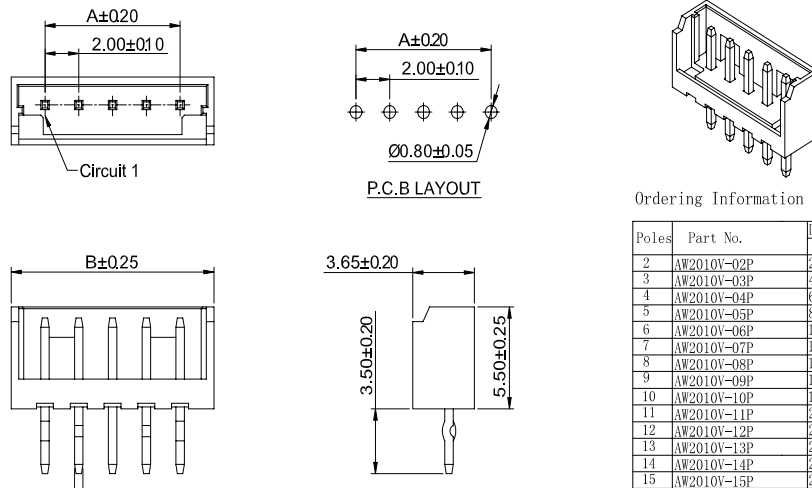
### Ordering information & Specifications:

Part NO.	Wire Range	Insulation O.D.	Material	Finish	Qty/reel
AT2010T-TP	AWG#24-#30	1.40mm(max)	Phosphor Bronze	Tin over Nickel	10,000 PCS
AT2010T-GP	AWG#24-#30	1.40mm(max)	Phosphor Bronze	Gold over Nickel	10,000 PCS

## 2.00mm Pitch 180° wafer connector

### WAFER

- Part NO.:AW2010V-NP
- Material:Pin:Brass/Tin over Nickel
- Insulator:Nylon 6T,UL94V-0
- Mates with:AH2010 series Housing
- Color:White



### Ordering Information & Dimensions:

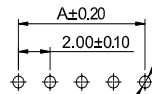
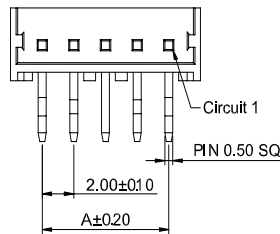
Poles	Part No.	Dimensions (mm)	
		A	B
2	AW2010V-02P	2.00	6.00
3	AW2010V-03P	4.00	8.00
4	AW2010V-04P	6.00	10.00
5	AW2010V-05P	8.00	12.00
6	AW2010V-06P	10.00	14.00
7	AW2010V-07P	12.00	16.00
8	AW2010V-08P	14.00	18.00
9	AW2010V-09P	16.00	20.00
10	AW2010V-10P	18.00	22.00
11	AW2010V-11P	20.00	24.00
12	AW2010V-12P	22.00	26.00
13	AW2010V-13P	24.00	28.00
14	AW2010V-14P	26.00	30.00
15	AW2010V-15P	28.00	32.00

Connectors Expert Around You

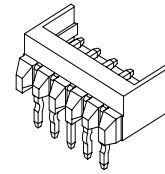
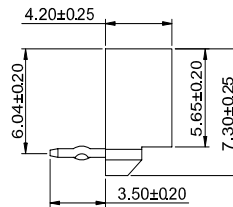
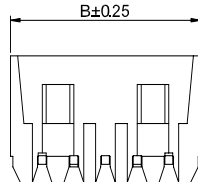
## 2.00mm Pitch 90° wafer connector

WAFER

- Part NO.:AW2010R-NP
- Material:Pin:Brass/Tin over Nickel  
Insulator:Nylon 6T,UL94V-0
- Mates with:AH2010 series Housing
- Color:White



P.C.B LAYOUT



Ordering Information & Dimensions:

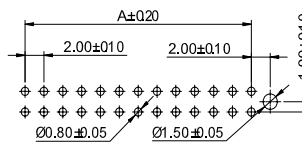
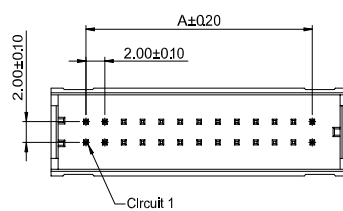
Poles	Part No.	Dimensions (mm)	
		A	B
2	AW2010R-02P	2.00	6.00
3	AW2010R-03P	4.00	8.00
4	AW2010R-04P	6.00	10.00
5	AW2010R-05P	8.00	12.00
6	AW2010R-06P	10.00	14.00
7	AW2010R-07P	12.00	16.00
8	AW2010R-08P	14.00	18.00
9	AW2010R-09P	16.00	20.00
10	AW2010R-10P	18.00	22.00
11	AW2010R-11P	20.00	24.00
12	AW2010R-12P	22.00	26.00
13	AW2010R-13P	24.00	28.00
14	AW2010R-14P	26.00	30.00
15	AW2010R-15P	28.00	32.00

Wire to Board

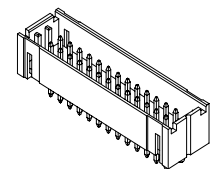
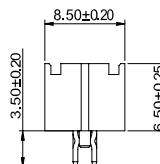
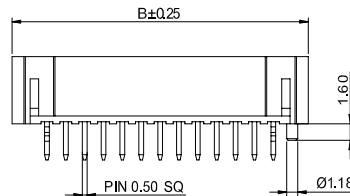
## 2.00mm Pitch 180° dual row wafer connector

WAFER

- Part NO.:AW2010VA-2xNP
- Material:Pin:Brass/Tin over Nickel  
Insulator:Nylon 6T,UL94V-0
- Mates with:AH2010A-2xNP series  
Dual Row Housing
- Color:Gray



P.C.B LAYOUT



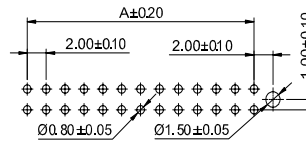
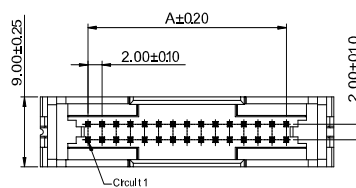
Ordering Information & Dimensions:

Poles	Part No.	Dimensions (mm)	
		A	B
4	AW2010VA-2x02P	2.00	9.40
6	AW2010VA-2x03P	4.00	11.40
8	AW2010VA-2x04P	6.00	13.40
10	AW2010VA-2x05P	8.00	15.40
12	AW2010VA-2x06P	10.00	17.40
14	AW2010VA-2x07P	12.00	19.40
16	AW2010VA-2x08P	14.00	21.40
18	AW2010VA-2x09P	16.00	23.40
20	AW2010VA-2x10P	18.00	25.40
22	AW2010VA-2x11P	20.00	27.40
24	AW2010VA-2x12P	22.00	29.40
26	AW2010VA-2x13P	24.00	31.40
28	AW2010VA-2x14P	26.00	33.40
30	AW2010VA-2x15P	28.00	35.40
32	AW2010VA-2x16P	30.00	37.40
34	AW2010VA-2x17P	32.00	39.40
40	AW2010VA-2x20P	38.00	45.40
50	AW2010VA-2x25P	48.00	55.40
60	AW2010VA-2x30P	58.00	65.40

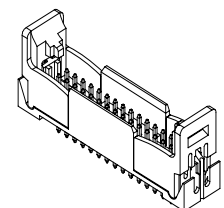
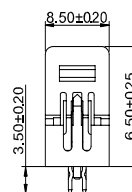
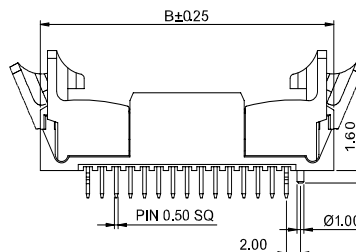
## 2.00mm Pitch 180° dual row wafer connector

WAFER

- Part NO.:AW2010VB-2xNP
- Material:Pin:Brass/Tin over Nickel  
Insulator:Nylon 6T,UL94V-0
- Mates with:AH2010A-2xNP series  
Dual Row Housing
- Color:Gray



P.C.B LAYOUT



Ordering Information & Dimensions:

Poles	Part No.	Dimensions (mm)	
		A	B
30	AW2010VB-2x15P	28.00	41.40
34	AW2010VB-2x17P	32.00	45.40
40	AW2010VB-2x20P	38.00	47.40
50	AW2010VB-2x25P	48.00	49.40
60	AW2010VB-2x30P	58.00	51.40