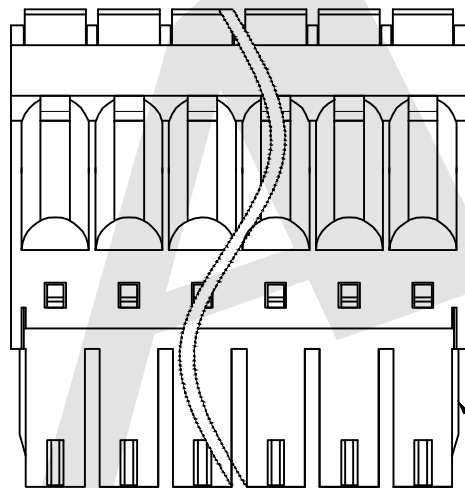
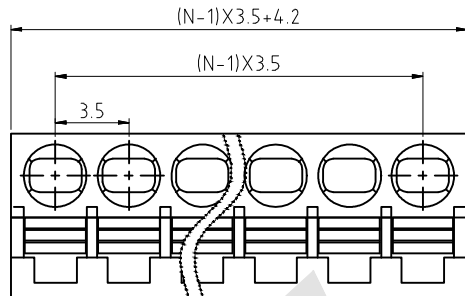
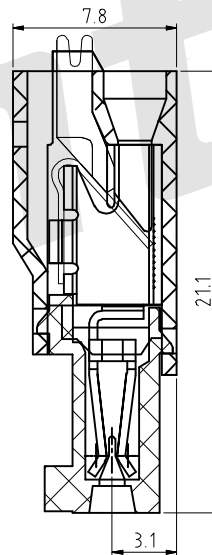


HSF



2P to 6P with wedge, above 7P
without wedge (including 7P)

N=NUMBER OF CONTACTS



SPECIFICATIONS:

1. Electrical Characteristics:

- 1.1 Contact Current Rate: 12AMP/Way max
- 1.2 Insulation Resistance: 500MΩ Minimum
- 1.3 Contact Resistance: 20MΩ Maximum
- 1.4 Withstanding Voltage: 2500V AC For One Minute
- 1.5 Wire range: 16-24AWG

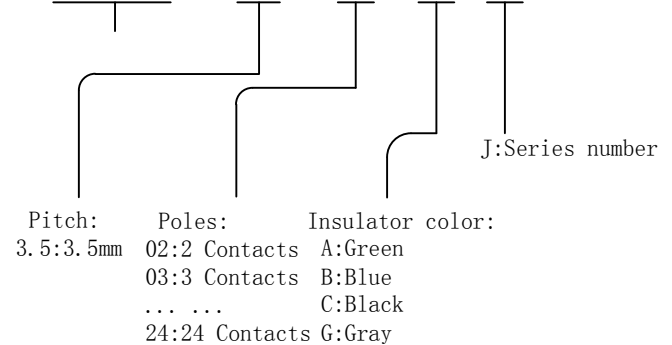
2. Material:

- 2.1 Insulator: Polyamide UL94V-0
- 2.2 Spring clamp: Stainless steel
- 2.3 Terminal: Copper alloy with tin plated

3. Mechanical Characteristic:

- 3.1 Soldering reliability:
Test temperature = 250° C ± 10° C, 5 seconds max
- 3.2 Operating temperature: -40° C To +105° C

AT2500F - 3.5 - XX - X - J

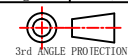


Unless Otherwise specified tolerance
X. ±0.35 X.XX: ±0.20
X.X: ±0.25 X.XXX: ±0.15

Antenk ANTENK ELECTRONICS CO., LTD
Http://www.antenk.com
E-mail: sales@antenk.com

SCALE: As Shown	UNIT: mm
DRAW Robin	DATE 06/02/2015
CHECK BobYang	DATE 06/02/2015

TITLE:
Plug-in Terminal Block Pitch: 3.5



DRAWING NO: AT2500F-3.5XXX-J
PRODUCT NO: AT2500F-3.5XXX-J

REV	DESCRIPTION	DATE