

SPECIFICATIONS:

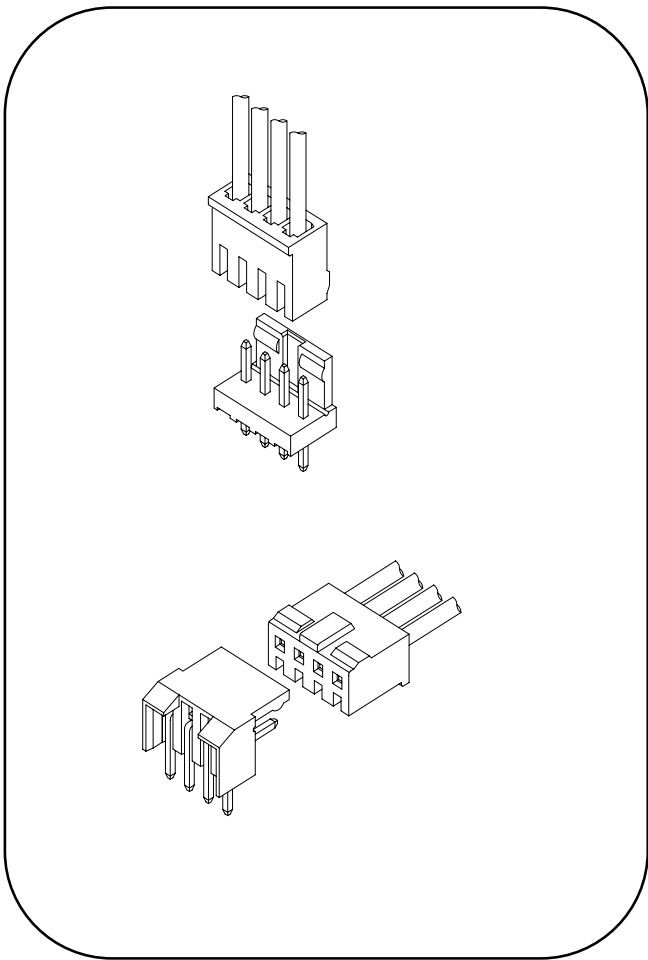
Voltage rating: 250V AC/DC
 Current rating: 3A AC/DC
 Withstanding Voltage: 1000V AC/minute
 Insulation resistance: 1000MΩ Min.
 Temperature range: -25°C To +85°C
 Contact resistance: 20mΩ Max.

Standards

HSF

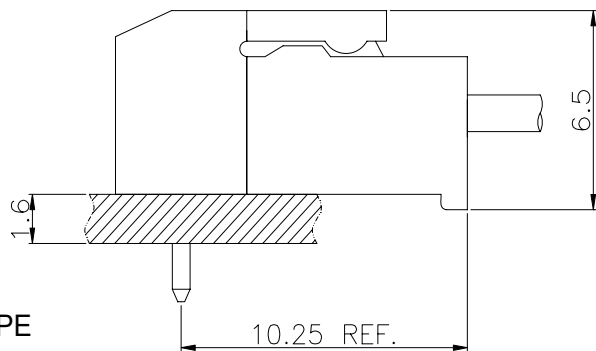
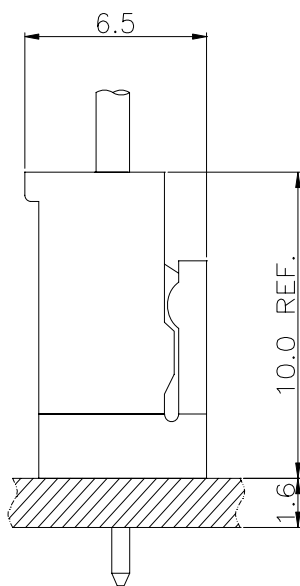


RoHS



Wire to Board

Assembly Layout



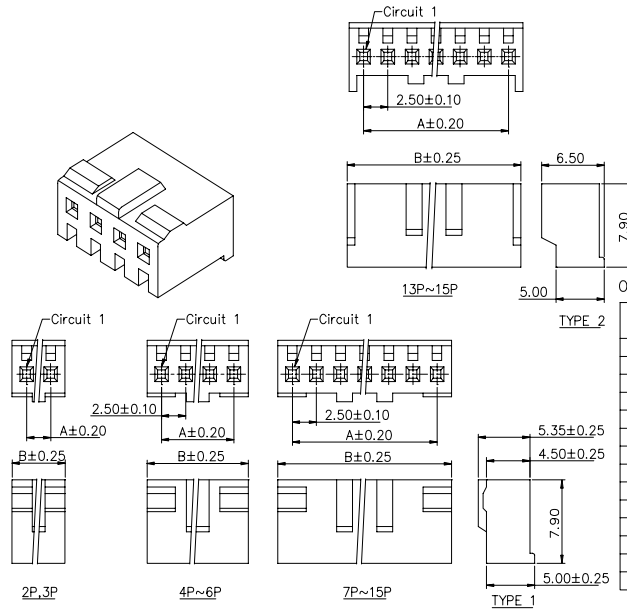
DIP TYPE

Connectors Expert Around You

2.50mm Pitch housing connector

HOUSING

- Part NO.:AH2507H-XP
- Suitable:AT2507-T series Terminal
- Mates with: A2507WV,WR,WR-S-XP series Wafer and A2507HM-2P Housing
- Material:Nylon 66,UL94V-0
- Color:Brown



Ordering Information:
A2507H-XP - * - ***

- Part No.
- Style:
(blank)-Type 1
2-Type 2
- Material:
(Blank):Nylon 66,UL94V-0

Ordering Information & Dimensions:

PART NO.	Dimensions	
	A	B
2P	2.50	5.50
3P	5.00	8.00
4P	7.50	10.50
5P	10.00	13.00
6P	12.50	15.50
7P	15.00	18.00
8P	17.50	20.50
9P	20.00	23.00
10P	22.50	25.50
11P	25.00	28.00
12P	27.50	30.50
13P	30.00	33.00
14P	32.50	35.50
15P	35.00	38.00

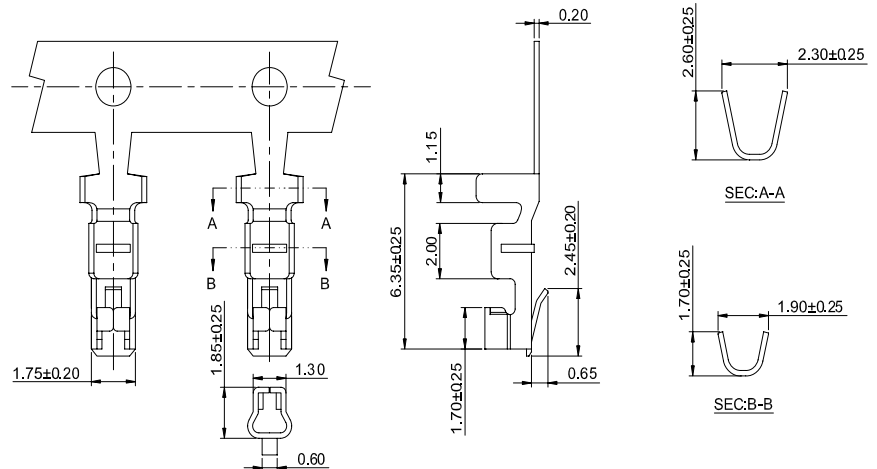
Unit: mm

Wire to Board

2.50mm Pitch crimp terminal connector

TERMINAL

- Part NO.:AT2507T-xP
- Applicable wire:AWG#22-#28
- Material:Phosphor Bronze
- Finish:Tin Plated or Gold
- Used in AH2507 series Housing



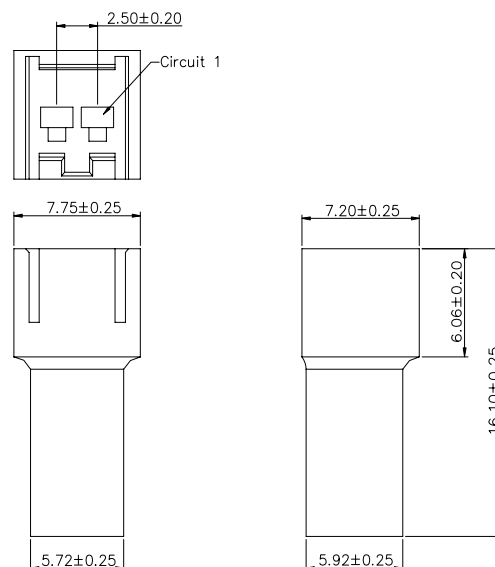
Ordering information & Specifications:

Part NO	Wire Range	Insulation O.D.	Material	Finish	Qty/reel
AT2507T-TP	AWG#22-#28	1.90mm(max)	Phosphor Bronze	Tin over Nickel	10,000 PCS
AT2507T-GP	AWG#22-#28	1.90mm(max)	Phosphor Bronze	Gold over Nickel	10,000 PCS

2.50mm Pitch housing connector

HOUSING

- Part NO.:AH2507M-2P
- Suitable:AT2507TM series Terminal
- Mates with:AH2507-2P series Housing
- Material:Nylon 66,UL94V-0
- Color:Brown

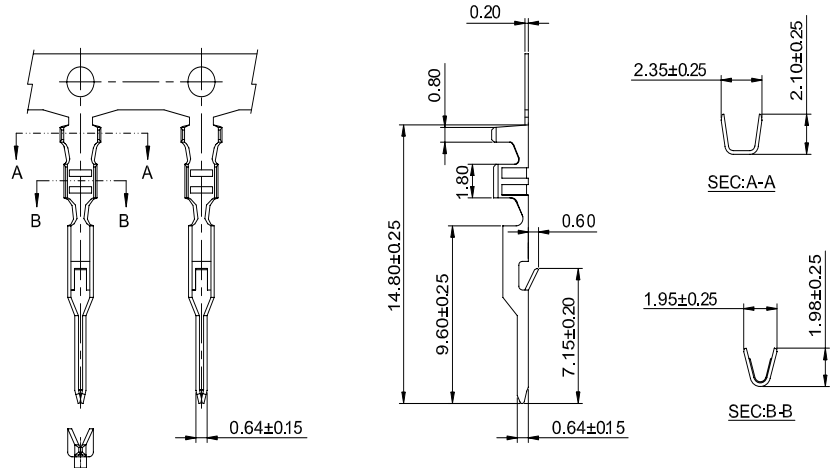


Connectors Expert Around You

2.50mm Pitch crimp terminal connector

TERMINAL

- Part NO.:AT2507TM-xP
- Applicable wire:AWG#22-#28
- Material:Phosphor Bronze
- Finish:Tin Plated or Gold
- Used in AH2507M series Housing



Ordering information & Specifications:

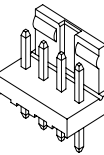
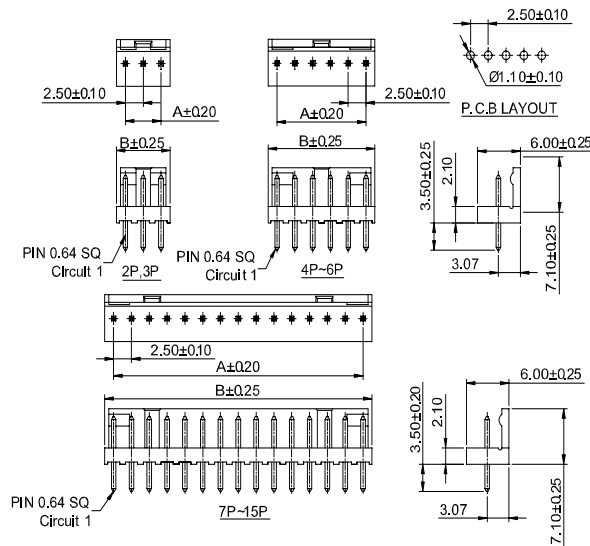
Part NO.	Wire Range	Insulation O.D.	Material	Finish	Qty/reel
AT2507TM-TB	AWG #22-#28	1.00mm(max)	Brass	Tin over Nickel	10,000 PCS
AT2507TM-TP	AWG #22-#28	1.00mm(max)	Phosphor Bronze	Tin over Nickel	10,000 PCS
AT2507TM-GB	AWG #22-#28	1.00mm(max)	Brass	Gold over Nickel	10,000 PCS
AT2507TM-GP	AWG #22-#28	1.00mm(max)	Phosphor Bronze	Gold over Nickel	10,000 PCS

Wire to Board

2.50mm Pitch 180° wafer connector

WAFER

- Part NO.:AW2507V-xP
- Material:Pin:Brass/Tin over Nickel
- Insulator:Nylon 66,UL94V-0
- Mates with:AH2507 series Housing
- Color: Brown



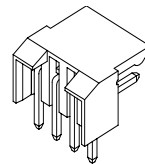
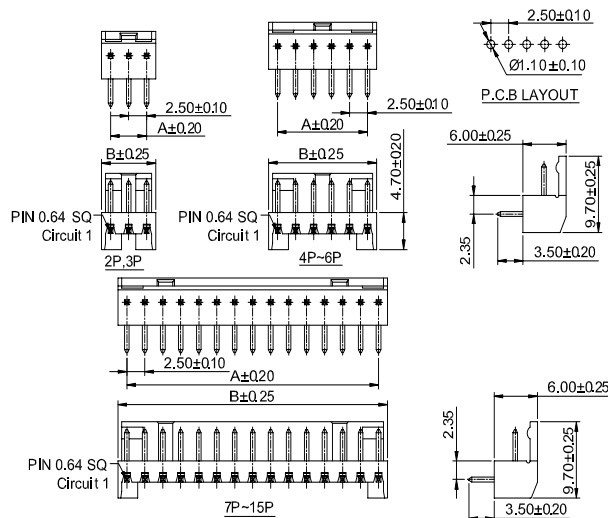
Ordering Information & Dimensions

PART NO.	Dimensions	
	A	B
AW2507V-2P	2.50	5.00
AW2507V-3P	5.00	7.50
AW2507V-4P	7.50	10.00
AW2507V-5P	10.00	12.50
AW2507V-6P	12.50	15.00
AW2507V-7P	15.00	17.50
AW2507V-8P	17.50	20.00
AW2507V-9P	20.00	22.50
AW2507V-10P	22.50	25.00
AW2507V-11P	25.00	27.50
AW2507V-12P	27.50	30.00
AW2507V-13P	30.00	32.50
AW2507V-14P	32.50	35.00
AW2507V-15P	35.00	37.50

2.50mm Pitch 90° wafer connector

WAFER

- Part NO.:AW2507R-xP
- Material:Pin:Brass/Tin over Nickel
- Insulator:Nylon 66,UL94V-0
- Mates with:AH2507 series Housing
- Color:Brown



Ordering Information & Dimensions

PART NO.	Dimensions	
	A	B
AW2507R-2P	2.50	5.00
AW2507R-3P	5.00	7.50
AW2507R-4P	7.50	10.00
AW2507R-5P	10.00	12.50
AW2507R-6P	12.50	15.00
AW2507R-7P	15.00	17.50
AW2507R-8P	17.50	20.00
AW2507R-9P	20.00	22.50
AW2507R-10P	22.50	25.00
AW2507R-11P	25.00	27.50
AW2507R-12P	27.50	30.00
AW2507R-13P	30.00	32.50
AW2507R-14P	32.50	35.00
AW2507R-15P	35.00	37.50