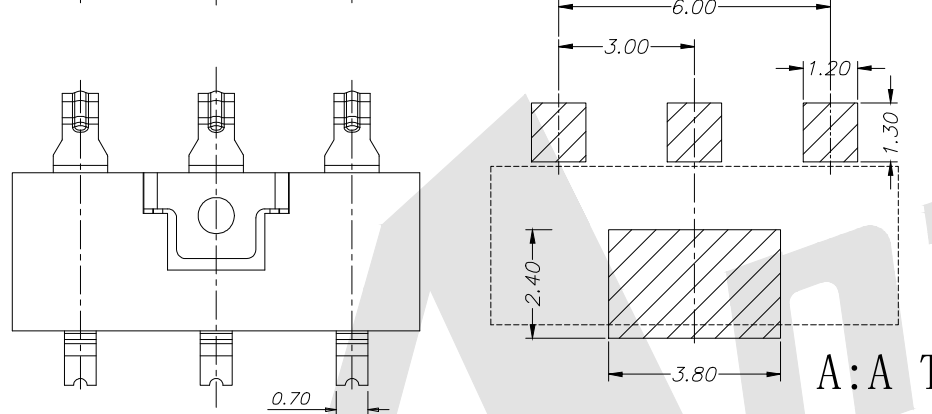
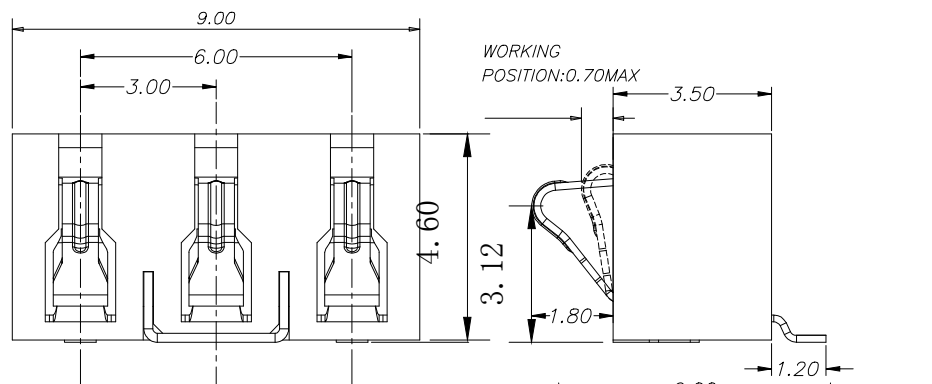
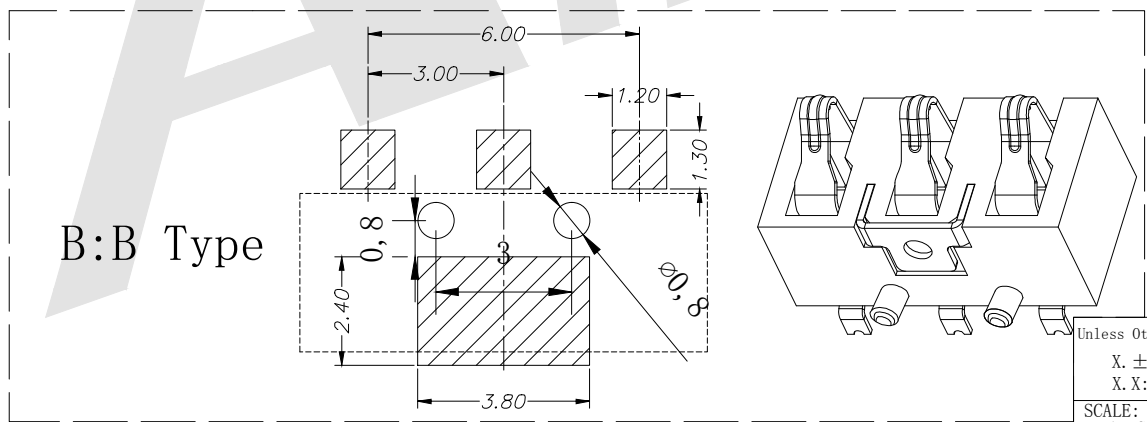


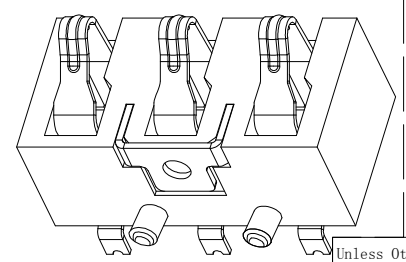
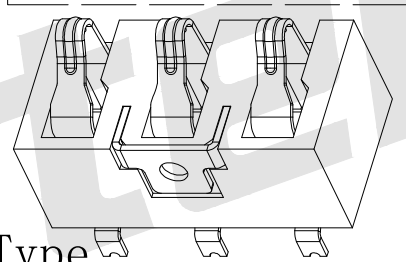
HSF



A:A Type



B:B Type



SPECIFICATION:
1. MATERIALS:
 1.1 PIN: Copper alloy
 1.2 Finish: Contact: gold flash all over 50-100 micro inch (1.27-2.54 micron) nickel under plated all over
 1.3 Solder tab: 50-100 (1.27-2.54 micron) micro inch tin 10-100 micro inch (1.27-2.54 micron) nickel under plated
2. Electrical Characteristic:
 2.1 Voltage rating : 250 V AC min
 2.2 Current rating: 2.0A min
 2.3 Dielectric strength : 1000VAC for 1 minute min
 2.4 Insulation resistance: 1000 meg ohm min
 2.5 Contact resistance: 30 milliohm max
 2.6 Operation temperature: -55°C - +125°C
 2.7 Product withstanding reflow soldering 260° for 10s
3. Mechanical Characteristic:
 3.1 Durability: 5000 cycles
 3.2 Normal force at mated position: 100g min
 3.3 Normal force at full stroke: 110g min

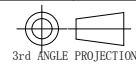
Ordering Code:

ABT22 - 03 - L - C - X - D
 ① ② ③ ④ ⑤ ⑥

- ① Series No:
- ② No. of Contacts
03: 03Pin
- ③ Insulator Material:
P: PBT+30%GF
L: LCP
- ④ Pitch
C: 3.0mm Pitch
- ⑤ Contact Plating:
G0: Gold flash
G1: 3u" gold
G2: 5u" gold
G3: 10u" gold
G4: 15u" gold
G5: 30u" gold
- ⑥ Packing:
A: Tray
B: Bag
C: Tube
D: Tape Reel

Unless Otherwise specified tolerance
 X. ±0.35 X.XX: ±0.20
 X.X: ±0.25 X.XXX: ±0.15

SCALE: As Shown	UNIT: mm
DRAW Wu Feng Rong	DATE 15/03/2020
CHECK BobYang	DATE 15/03/2020



Antenk® ANTENK ELECTRONICS CO., LTD
 Http://www.antenk.com
 E-mail: sales@antenk.com

TITLE:
3 Circuit Battery Connector 3.0 Centers

DRAWING NO: ABT22-03LCXD
 PRODUCT NO: ABT22-03LCXD

REV	DESCRIPTION	DATE