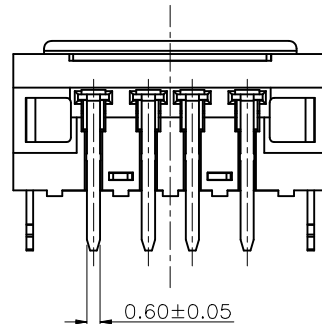
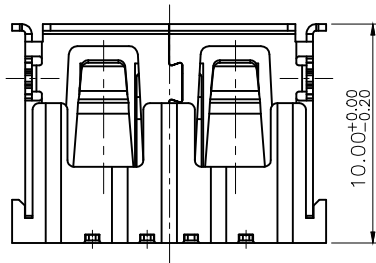
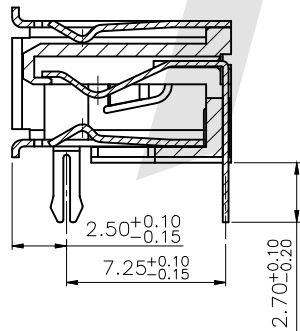
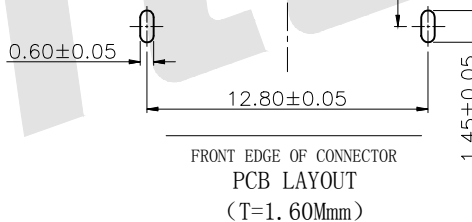
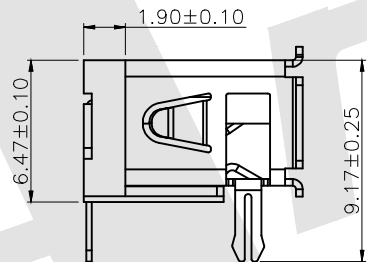
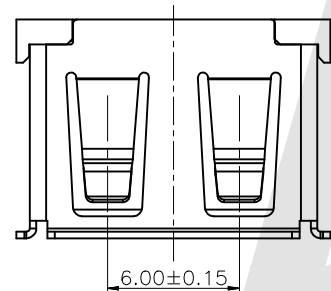
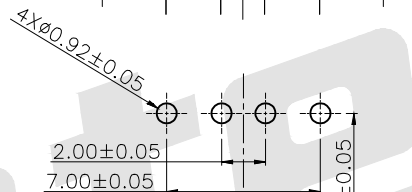
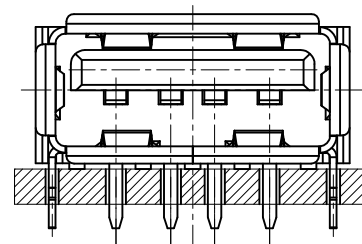
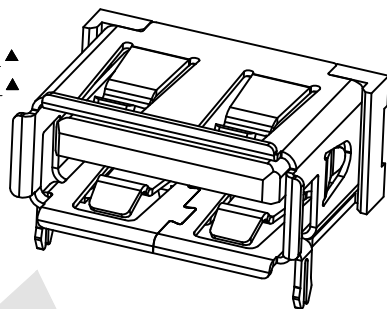
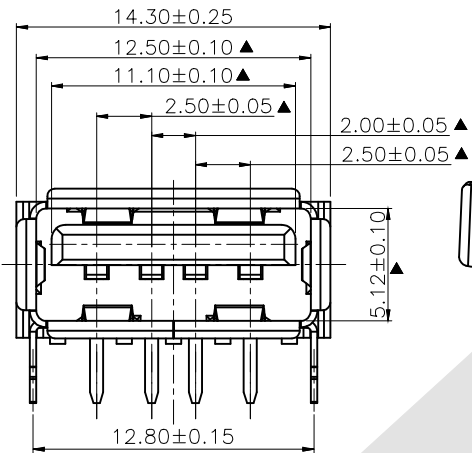


HSF



Specifications:

Current Rating: 1.5A Max  
 Contact Resistance: 30 milliohms MAX  
 Dielectric Withstanding Voltage: 500V AC AT Sea Level  
 Insulation Resistance: 1000 Megohms MIN  
 Housing: PA66, UL94 V-0; BLACK  
 Contact: T=0.30±0.02mm; Phosphor Bronze (C5191R-H)  
 Shell: T=0.30±0.02mm; Phosphor Bronze (C5191R-H)

Ordering Code:

UAFR09 - X - X - X - X - X - X  
 ① ② ③ ④ ⑤ ⑥ ⑦

- ① Series No:
- ② Shell Material:  
B:Brass  
I:Iron  
S:stainless steel
- ③ Insulator Material:  
P:PBT+30%GF  
L:LCP
- ④ Contact Material:  
B:Brass  
P:phosphor copper
- ⑤ Contact Plating:  
G0: Gold flash  
G1: 3u" Gold  
G2: 5u" Gold  
G3: 10u" Gold  
G4: 15u" Gold  
G5: 30u" Gold
- ⑥ Color Insulator:  
A:White  
B:Black
- ⑦ Packing:  
A:Tray  
B:Bag  
C:Tube  
D:Tape & Reel

Unless Otherwise specified tolerance  
 X. ±0.35 X.XX: ±0.20  
 X.X: ±0.25 X.XXX: ±0.15

**Antenk** ANTENK ELECTRONICS CO., LTD  
[Http://www.antenk.com](http://www.antenk.com)  
 E-mail:sales@antenk.com

SCALE: As Shown UNIT: mm  
 DRAW Lv Xun Hua DATE 17/06/2019  
 CHECK BobYang DATE 17/06/2019

TITLE: USB A Type Receptacle Angle  
 DIP12.80mm Short Body 10MM(2legs)



DRAWING NO: UAFR09-XXXXXX  
 PRODUCT NO: UAFR09-XXXXXX

REV	DESCRIPTION	DATE