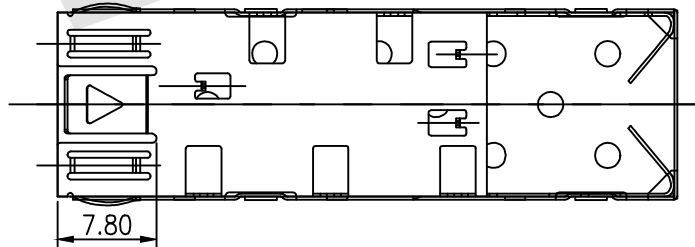
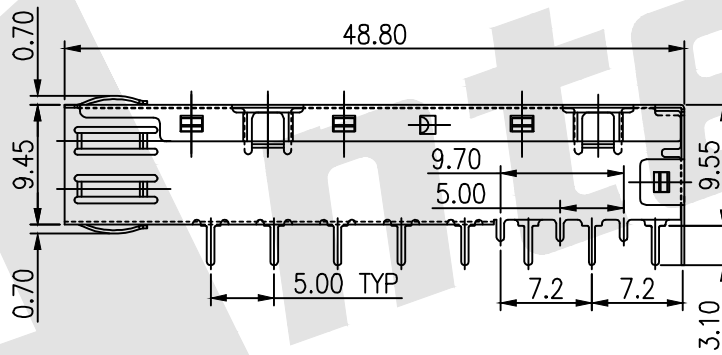
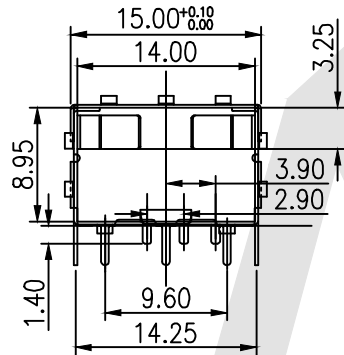
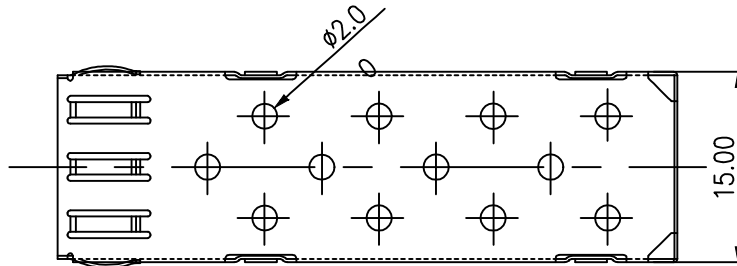


HSF



ROHS



NOTE:

1. DESCRIPTION MATERIAL PLATING
 (1) SFP TOP CAGE COPPER ALLOY
 T=0.25 NI FOR ALL
 (2) SFP BOTTOM CAGE COPPER ALLOY
 T=0.25 NI FOR ALL
2. TEMPRATURE:
 OPERATION: -40°C ~ +85°C
 STORAGE: -40°C ~ +85°C
3. ROHS COMPLIANT
4. PART NUMBER : SFP006

Order code:

ATSFP - 006

① ②

① SFP CAGE

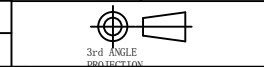
② Series number

Unless Otherwise specified tolerance
 X. ±0.35 X.XX: ±0.20
 X.X: ±0.25 X.XXX: ±0.15

Antenk® ANTENK ELECTRONICS CO.,LTD
 Http://www.antenk.com
 E-mail:sales@antenk.com

SCALE: As Shown UNIT: mm
 DRAW Wu Sai DATE 22/03/2018
 CHECK BobYang DATE 22/03/2018

TITLE:
 SFP CAGE 1 PORT



DRAWING NO: ATSFP-006
 PRODUCT NO: ATSFP-006

D

D

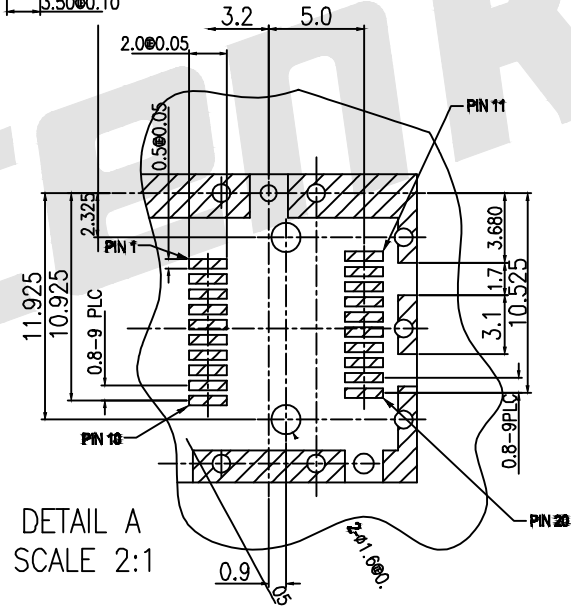
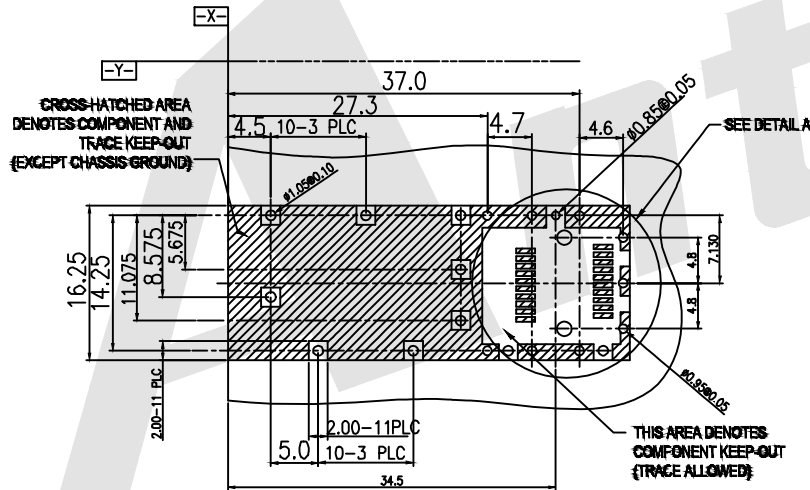
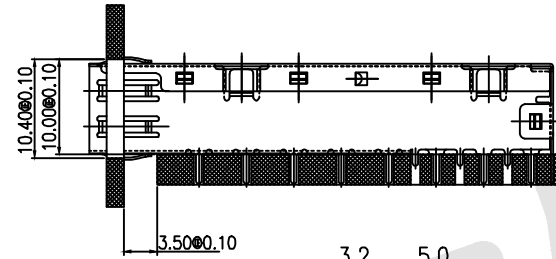
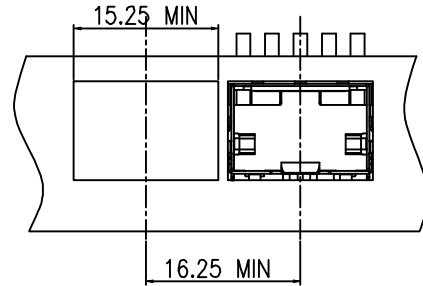
REV	DESCRIPTION	DATE

1 2 3 4 5 6 7 8

HSF



ROHS



DETAIL A
SCALE 2:1

PCB LAYOUT THICKNESS=3.0mm (TOP VIEW)

Unless Otherwise specified tolerance
 X. ±0.35 X.XX: ±0.20
 X.X: ±0.25 X.XXX: ±0.15

Antenk ANTENK ELECTRONICS CO.,LTD
[Http://www.antenk.com](http://www.antenk.com)
 E-mail:sales@antenk.com

SCALE: As Shown UNIT: mm
 DRAW Wu Sai DATE 22/03/2018
 CHECK BobYang DATE 22/03/2018

TITLE: SFP CAGE 1 PORT
 DRAWING NO: ATSF06-006
 PRODUCT NO: ATSF06-006



3rd ANGLE PROJECTION

REV	DESCRIPTION	DATE

1 2 3 4 5 6 7 8