

HSF



RoHS

| | 09pin | 15pin | 25pin | 37pin |
|---|-------|-------|-------|-------|
| A | 16.33 | 24.66 | 38.38 | 54.84 |
| B | 24.99 | 33.32 | 47.04 | 63.50 |
| C | 30.80 | 39.10 | 53.00 | 69.30 |
| D | 11.86 | 19.50 | 32.15 | 48.76 |

Material:

Housing: Temperature Thermoplastics, PBT+G. F UL 94V-0

Contact: Brass or Bronze

Shell: 0.35T Steel Nickel Plating All Area

Electical Characteristics:

Current Rating: 5A

Contact Resistance: 20 milliohms Max

Withstanding Voltage: 500V AC For 1 Minute

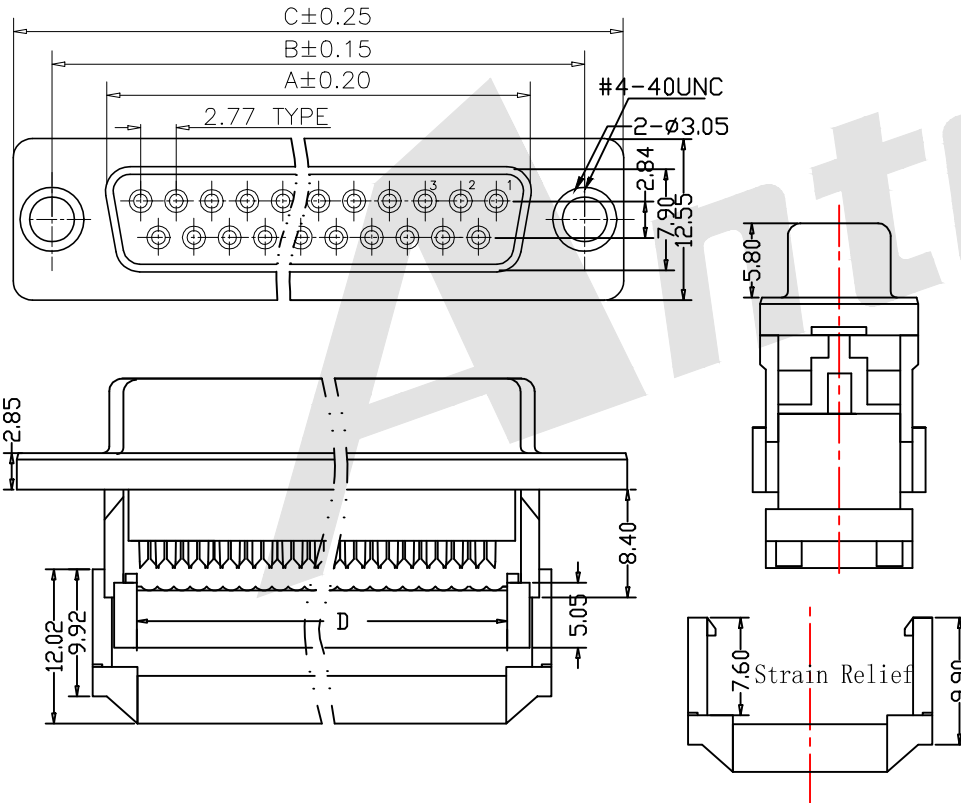
Insulation Resistance: 1000 Megohms Min

Operating Temperature: -55° C to +105° C

Ordering Code:

DIDC02 - F - X - S - X - X
 ① ② ③ ④ ⑤ ⑥

- ① Dual Row IDC Type
- ② Contact Type:
F:Female
- ③ Contact NO.:
09=09pin
15=15pin
25=25pin
37=37pin
- ④ Contact Plating
S: Selective Gold
S2:Selective 5u" Gold
S4:Selective 15u" Gold
G0: Gold flash
G2: 5u" Gold over
G4: 15u" Gold over
- ⑤ Color Code:
L:Blue
B:Black
- ⑥ Other Option:
A: With S/R(Standard)
B: Without S/R
- S1:Selective 3u" Gold
S3:Selective 10u" Gold
S5:Selective30u" Gold
G1: 3u" Gold over
G3: 10u" Gold over
G5: 30u" Gold over



Unless Otherwise specified tolerance
 X. ±0.35 X.XX: ±0.20
 X.X: ±0.25 X.XXX: ±0.15

SCALE: As Shown UNIT: mm
 DRAW: Lv Xun Hua DATE: 06/03/2019
 CHECK: BobYang DATE: 06/03/2019



Antenk ANTENK ELECTRONICS CO.,LTD
 Http://www.antenk.com
 E-mail:sales@antenk.com

TITLE: D-SUB Female Dual Row IDC
 Exterior Button Type(stamped Pin)

DRAWING NO: DIDC02-FXSXX

PRODUCT NO: DIDC02-FXSXX

| REV | DESCRIPTION | DATE |
|-----|-------------|------|
| | | |
| | | |
| | | |