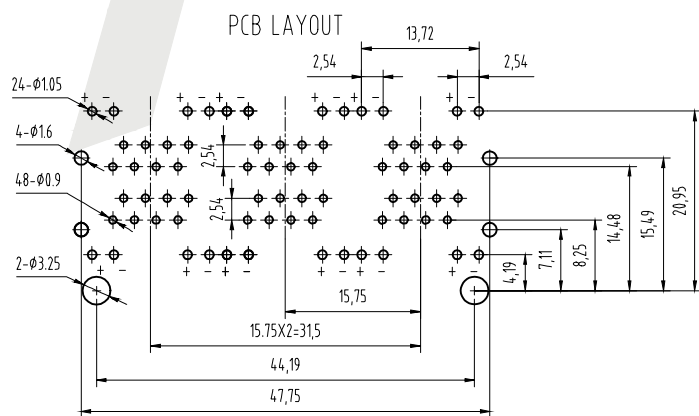
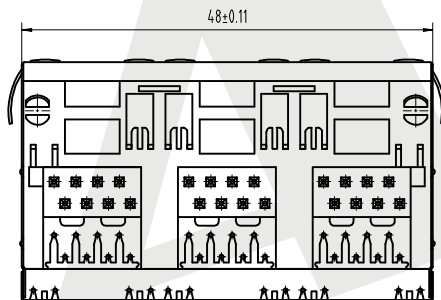
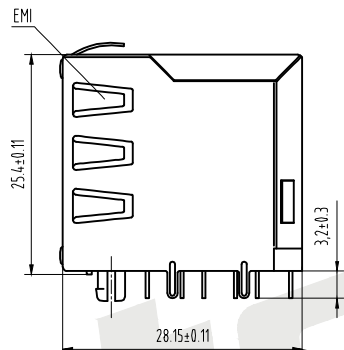
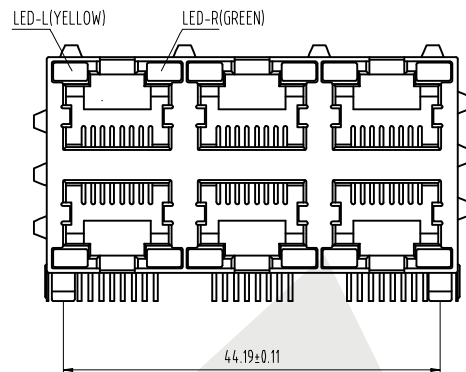


HSF



SPECIFICATIONS:

1. Material:

- 1.1 Housing: Glass Filled Polyester UL94V-0
- 1.2 Contact: Phosphor Bronze, Ø0.46mm
- 1.3 Plating: Gold Plating Over Nickel

2. Electrical Characteristic:

- 2.1 Voltage Rating: 125 VAC RMS
- 2.2 Current Rating: 1.5 AMP
- 2.3 Contact Resistance: 45 Milliohms Max
- 2.4 Insulation Resistance: 1000 Megohms Min@500V DC

2.5 Dielectric Withstanding Resistance: 1000V AC RMS 60HZ, 1 Min

3. Mechanical Characteristic:

- 3.1 Durability: 750 Cycles Min
- 3.2 PCB Retention PRE-Solder: 1 LB Min

4. Environmental:

- 4.1 Storage: -40° C To 85° C
- 4.2 Operation: 0° C To 70° C

Mates With Modular Plug Conforming To FCC Part 68, Subpart F

ATRJ5922 - 8P - 8C - X - C - I - C

- ①
- ②
- ③
- ④
- ⑤
- ⑥
- ⑦

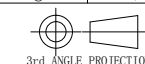
- ① SERIES NO:
- ② NUMBER OF POSITIONS (10P, 8P, 6P, 4P)
- ③ NUMBER OF CONTACTS (10C, 8C, 6C, 4C)
- ④ Contact Plating
G0: Gold flash
G1: 3U" Gold
G2: 5U" Gold
G3: 10U" Gold
G4: 15U" Gold
G5: 30U" Gold
SN: Tin
- ⑤ Shield
A: W/O Shield
B: Half Shield
C: Shield W/Eml
D: Shield W/O Eml
- ⑥ Ports
A: 1X1P G: 2X1P
B: 1X2P H: 2X2P
C: 1X4P I: 2X3P
D: 1X5P J: 2X4P
E: 1X6P K: 2X6P
F: 1X8P L: 2X8P
- ⑦ LED STYLE:
A: W/O LED
B: LEFT YELLOW/RIGHT GREEN
C: LEFT GREEN/RIGHT YELLOW
D: LEFT RED/RIGHT GREEN
E: LEFT GREEN/RIGHT RED
F: LEFT YELLOW/RIGHT YELLOW
G: LEFT GREEN/RIGHT GREEN

Unless Otherwise specified tolerance
X. ±0.35 X.XX: ±0.20
X.X: ±0.25 X.XXX: ±0.15

Antenk® ANTENK ELECTRONICS CO., LTD
Http://www.antenk.com
E-mail: sales@antenk.com

SCALE: As Shown UNIT: mm
DRAW Wu Feng Rong DATE 22/03/2018
CHECK BobYang DATE 22/03/2018

TITLE: RJ45 Jack side entry shielded 2x3P with LED with EMI



DRAWING NO: ATRJ5922-8P8C-X-C-I-C
PRODUCT NO: ATRJ5922-8P8C-X-C-I-C

REV	DESCRIPTION	DATE
1		
2		
3		
4		
5		