

SPECIFICATIONS:

- Voltage rating: 250V AC/DC
- Current rating: 3A AC/DC
- Withstanding Voltage: 800V AC/minute
- Insulation resistance: 1000MΩ Min.
- Temperature range: -25°C To +85°C
- Contact resistance: 20mΩ Max.

Standards

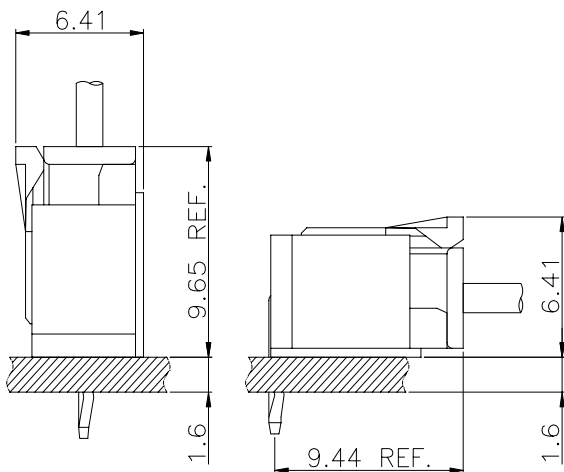
HSF



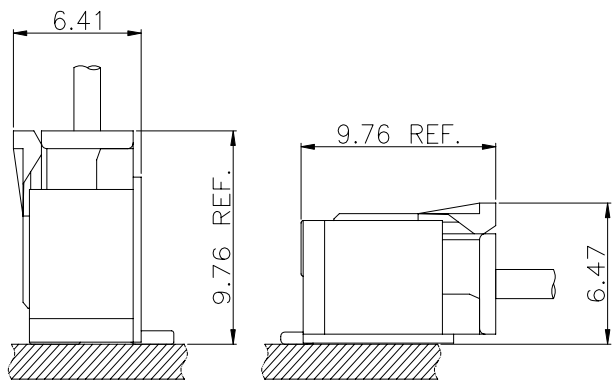
RoHS

Wire to Board

Assembly Layout



DIP TYPE



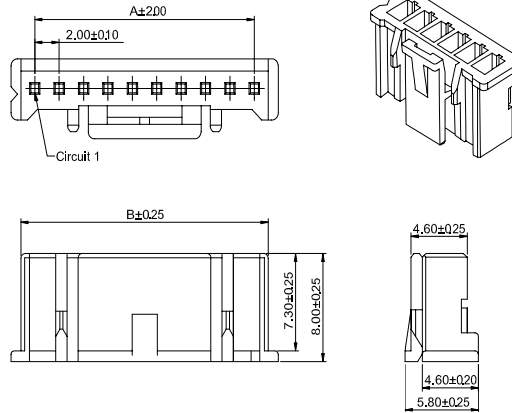
SMT TYPE

Connectors Expert Around You

2.00mm Pitch housing connector

HOUSING

- Part NO.:AH2012-xP
- Suitable:AT2012T series Terminal
- Mates with:AW2012 series Wafer
- Material:Nylon 66,UL94V-0
- Color: White



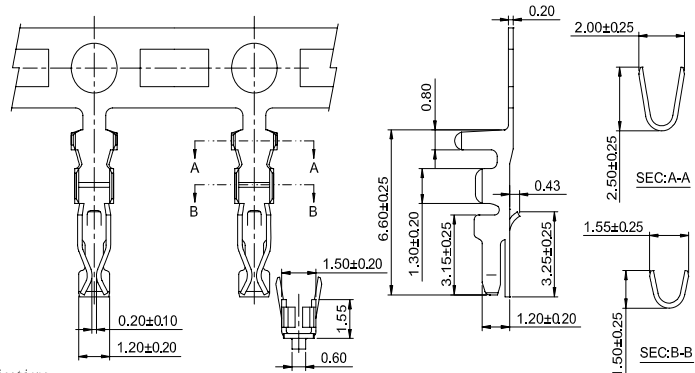
Ordering Information & Dimensions:

Poles	Part No.	Dimensions (mm)	
		A	B
02	AH2012-02P	2.00	8.30
03	AH2012-03P	4.00	8.30
04	AH2012-04P	6.00	8.30
05	AH2012-05P	8.00	10.30
06	AH2012-06P	10.00	12.30
07	AH2012-07P	12.00	14.30
08	AH2012-08P	14.00	16.30
09	AH2012-09P	16.00	18.30
10	AH2012-10P	18.00	20.30
11	AH2012-11P	20.00	22.30
12	AH2012-12P	22.00	24.30
13	AH2012-13P	24.00	26.30
14	AH2012-14P	26.00	28.30
15	AH2012-15P	28.00	30.30
16	AH2012-16P	30.00	32.30

2.00mm Pitch crimp terminal connector

TERMINAL

- Part NO.:AT2012T-xP
- Applicable wire:AWG#22-#28
- Material:Phosphor Bronze
- Finish:Tin Plated or Gold
- Used in AH2012F series Housing



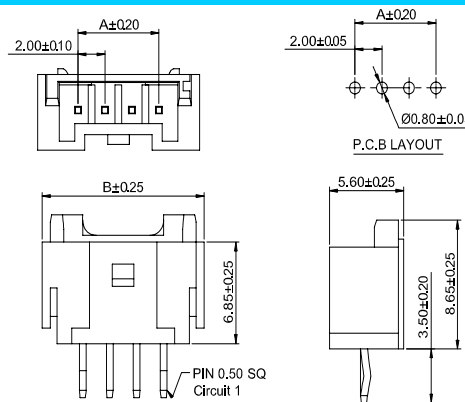
Ordering information & Specifications

Part NO.	Wire Range	Insulation O.D.	Material	Finish	Qty/reel
AT2012T-TP	AWG#22-#28	1.50mm(max)	Phosphor Bronze	Tin over Nickel	10,000 PCS
AT2012T-GP	AWG#22-#28	1.50mm(max)	Phosphor Bronze	Gold over Nickel	10,000 PCS

2.00mm Pitch 180° wafer connector

WAFER

- Part NO.:AW2012V-xP
- Material:Pin:Brass/Tin over Nickel
- Insulator:Nylon 6T,UL94V-0
- Mates with:AH2012 series Housing
- Color: Ivory



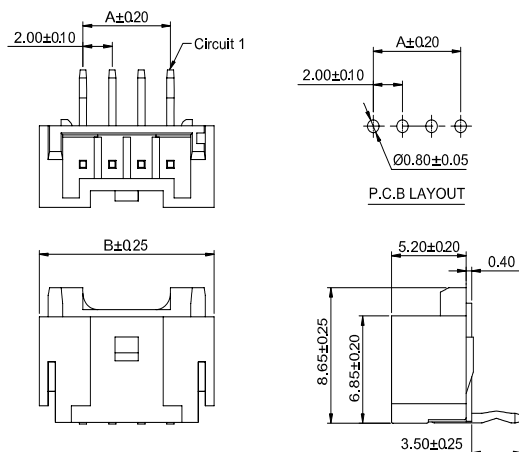
Ordering Information & Dimensions:

Poles	Part No.	Dimensions (mm)	
		A	B
02	AW2012V-02P	2.00	8.00
03	AW2012V-03P	4.00	10.00
04	AW2012V-04P	6.00	12.00
05	AW2012V-05P	8.00	14.00
06	AW2012V-06P	10.00	16.00
07	AW2012V-07P	12.00	18.00
08	AW2012V-08P	14.00	20.00
09	AW2012V-09P	16.00	22.00
10	AW2012V-10P	18.00	24.00
11	AW2012V-11P	20.00	26.00
12	AW2012V-12P	22.00	28.00
13	AW2012V-13P	24.00	30.00
14	AW2012V-14P	26.00	32.00
15	AW2012V-15P	28.00	34.00
16	AW2012V-16P	30.00	36.00

2.00mm Pitch 90° wafer connector

WAFER

- Part NO.:AW2012R-xP
- Material:Pin:Brass/Tin over Nickel
- Insulator:Nylon 6T,UL94V-0
- Mates with:AH2012 series Housing
- Color: Ivory



Ordering Information & Dimensions:

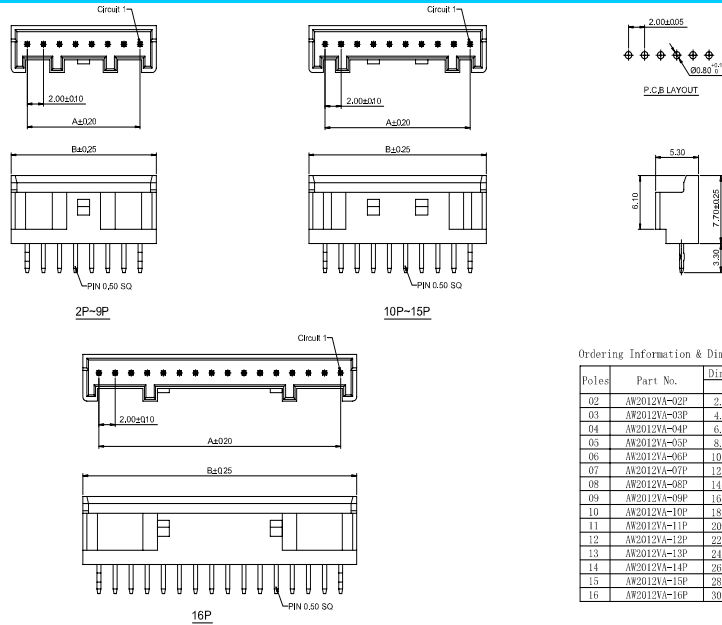
Poles	Part No.	Dimensions (mm)	
		A	B
02	AW2012R-02P	2.00	8.00
03	AW2012R-03P	4.00	10.00
04	AW2012R-04P	6.00	12.00
05	AW2012R-05P	8.00	14.00
06	AW2012R-06P	10.00	16.00
07	AW2012R-07P	12.00	18.00
08	AW2012R-08P	14.00	20.00
09	AW2012R-09P	16.00	22.00
10	AW2012R-10P	18.00	24.00
11	AW2012R-11P	20.00	26.00
12	AW2012R-12P	22.00	28.00
13	AW2012R-13P	24.00	30.00
14	AW2012R-14P	26.00	32.00
15	AW2012R-15P	28.00	34.00
16	AW2012R-16P	30.00	36.00

Connectors Expert Around You

2.00mm Pitch 180° wafer connector

WAFER

- Part NO.:AW2012VA-xP
- Material:Pin:Brass/Tin over Nickel
- Insulator:Nylon 66,UL94V-0
- Mates with:AH2012 series Housing
- Color: White



Ordering Information & Dimensions:

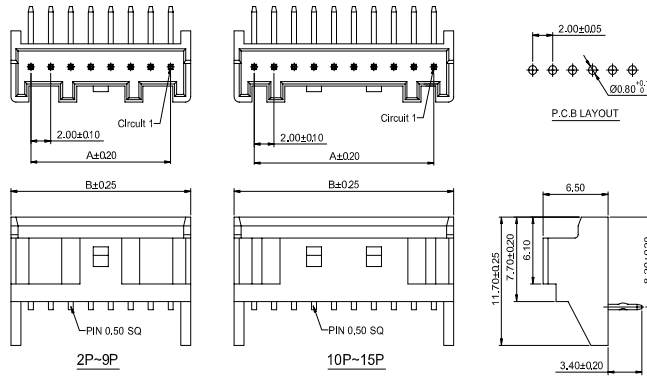
Poles	Part No.	Dimensions (mm)	
		A	B
02	AW2012VA-02P	2.00	6.00
03	AW2012VA-03P	4.00	8.00
04	AW2012VA-04P	6.00	10.00
05	AW2012VA-05P	8.00	12.00
06	AW2012VA-06P	10.00	14.00
07	AW2012VA-07P	12.00	16.00
08	AW2012VA-08P	14.00	18.00
09	AW2012VA-09P	16.00	20.00
10	AW2012VA-10P	18.00	22.00
11	AW2012VA-11P	20.00	24.00
12	AW2012VA-12P	22.00	26.00
13	AW2012VA-13P	24.00	28.00
14	AW2012VA-14P	26.00	30.00
15	AW2012VA-15P	28.00	32.00
16	AW2012VA-16P	30.00	34.00

Wire to Board

2.00mm Pitch 90° wafer connector

WAFER

- Part NO.:AW2012RA-xP
- Material:Pin:Brass/Tin over Nickel
- Insulator:Nylon 66,UL94V-0
- Mates with:AH2012 series Housing
- Color: White



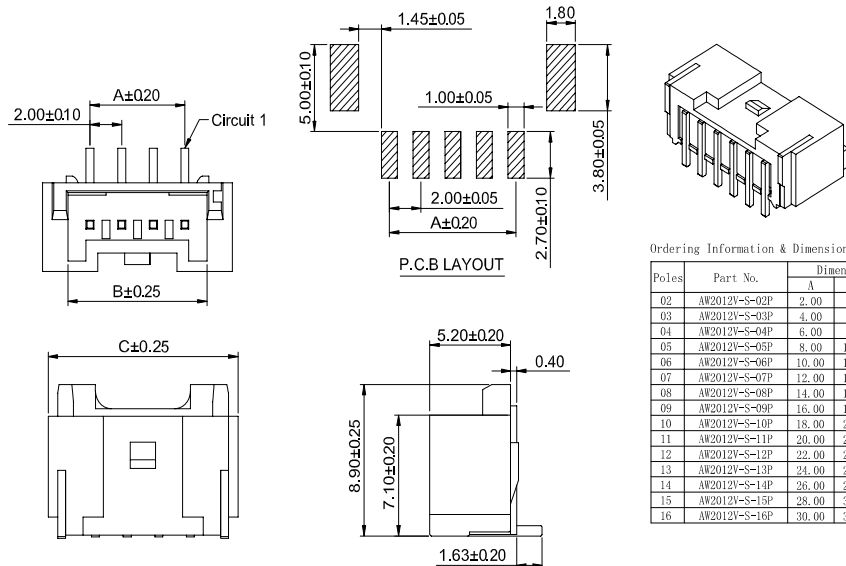
Ordering Information & Dimensions:

Poles	Part No.	Dimensions (mm)	
		A	B
02	AW2012RA-02P	2.00	6.00
03	AW2012RA-03P	4.00	8.00
04	AW2012RA-04P	6.00	10.00
05	AW2012RA-05P	8.00	12.00
06	AW2012RA-06P	10.00	14.00
07	AW2012RA-07P	12.00	16.00
08	AW2012RA-08P	14.00	18.00
09	AW2012RA-09P	16.00	20.00
10	AW2012RA-10P	18.00	22.00
11	AW2012RA-11P	20.00	24.00
12	AW2012RA-12P	22.00	26.00
13	AW2012RA-13P	24.00	28.00
14	AW2012RA-14P	26.00	30.00
15	AW2012RA-15P	28.00	32.00
16	AW2012RA-16P	30.00	34.00

2.00mm Pitch 180° wafer-smt connector

WAFER

- Part NO.:AW2012V-S-xP
- Material:Pin:Brass/Tin over Nickel
- Insulator:Nylon 6T,UL94V-0
- Mates with:AH2012 series Housing
- Color: Ivory



Ordering Information & Dimensions:

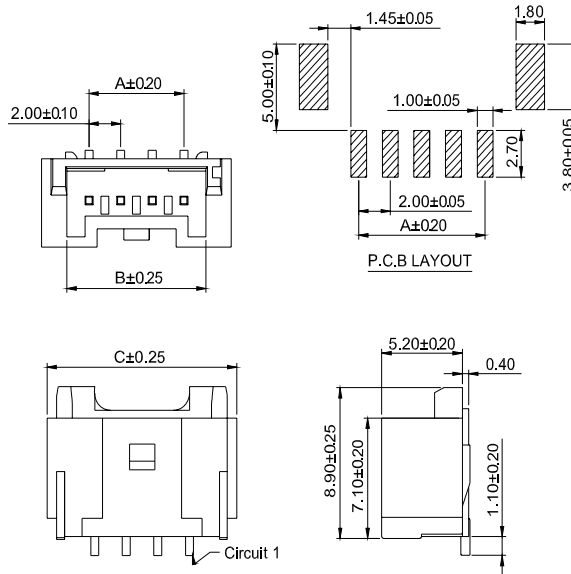
Poles	Part No.	Dimensions (mm)		
		A	B	C
02	AW2012V-S-02P	2.00	4.50	8.00
03	AW2012V-S-03P	4.00	6.50	10.00
04	AW2012V-S-04P	6.00	8.50	12.00
05	AW2012V-S-05P	8.00	10.50	14.00
06	AW2012V-S-06P	10.00	12.50	16.00
07	AW2012V-S-07P	12.00	14.50	18.00
08	AW2012V-S-08P	14.00	16.50	20.00
09	AW2012V-S-09P	16.00	18.50	22.00
10	AW2012V-S-10P	18.00	20.50	24.00
11	AW2012V-S-11P	20.00	22.50	26.00
12	AW2012V-S-12P	22.00	24.50	28.00
13	AW2012V-S-13P	24.00	26.50	30.00
14	AW2012V-S-14P	26.00	28.50	32.00
15	AW2012V-S-15P	28.00	30.50	34.00
16	AW2012V-S-16P	30.00	32.50	36.00

Connectors Expert Around You

2.00mm Pitch 90° wafer-smt connector

WAFER

- Part NO.:AW2012R-S-xP
- Material:Pin:Brass/Tin over Nickel
- Insulator:Nylon 6T,UL94V-0
- Mates with:AH2012 series Housing
- Color: Ivory



Ordering Information & Dimensions:

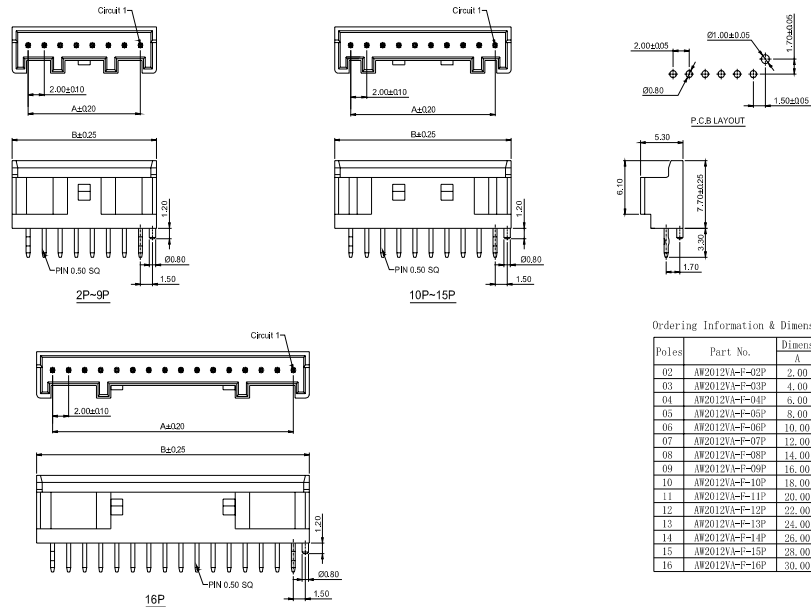
Poles	Part No.	Dimensions (mm)		
		A	B	C
02	AW2012R-S-02P	2.00	4.50	8.00
03	AW2012R-S-03P	4.00	6.50	10.00
04	AW2012R-S-04P	6.00	8.50	12.00
05	AW2012R-S-05P	8.00	10.50	14.00
06	AW2012R-S-06P	10.00	12.50	16.00
07	AW2012R-S-07P	12.00	14.50	18.00
08	AW2012R-S-08P	14.00	16.50	20.00
09	AW2012R-S-09P	16.00	18.50	22.00
10	AW2012R-S-10P	18.00	20.50	24.00
11	AW2012R-S-11P	20.00	22.50	26.00
12	AW2012R-S-12P	22.00	24.50	28.00
13	AW2012R-S-13P	24.00	26.50	30.00
14	AW2012R-S-14P	26.00	28.50	32.00
15	AW2012R-S-15P	28.00	30.50	34.00
16	AW2012R-S-16P	30.00	32.50	36.00

Wire to Board

2.00mm Pitch 180° wafer connector

WAFER

- Part NO.:AW2012VA-F-xP
- Material:Pin:Brass/Tin over Nickel
- Insulator:Nylon 66,UL94V-0
- Mates with:AH2012 series Housing
- Color: White



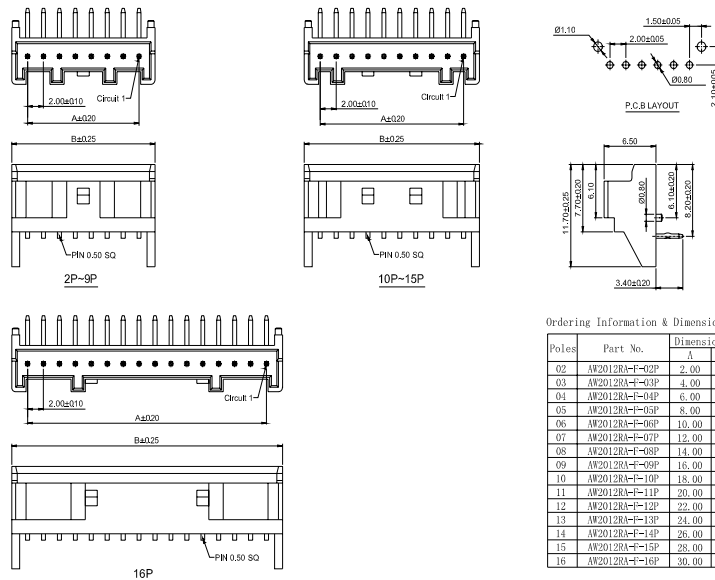
Ordering Information & Dimensions:

Poles	Part No.	Dimensions (mm)	
		A	B
02	AW2012VA-F-02P	2.00	6.00
03	AW2012VA-F-03P	4.00	8.00
04	AW2012VA-F-04P	6.00	10.00
05	AW2012VA-F-05P	8.00	12.00
06	AW2012VA-F-06P	10.00	14.00
07	AW2012VA-F-07P	12.00	16.00
08	AW2012VA-F-08P	14.00	18.00
09	AW2012VA-F-09P	16.00	20.00
10	AW2012VA-F-10P	18.00	22.00
11	AW2012VA-F-11P	20.00	24.00
12	AW2012VA-F-12P	22.00	26.00
13	AW2012VA-F-13P	24.00	28.00
14	AW2012VA-F-14P	26.00	30.00
15	AW2012VA-F-15P	28.00	32.00
16	AW2012VA-F-16P	30.00	34.00

2.00mm Pitch 90° wafer connector

WAFER

- Part NO.:AW2012RA-F-xP
- Material:Pin:Brass/Tin over Nickel
- Insulator:Nylon 66,UL94V-0
- Mates with:AH2012 series Housing
- Color: White



Ordering Information & Dimensions:

Poles	Part No.	Dimensions (mm)	
		A	B
02	AW2012RA-F-02P	2.00	6.00
03	AW2012RA-F-03P	4.00	8.00
04	AW2012RA-F-04P	6.00	10.00
05	AW2012RA-F-05P	8.00	12.00
06	AW2012RA-F-06P	10.00	14.00
07	AW2012RA-F-07P	12.00	16.00
08	AW2012RA-F-08P	14.00	18.00
09	AW2012RA-F-09P	16.00	20.00
10	AW2012RA-F-10P	18.00	22.00
11	AW2012RA-F-11P	20.00	24.00
12	AW2012RA-F-12P	22.00	26.00
13	AW2012RA-F-13P	24.00	28.00
14	AW2012RA-F-14P	26.00	30.00
15	AW2012RA-F-15P	28.00	32.00
16	AW2012RA-F-16P	30.00	34.00