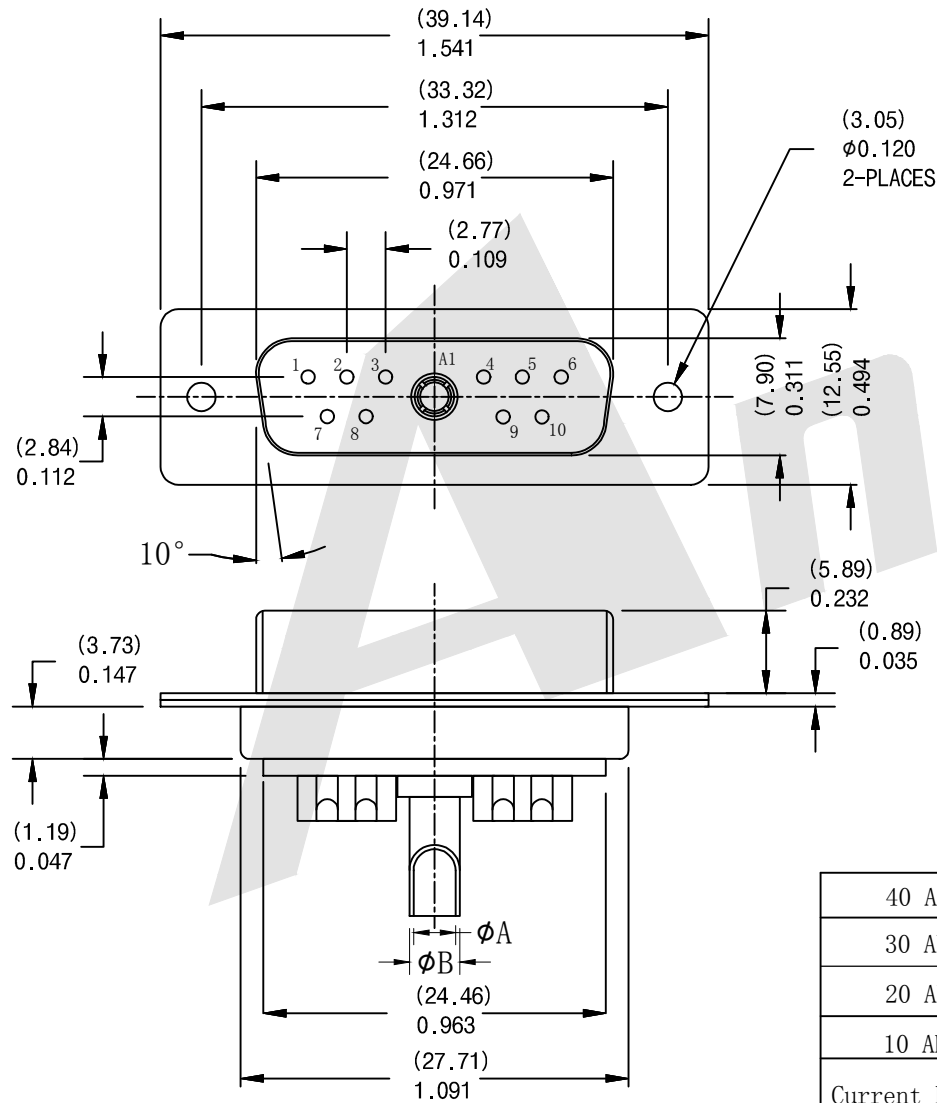


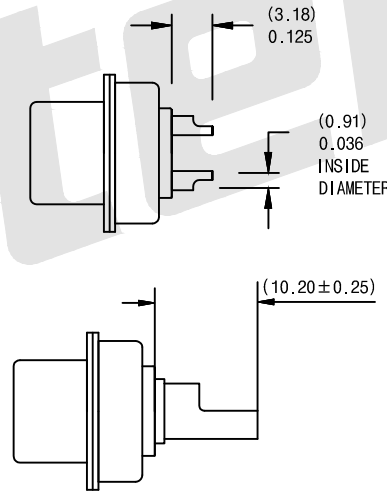
HSF



ROHS



NOTE:  
SIGNAL AND POWER CONTACTS  
COME PRE-LOADED INTO INSULATORS



SPECIFICATIONS:

ELECTRICAL:  
INSULATOR RESISTANCE: 5,000 MegOHMS Min.  
DIELECTRIC WITHSTANDING: 1,000 VAC r. m. s.  
OPERATING TEMPERATURE: -55°C ~ +125°C  
CONTACT RESISTANCE: 30 MILLIOHMS Max.  
POWER PINS: SEE PART No. BELOW  
SIGNAL PINS: 3AMPS  
MECHANICAL:  
CONTACT INSERTION FORCE: 4.5kg Max  
CONTACT SEPARATOR FORCE: 0.3kg Min  
MATERIALS:  
CONTACTS: BRASS  
INSULATOR: PBT UL94V-0 RATED,  
230°C PROCESS TEMP.  
SHELL: STEEL  
FINISH: NICKEL  
SHELL: NICKEL

Ordering Code:

PDB11W1 -F -G0 -B -20  
① ② ③ ④ ⑤

- ① Series
- ② Contact Type:  
M:Male F:Female
- ③ Contact NO. :  
G0: Gold flash G1: 3u" Gold  
G2: 5u" Gold G3: 10u" Gold  
G4: 15u" Gold G5: 30u" Gold
- ④ Insulation Color Code:  
B:Black L:Blue  
W:White
- ⑤ Power AMP:  
10 = 10AMPS; 20 = 20AMPS;  
30 = 30AMPS; 40 = 40AMPS;

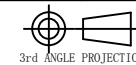
40 AMPS	φ4.6	φ5.5
30 AMPS	φ3.4	φ4.4
20 AMPS	φ2.6	φ3.6
10 AMPS	φ1.75	φ2.54
Current Rating	φA	φB
	Dimension	

Unless Otherwise specified tolerance  
X. ±0.35 X.XX: ±0.20  
X.X: ±0.25 X.XXX: ±0.15

**Antenk**® ANTENK ELECTRONICS CO., LTD  
Http://www.antenk.com  
E-mail:sales@antenk.com

SCALE: As Shown UNIT: mm  
DRAW Lv Xun Hua DATE 25/05/2019  
CHECK BobYang DATE 25/05/2019

TITLE:  
POWER D-SUB 11W1 SOLDER CUP-FEMALE  
DRAWING NO: PDB11W1-FXXX  
PRODUCT NO: PDB11W1-FXXX



REV	DESCRIPTION	DATE
1		
2		
3		
4		
5		