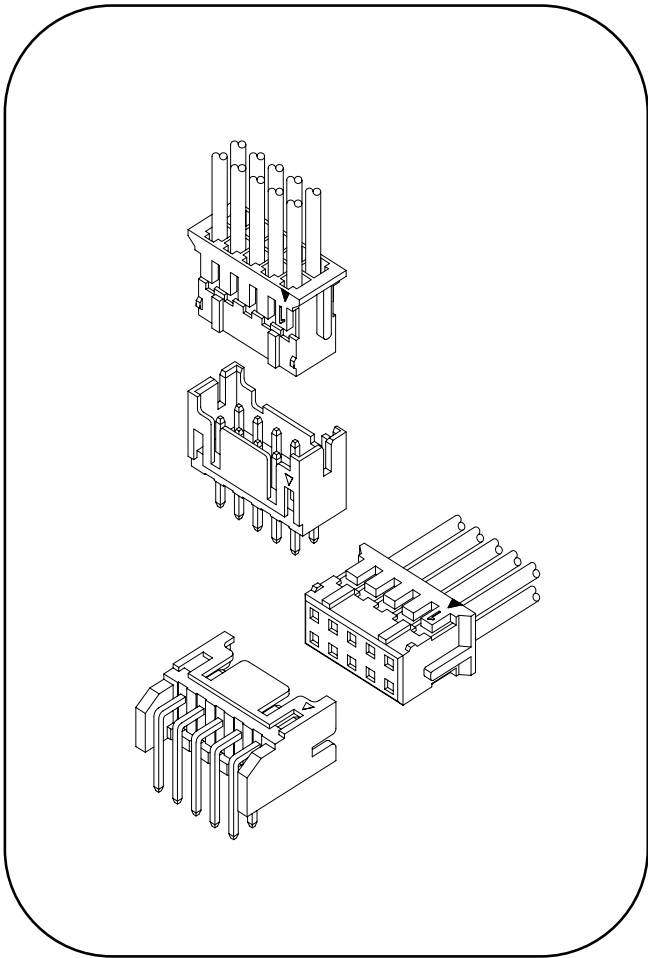


SPECIFICATIONS:

- Voltage rating: 250V AC/DC
- Current rating: 3A AC/DC
- Withstanding Voltage: 800V AC/minute
- Insulation resistance: 1000MΩ Min.
- Temperature range: -25°C To +85°C
- Contact resistance: 20mΩ Max.



Standards

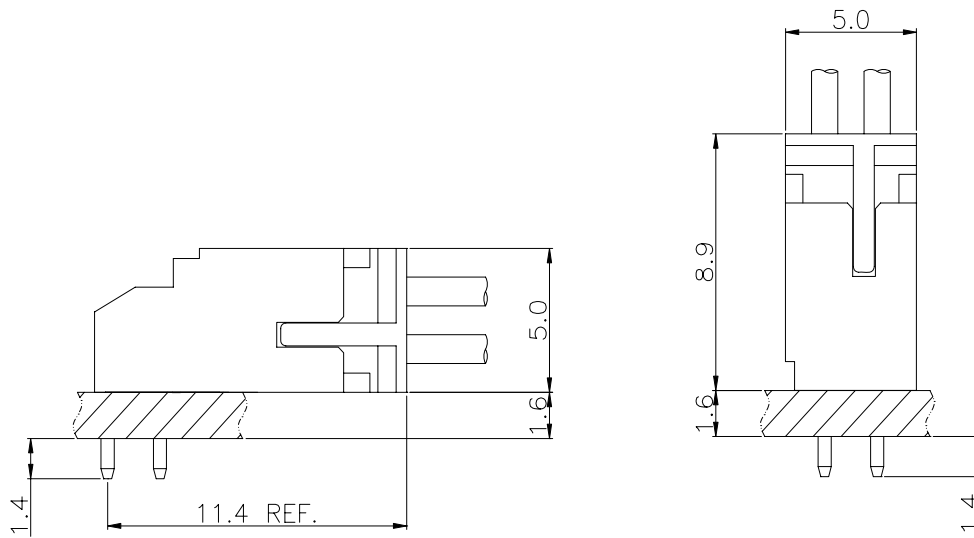
HSF



RoHS

Wire to Board

Assembly Layout



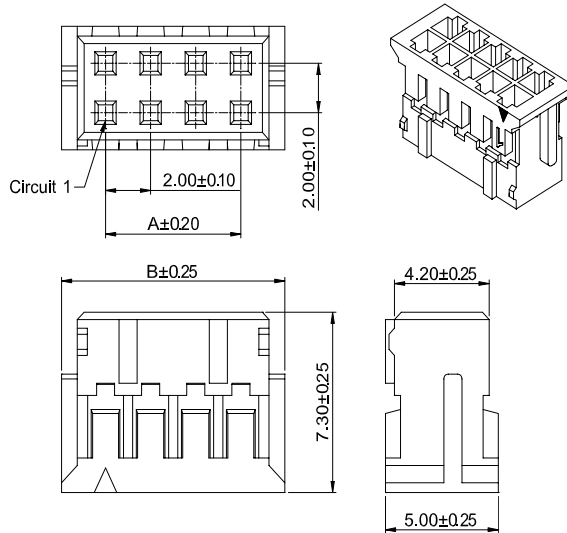
DIP TYPE

Connectors Expert Around You

2.00mm Pitch dual row housing connector

HOUSING

- Part NO.:AH2006-2xNP
- Poles:04-50P
- Suitable:AT2006T series Terminal
- Mates with:AW2006 series Dual Row Wafer
- Material:Nylon 66,UL94v-0
- Color:White



Ordering Information & Dimensions:

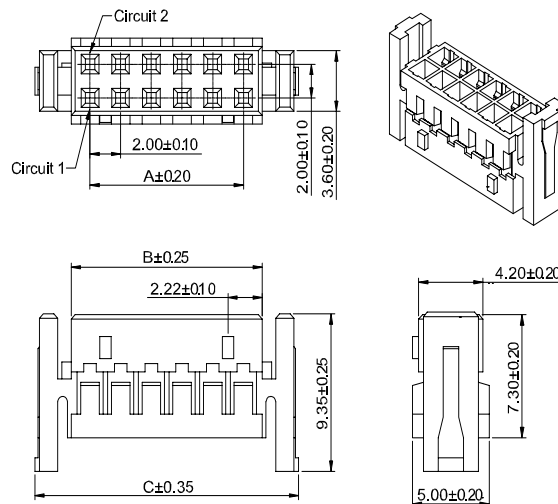
Poles	Part No.	Dimensions(mm)	
		A	B
4	AH2006-2x02P	2.00	5.90
6	AH2006-2x03P	4.00	7.90
8	AH2006-2x04P	6.00	9.90
10	AH2006-2x05P	8.00	11.90
12	AH2006-2x06P	10.00	13.90
14	AH2006-2x07P	12.00	15.90
16	AH2006-2x08P	14.00	17.90
18	AH2006-2x09P	16.00	19.90
20	AH2006-2x10P	18.00	21.90
22	AH2006-2x11P	20.00	23.90
24	AH2006-2x12P	22.00	25.90
26	AH2006-2x13P	24.00	27.90
28	AH2006-2x14P	26.00	29.90
30	AH2006-2x15P	28.00	31.90
32	AH2006-2x16P	30.00	33.90
34	AH2006-2x17P	32.00	35.90
36	AH2006-2x18P	34.00	37.90
38	AH2006-2x19P	36.00	39.90
40	AH2006-2x20P	38.00	41.90
42	AH2006-2x21P	40.00	43.90
44	AH2006-2x22P	42.00	45.90
46	AH2006-2x23P	44.00	47.90
48	AH2006-2x24P	46.00	49.90
50	AH2006-2x25P	48.00	51.90

Wire to Board

2.00mm Pitch dual row housing connector

HOUSING

- Part NO.:AH2006A-2xNP
- Poles:06-40P
- Suitable:AT2006T series Terminal
- Mates with:AW2006 series Dual Row Wafer
- Material:Nylon 66,UL94v-0
- Color:White



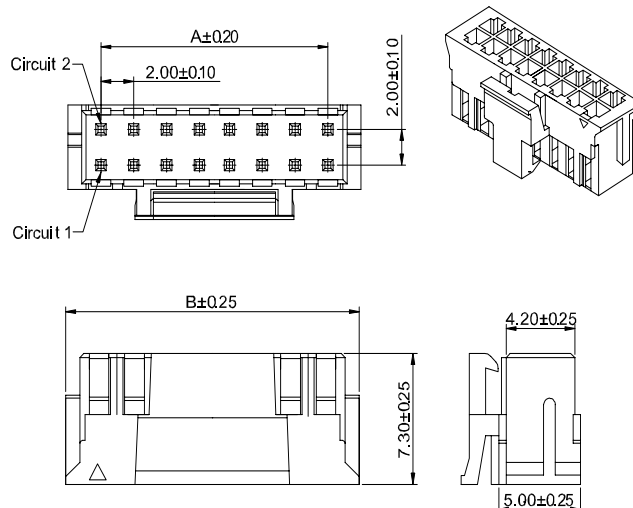
Ordering Information & Dimensions:

Poles	Part No.	Dimensions(mm)		
		A	B	C
6	AH2006A-2x03P	4.00	6.45	11.60
8	AH2006A-2x04P	6.00	8.45	13.60
10	AH2006A-2x05P	8.00	10.45	15.60
12	AH2006A-2x06P	10.00	12.45	17.60
14	AH2006A-2x07P	12.00	14.45	19.60
16	AH2006A-2x08P	14.00	16.45	21.60
18	AH2006A-2x09P	16.00	18.45	23.60
20	AH2006A-2x10P	18.00	20.45	25.60
22	AH2006A-2x11P	20.00	22.45	27.60
24	AH2006A-2x12P	22.00	24.45	29.60
26	AH2006A-2x13P	24.00	26.45	31.60
28	AH2006A-2x14P	26.00	28.45	33.60
30	AH2006A-2x15P	28.00	30.45	35.60
32	AH2006A-2x16P	30.00	32.45	37.60
34	AH2006A-2x17P	32.00	34.45	39.60
36	AH2006A-2x18P	34.00	36.45	41.60
38	AH2006A-2x19P	36.00	38.45	43.60
40	AH2006A-2x20P	38.00	40.45	45.60

2.00mm Pitch dual row housing connector

HOUSING

- Part NO.:AH2006B-2xNP
- Poles:04-44P
- Suitable:AT2006T-B series Terminal
- Mates with:AW2006 series Dual Row Wafer
- Material:Nylon 66,UL94v-0
- Color:White



Ordering Information & Dimensions:

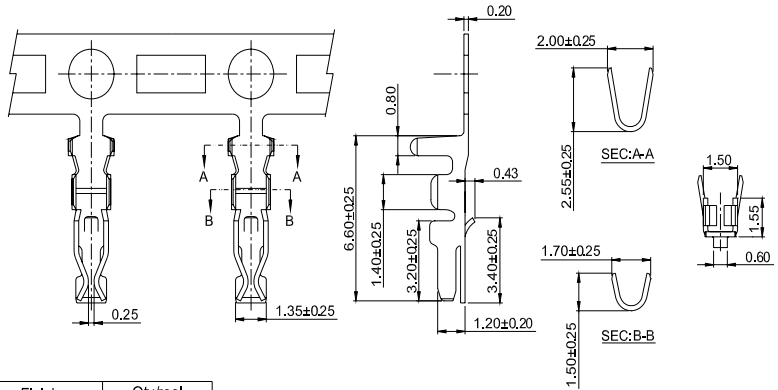
Poles	Part No.	Dimensions(mm)	
		A	B
4	AH2006B-2x02P	4.00	5.90
6	AH2006B-2x03P	4.00	7.90
8	AH2006B-2x04P	6.00	9.90
10	AH2006B-2x05P	8.00	11.90
12	AH2006B-2x06P	10.00	13.90
14	AH2006B-2x07P	12.00	15.90
16	AH2006B-2x08P	14.00	17.90
18	AH2006B-2x09P	16.00	19.90
20	AH2006B-2x10P	18.00	21.90
22	AH2006B-2x11P	20.00	23.90
24	AH2006B-2x12P	22.00	25.90
26	AH2006B-2x13P	24.00	27.90
28	AH2006B-2x14P	26.00	29.90
30	AH2006B-2x15P	28.00	31.90
32	AH2006B-2x16P	30.00	33.90
34	AH2006B-2x17P	32.00	35.90
36	AH2006B-2x18P	34.00	37.90
38	AH2006B-2x19P	36.00	39.90
40	AH2006B-2x20P	38.00	41.90
42	AH2006B-2x21P	40.00	43.90
44	AH2006B-2x22P	42.00	45.90

Connectors Expert Around You

2.00mm Pitch crimp terminal connector

TERMINAL

- Part NO.:AT2006T-XP
- Applicable wire:AWG#22-#28
- Material:Phosphor Bronze
- Finish:Tin Plated or Gold
- Used in AH2006 series Housing



Ordering information & Specifications:

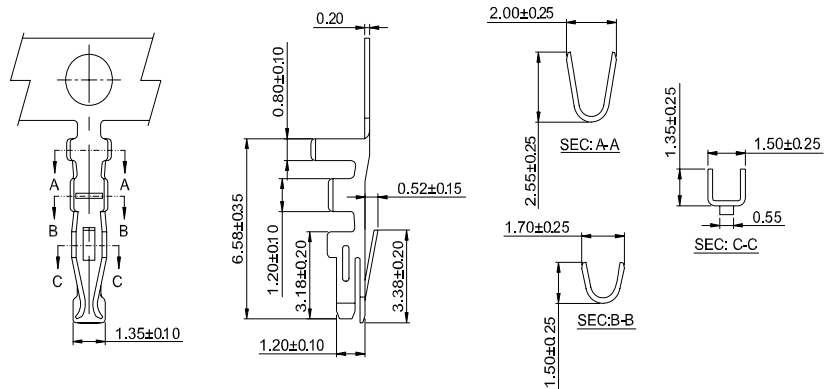
Part NO.	Wire Range	Insulation O.D.	Material	Finish	Qty/reel
AT2006T-TP	AWG#22-#28	1.50mm(max)	Phosphor Bronze	Tin over Nickel	10,000 PCS
AT2006T-GP	AWG#22-#28	1.50mm(max)	Phosphor Bronze	Gold over flash	10,000 PCS

Wire To Board

2.00mm Pitch crimp terminal connector

TERMINAL

- Part NO.:AT2006T-XP-B
- Applicable wire:AWG#22-#28
- Material:Phosphor Bronze
- Finish:Tin Plated or Gold
- Used in AH2006B series Housing



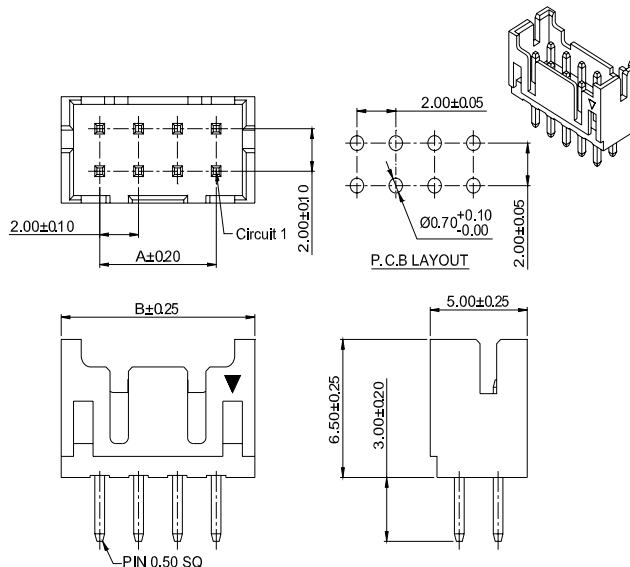
Ordering information & Specifications:

Part NO.	Wire Range	Insulation O.D.	Material	Finish	Qty/reel
A2006-TP-B	AWG#22-#28	1.50mm(max)	Phosphor Bronze	Tin over Nickel	10,000 PCS
A2006-GP-B	AWG#22-#28	1.50mm(max)	Phosphor Bronze	Gold over flash	10,000 PCS

2.00mm Pitch 180° dual row wafer connector

WAFER

- Part NO.:AW2006V-2xNP
- Material:Pin:Brass/Tin over Nickel
- Insulator:Nylon 66,UL94V-0
- Mates with:AH2006 series Dual Row Housing
- Color:Grey



Ordering Information & Dimensions:

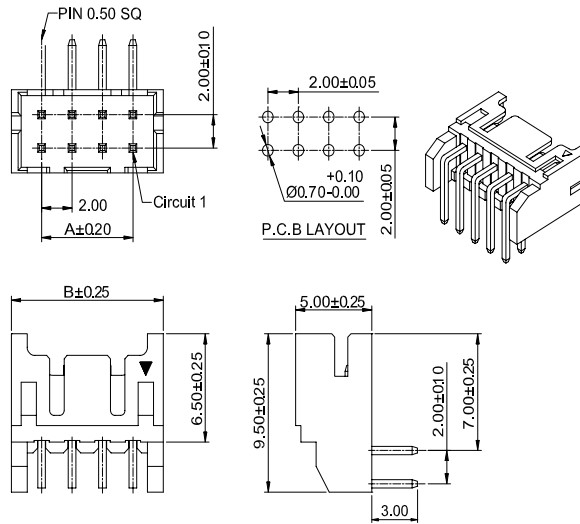
Poles	Part No.	Dimensions (mm)	
		A	B
4	AW2006V-2x02P	2.00	6.00
8	AW2006V-2x03P	4.00	8.00
8	AW2006V-2x04P	6.00	10.00
10	AW2006V-2x05P	8.00	12.00
12	AW2006V-2x06P	10.00	14.00
14	AW2006V-2x07P	12.00	16.00
16	AW2006V-2x08P	14.00	18.00
18	AW2006V-2x09P	16.00	20.00
20	AW2006V-2x10P	18.00	22.00
22	AW2006V-2x11P	20.00	24.00
24	AW2006V-2x12P	22.00	26.00
26	AW2006V-2x13P	24.00	28.00
28	AW2006V-2x14P	26.00	30.00
30	AW2006V-2x15P	28.00	32.00
32	AW2006V-2x16P	30.00	34.00
34	AW2006V-2x17P	32.00	36.00
36	AW2006V-2x18P	34.00	38.00
38	AW2006V-2x19P	36.00	40.00
40	AW2006V-2x20P	38.00	42.00
42	AW2006V-2x21P	40.00	44.00
44	AW2006V-2x22P	42.00	46.00
46	AW2006V-2x23P	44.00	48.00
48	AW2006V-2x24P	46.00	50.00
50	AW2006V-2x25P	48.00	52.00

Connectors Expert Around You

2.00mm Pitch 90° dual row wafer connector

WAFER

- Part NO.:AW2006R-2xNP
- Material:Pin:Brass/Tin over Nickel
- Insulator:Nylon 66,UL94V-0
- Mates with:AH2006 series Dual Row Housing
- Color:Grey



Ordering Information & Dimensions:

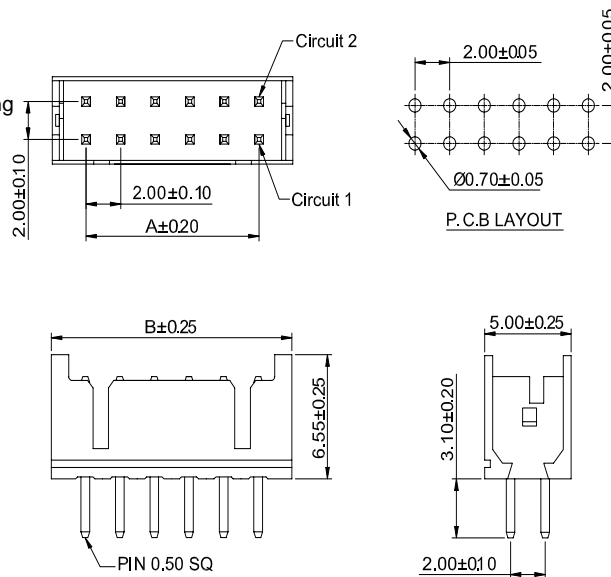
Poles	Part No.	Dimensions (mm)	
		A	B
4	AW2006R-2x02P	2.00	6.00
6	AW2006R-2x03P	4.00	8.00
8	AW2006R-2x04P	6.00	10.00
10	AW2006R-2x05P	8.00	12.00
12	AW2006R-2x06P	10.00	14.00
14	AW2006R-2x07P	12.00	16.00
16	AW2006R-2x08P	14.00	18.00
18	AW2006R-2x09P	16.00	20.00
20	AW2006R-2x10P	18.00	22.00
22	AW2006R-2x11P	20.00	24.00
24	AW2006R-2x12P	22.00	26.00
26	AW2006R-2x13P	24.00	28.00
28	AW2006R-2x14P	26.00	30.00
30	AW2006R-2x15P	28.00	32.00
32	AW2006R-2x16P	30.00	34.00
34	AW2006R-2x17P	32.00	36.00
36	AW2006R-2x18P	34.00	38.00
38	AW2006R-2x19P	36.00	40.00
40	AW2006R-2x20P	38.00	42.00
42	AW2006R-2x21P	40.00	44.00
44	AW2006R-2x22P	42.00	46.00
46	AW2006R-2x23P	44.00	48.00
48	AW2006R-2x24P	46.00	50.00
50	AW2006R-2x25P	48.00	52.00

Wire To Board

2.00mm Pitch 180° dual row wafer connector

WAFER

- Part NO.:AW2006VA-2xNP
- Material:Pin:Brass/Tin over Nickel
- Insulator:Nylon 66,UL94V-0
- Mates with:AH2006A series Dual Row Housing
- Color:Grey



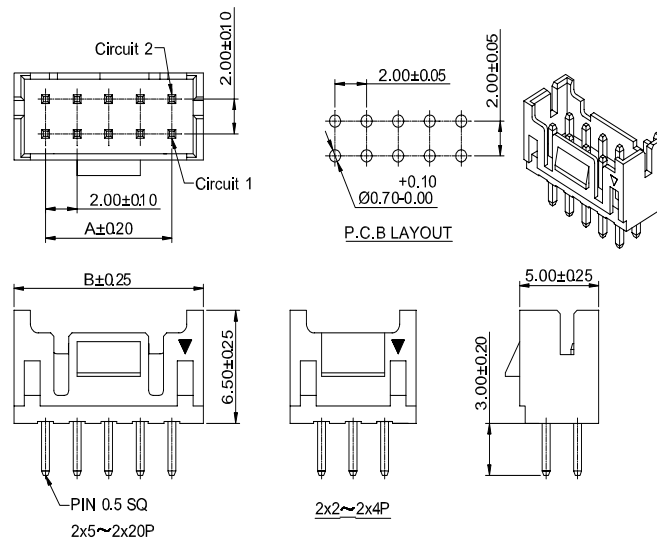
Ordering Information & Dimensions:

Poles	Part No.	Dimensions (mm)	
		A	B
4	AW2006VA-2x02P	2.00	8.00
6	AW2006VA-2x03P	4.00	10.00
8	AW2006VA-2x04P	6.00	12.00
10	AW2006VA-2x05P	8.00	14.00
12	AW2006VA-2x06P	10.00	16.00
14	AW2006VA-2x07P	12.00	18.00
16	AW2006VA-2x08P	14.00	20.00
18	AW2006VA-2x09P	16.00	22.00
20	AW2006VA-2x10P	18.00	24.00
22	AW2006VA-2x11P	20.00	26.00
24	AW2006VA-2x12P	22.00	28.00
26	AW2006VA-2x13P	24.00	30.00
28	AW2006VA-2x14P	26.00	32.00
30	AW2006VA-2x15P	28.00	34.00
32	AW2006VA-2x16P	30.00	36.00
34	AW2006VA-2x17P	32.00	38.00
36	AW2006VA-2x18P	34.00	40.00
38	AW2006VA-2x19P	36.00	42.00
40	AW2006VA-2x20P	38.00	44.00

2.00mm Pitch 180° dual row wafer connector

WAFER

- Part NO.:AW2006VB-2xNP
- Material:Pin:Brass/Tin over Nickel
- Insulator:Nylon 66,UL94V-0
- Mates with:AH2006B series Dual Row Housing
- Color:Grey



Ordering Information & Dimensions:

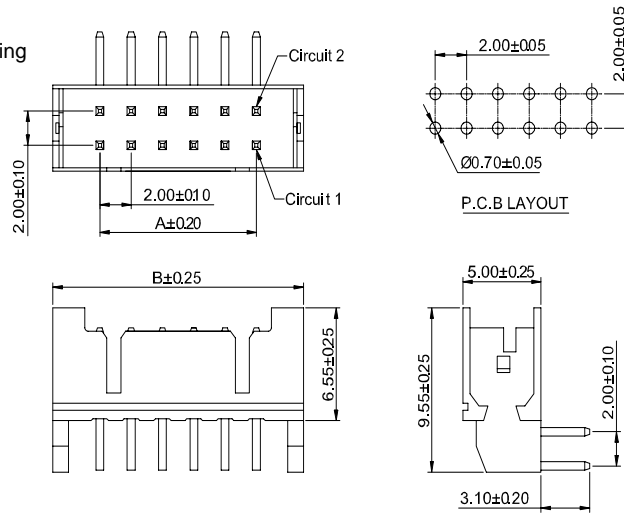
Poles	Part No.	Dimensions (mm)	
		A	B
4	AW2006VB-2x02P	2.00	8.00
6	AW2006VB-2x03P	4.00	10.00
8	AW2006VB-2x04P	6.00	12.00
10	AW2006VB-2x05P	8.00	14.00
12	AW2006VB-2x06P	10.00	16.00
14	AW2006VB-2x07P	12.00	18.00
16	AW2006VB-2x08P	14.00	20.00
18	AW2006VB-2x09P	16.00	22.00
20	AW2006VB-2x10P	18.00	24.00
22	AW2006VB-2x11P	20.00	26.00
24	AW2006VB-2x12P	22.00	28.00
26	AW2006VB-2x13P	24.00	30.00
28	AW2006VB-2x14P	26.00	32.00
30	AW2006VB-2x15P	28.00	34.00
32	AW2006VB-2x16P	30.00	36.00
34	AW2006VB-2x17P	32.00	38.00
36	AW2006VB-2x18P	34.00	40.00
38	AW2006VB-2x19P	36.00	42.00
40	AW2006VB-2x20P	38.00	44.00

Connectors Expert Around You

2.00mm Pitch 90° dual row wafer connector

WAFER

- Part NO.:AW2006RA-2xNP
- Material:Pin:Brass/Tin over Nickel
- Insulator:Nylon 66,UL94V-0
- Mates with:AH2006A series Dual Row Housing
- Color:Grey



Ordering Information & Dimensions:

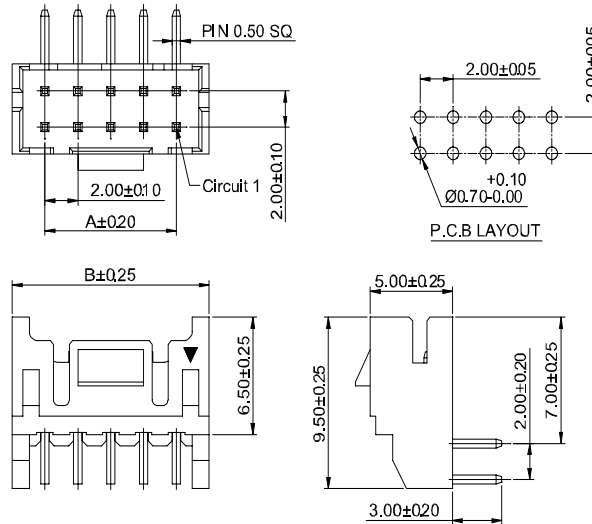
Poles	Part No.	Dimensions (mm)	
		A	B
4	AW2006RA-2x02P	2.00	8.00
6	AW2006RA-2x03P	4.00	10.00
8	AW2006RA-2x04P	6.00	12.00
10	AW2006RA-2x05P	8.00	14.00
12	AW2006RA-2x06P	10.00	16.00
14	AW2006RA-2x07P	12.00	18.00
16	AW2006RA-2x08P	14.00	20.00
18	AW2006RA-2x09P	16.00	22.00
20	AW2006RA-2x10P	18.00	24.00
22	AW2006RA-2x11P	20.00	26.00
24	AW2006RA-2x12P	22.00	28.00
26	AW2006RA-2x13P	24.00	30.00
28	AW2006RA-2x14P	26.00	32.00
30	AW2006RA-2x15P	28.00	34.00
32	AW2006RA-2x16P	30.00	36.00
34	AW2006RA-2x17P	32.00	38.00
36	AW2006RA-2x18P	34.00	40.00
38	AW2006RA-2x19P	36.00	42.00
40	AW2006RA-2x20P	38.00	44.00

Wire To Board

2.00mm Pitch 90° dual row wafer connector

WAFER

- Part NO.:AW2006RB-2xNP
- Material:Pin:Brass/Tin over Nickel
- Insulator:Nylon 66,UL94V-0
- Mates with:AH2006B series Dual Row Housing
- Color:Grey



Ordering Information & Dimensions:

Poles	Part No.	Dimensions (mm)	
		A	B
4	AW2006RB-2x02P	2.00	8.00
6	AW2006RB-2x03P	4.00	10.00
8	AW2006RB-2x04P	6.00	12.00
10	AW2006RB-2x05P	8.00	14.00
12	AW2006RB-2x06P	10.00	16.00
14	AW2006RB-2x07P	12.00	18.00
16	AW2006RB-2x08P	14.00	20.00
18	AW2006RB-2x09P	16.00	22.00
20	AW2006RB-2x10P	18.00	24.00
22	AW2006RB-2x11P	20.00	26.00
24	AW2006RB-2x12P	22.00	28.00
26	AW2006RB-2x13P	24.00	30.00
28	AW2006RB-2x14P	26.00	32.00
30	AW2006RB-2x15P	28.00	34.00
32	AW2006RB-2x16P	30.00	36.00
34	AW2006RB-2x17P	32.00	38.00
36	AW2006RB-2x18P	34.00	40.00
38	AW2006RB-2x19P	36.00	42.00
40	AW2006RB-2x20P	38.00	44.00