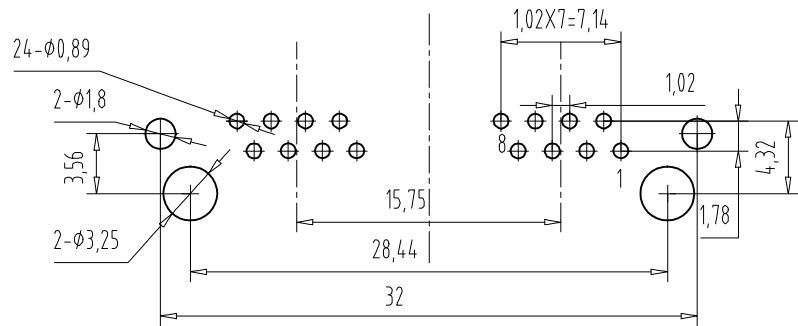
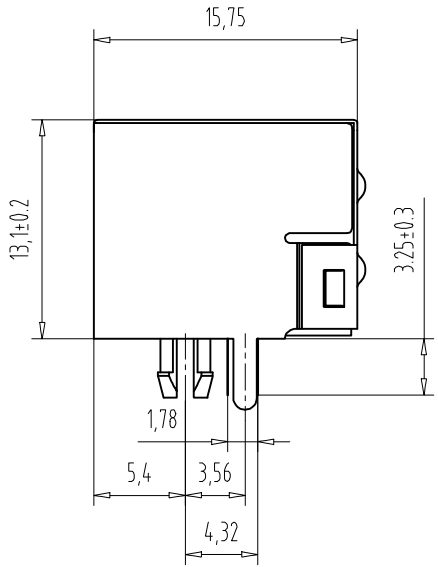
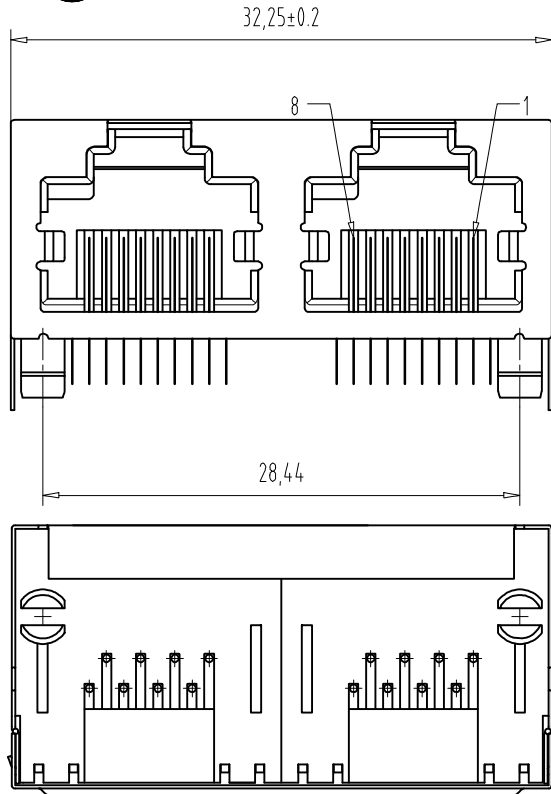


HSF



PC Board Layout  
Component Side Shown

NOTES:

- MATERIAL:
1. HOUSING MATERIAL: GLASS FILLED POYESTER UL94V-0.
  2. CONTACT MATERIAL: PHOSPHOR BRONZE  $t=0.3\text{mm}$
  3. PLATING: SELECTING GOLD PLATING  $1\mu\sim 50\mu$  OVER NICKEL IN CONTACT AREA.  $150\mu$  TIN PLATIN. OVER NICKEL IN SOLDER AREA
  4. SHIELD: 0.2mm THICKNESS COPPER WITH NICKEL PLATE ELECTRICAL
1. VOLTAGE RATING: 125VAC RMS  
2. CURRENT RATING: 1.5AMP  
3. CONTACT RESISTANCE: 30MILLIOHMS MAX  
4. INSULATION RESISTANCE 500MEGOHMS MIN @500V DC  
5. DIELECTRIC WITHSTANDING RESISTANCE: 1000V AC RMS 50Hz. 1MIN MECHANICAL
1. DURRABILITY: 750 CYCLES MIN  
2. PCB RETENTTON PRB-SOLDER: 1 LB MIN REVRONMENTAL
1. STORAGE: -40° C TO 85° C  
2. OPERATION: 0° C TO 70° C

Order code:

ATRJ5621 - 8P - 8C - X - D - B - A  
① ② ③ ④ ⑤ ⑥ ⑦

- ① SERIES NO:  
② NUMBER OF POSITIONS (10P, 8P, 6P, 4P)  
③ NUMBER OF CONTACTS (10C, 8C, 6C, 4C)  
④ Contact Plating  
G0: GOLD flash  
G1: 3U" Gold  
G2: 5U" Gold  
G3: 10U" Gold  
G4: 15U" Gold  
G5: 30U" Gold  
SN: Tin
- ⑤ Shield  
A: W/O Shield  
B: Half Shield  
C: Shield W/Eml  
D: Shield W/O Eml
- ⑥ Ports  
A: 1X1P G: 2X1P  
B: 1X2P H: 2X2P  
C: 1X4P I: 2X3P  
D: 1X5P J: 2X4P  
E: 1X6P K: 2X6P  
F: 1X8P L: 2X8P
- ⑦ LED STYLE:  
A: W/O LED  
B: LEFT YELLOW/RIGHT GREEN  
C: LEFT GREEN/RIGHT YELLOW  
D: LEFT RED/RIGHT GREEN  
E: LEFT GREEN/RIGHT RED  
F: LEFT YELLOW/RIGHT YELLOW  
G: LEFT GREEN/RIGHT GREEN

Unless Otherwise specified tolerance  
X.  $\pm 0.35$  X.XX:  $\pm 0.20$   
X.X:  $\pm 0.25$  X.XXX:  $\pm 0.15$

**Antenk**® ANTENK ELECTRONICS CO., LTD  
Http://www.antenk.com  
E-mail:sales@antenk.com

REV	DESCRIPTION	DATE
1		
2		
3		
4		
5		

SCALE: As Shown	UNIT: mm
DRAW Wu Feng Rong	DATE 22/03/2018
CHECK BobYang	DATE 22/03/2018

TITLE:	RJ45 JACK side entry, 1X2Port shield without EMI&LED
DRAWING NO:	ATRJ5621-8P8C-X-D-B-A
PRODUCT NO:	ATRJ5621-8P8C-X-D-B-A

