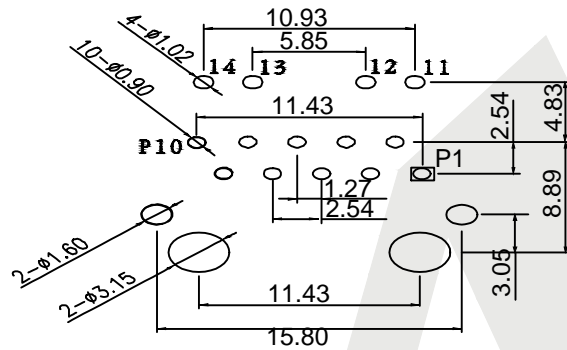
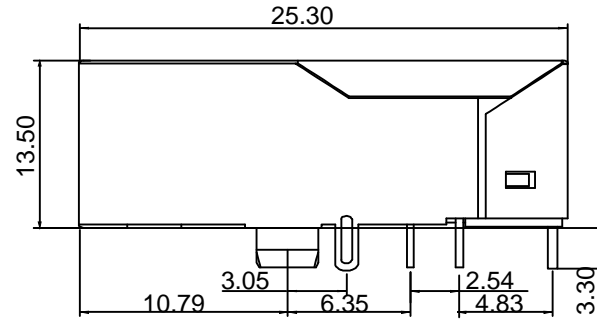
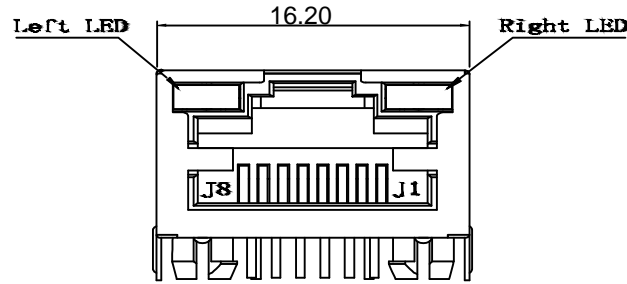
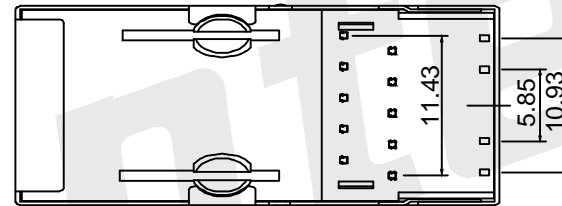


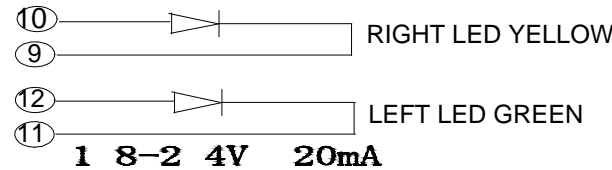
HSF



P.C.B. RECOMMENDED HOLE LAYOUT SHOWN FROM COMPONENT SIDE.  
ALL CENTERLINE DIMENSIONS ARE BASIC



1. Turn Ratio(+/-2%):  
TX=1CT :1CT RX=1CT :1CT
2. Inductance OCL:  
350uH Min @100KHz/0.1V ,8mA DC Bias
3. Insertion Loss:  
-1.0dB Max @1.0-100MHz
4. Return Loss:  
-20dB Min @1-10MHz  
-16dB Min @10-30MHz  
-12dB Min @30-60MHz  
-10dB Min @60-100MHz
5. Cross talk:  
-40dB Min @1-30MHz  
-35dB Min @30-60MHz  
-30dB Min @60-100MHz
6. Common Mode Rejection:  
-30dB Min @1-50MHz  
-20dB Min @50-150MHz
7. HIPOT TEST :1500V AC 1mA 6S
8. OPERATING TEMPERATURE RANGE:0-70 °C



SPECIFICATIONS:

1. Material:
    - 1.1 Housing:Glass Filled Polyester UL94V-0
    - 1.2 Contact:Phosphor Bronze,  $\phi 0.46$ mm
    - 1.3 Plating:Gold Plating Over Nickel
  2. Electrical Characteristic:
    - 2.1 Voltage Rating:125 VAC RMS
    - 2.2 Current Rating:1.5 AMP
    - 2.3 Contact Resistance:45 Milliohms Max
    - 2.4 Insulation Resistance:1000 Megohms Min@500V DC
    - 2.5 Dielectric Withstanding Resistance:1000V AC RMS 60HZ, 1 Min
  3. Mechanical Characteristic:
    - 3.1 Durability:750 Cycles Min
    - 3.2 PCB Retention PRE-Solder:1 LB Min
  4. Environmental:
    - 4.1 Storage:-40° C To 85° C
    - 4.2 Operation:0° C To 70° C
- Mates With Modular Plug Conforming To FCC Part 68, Subpart F

ATRJ5922 - 10P - 8C - X - D - A - D



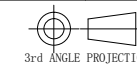
- ① SERIES NO:
- ② NUMBER OF POSITIONS (10P, 8P, 6P, 4P)
- ③ NUMBER OF CONTACTS (10C, 8C, 6C, 4C)
- ④ Contact Plating  
G0:Gold flash  
G1: 3U" Gold  
G2: 5U" Gold  
G3:10U" Gold  
G4:15U" Gold  
G5:30U" Gold  
SN:Tin
- ⑤ Shield  
A:W/O Shield  
B:Half Shield  
C:Shield W/Eml  
D:Shield W/O Eml
- ⑥ Ports  
A:1X1P G:2X1P  
B:1X2P H:2X2P  
C:1X4P I:2X3P  
D:1X5P J:2X4P  
E:1X6P K:2X6P  
F:1X8P L:2X8P
- ⑦ LED STYLE:  
A:W/O LED  
B:LEFT YELLOW/RIGHT GREEN  
C:LEFT GREEN/RIGHT YELLOW  
D:LEFT RED/RIGHT GREEN  
E:LEFT GREEN/RIGHT RED  
F:LEFT YELLOW/RIGHT YELLOW  
G:LEFT GREEN/RIGHT GREEN

Unless Otherwise specified tolerance  
X.  $\pm 0.35$  X.XX:  $\pm 0.20$   
X.X:  $\pm 0.25$  X.XXX:  $\pm 0.15$

**Antenk** ANTENK ELECTRONICS CO.,LTD  
Http://www.antenk.com  
E-mail:sales@antenk.com

SCALE: As Shown UNIT: mm  
DRAW Wu Feng Rong DATE 22/03/2018  
CHECK BobYang DATE 22/03/2018

TITLE: RJ45 Jack side entry 1X1P shielded with LED  
DRAWING NO: ATRJ5922-10P8C-X-D-A-D  
PRODUCT NO: ATRJ5922-10P8C-X-D-A-D



ELECTRICAL SPECIFICATIONS @ 25°C unless otherwise noted:

| REV | DESCRIPTION | DATE |
|-----|-------------|------|
| 1   |             |      |
| 2   |             |      |
| 3   |             |      |
| 4   |             |      |
| 5   |             |      |
| 6   |             |      |
| 7   |             |      |
| 8   |             |      |