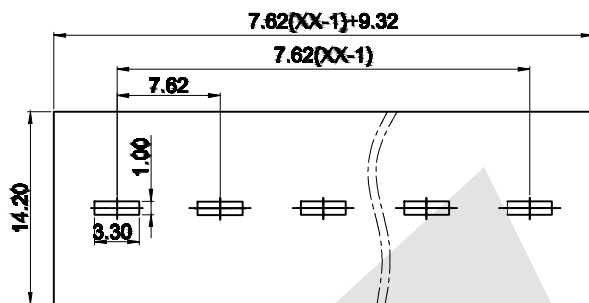
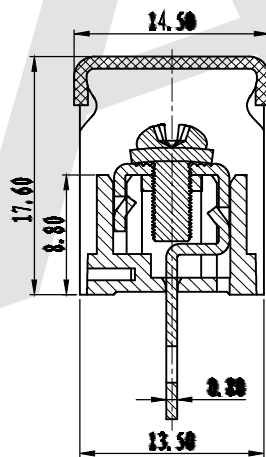
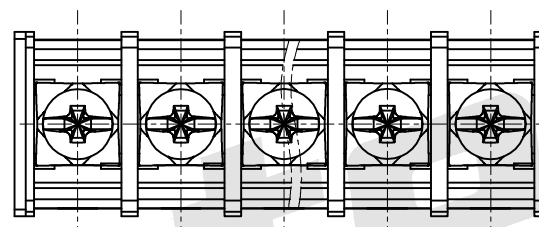


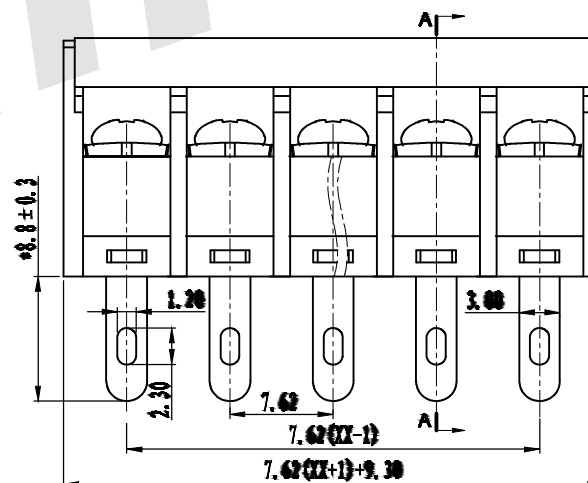
HSF



P.C.B. LAYOUT



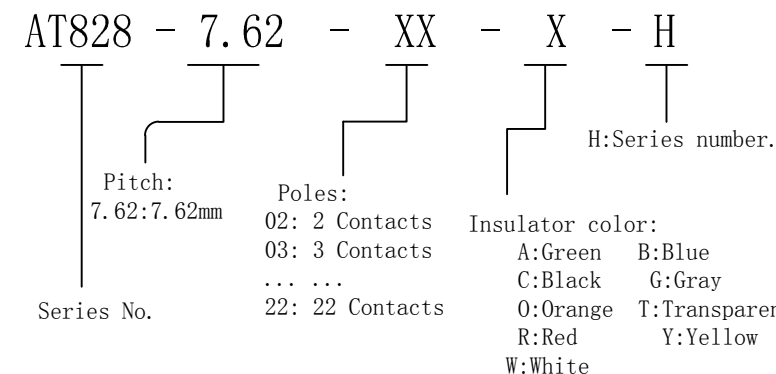
SECTION A-A



SPECIFICATION

Standard(参考标准): UL IEC
Voltage Rating (额定电压): 300V 450V
Current Rating(额定电流): 15A 17.5A
Wire range(使用线径): 22-14AWG 1.5mm²
Withstanding voltage(耐电压): AC2000V/1Min
Insulation resistance(绝缘电阻): 500MΩ/DC500V
Temp Rang(温度范围): -40° C ~ +105° C
Max Torque(最大锁紧力矩): 0.5Nm(4.5lb. in)
Housing(塑件): PA66, UL94V-0
Screw(螺丝): Steel, M3.0 Ni-Plated
Terminal(端子): Brass. 0.8t, Tin Plated
Pitch(间距): 7.62mm
Poles(极数): 2P-24P

Ordering Code:



Unless Otherwise specified tolerance
X. ±0.35 X.XX: ±0.20
X.X: ±0.25 X.XXX: ±0.15

Antenk® ANTENK ELECTRONICS CO., LTD
Http://www.antenk.com
E-mail:sales@antenk.com

SCALE: As Shown UNIT: mm
DRAW Wu Sai DATE 22/03/2018
CHECK BobYang DATE 22/03/2018

TITLE:
Barrier Terminal Block Pitch:7.62mm



DRAWING NO: AT828-7.62XXX-H
PRODUCT NO: AT828-7.62XXX-H

REV	DESCRIPTION	DATE
1		
2		
3		
4		
5		