

SPECIFICATIONS:

- Voltage rating: 50V AC/DC
- Current rating: 1A AC/DC
- Withstanding Voltage: 500V AC/minute
- Insulation resistance: 100MΩ Min.
- Temperature range: -40°C To +105°C
- Contact resistance: 20mΩ Max.

Standards

HSF

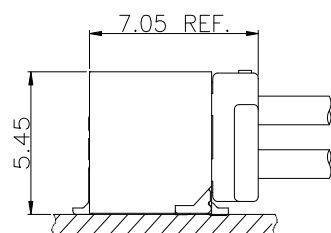
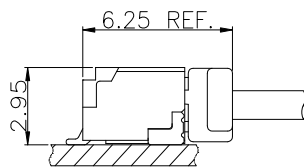


RoHS

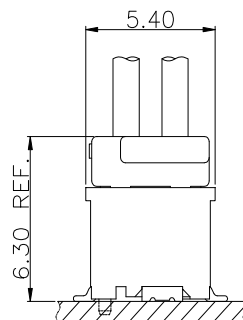
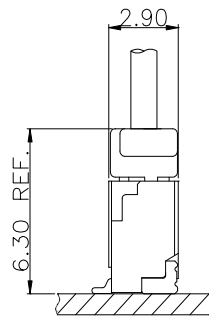
Wire to Board

Assembly Layout

Right Angle Type



Vertical Type

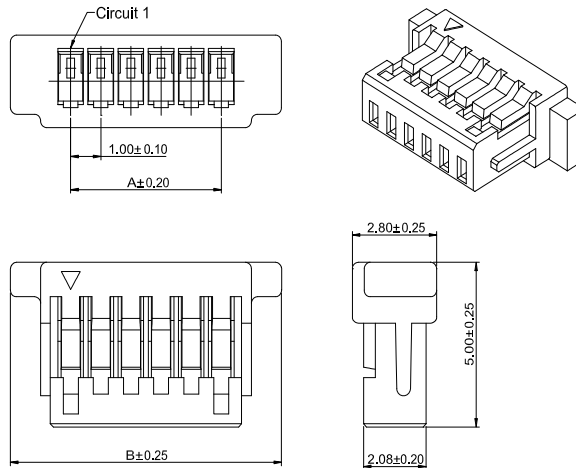


Connectors Expert Around You

1.00mm Pitch single row housing connector

HOUSING

- Part NO.:AH1002-xP
- Suitable:AT1002T-xP series Terminal
- Mates with:AW1002-xP series Single Row Wafer
- Material:PBT,UL94V-0
- Color:White



Ordering Information & Dimensions:

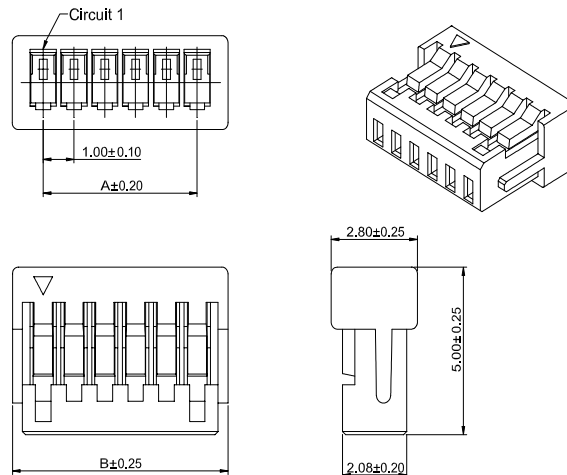
Part No.	Dimensions (mm)	
	A	B
AH1002-02P	1.00	5.00
AH1002-03P	2.00	6.00
AH1002-04P	3.00	7.00
AH1002-05P	4.00	8.00
AH1002-06P	5.00	9.00
AH1002-07P	6.00	10.00
AH1002-08P	7.00	11.00
AH1002-09P	8.00	12.00
AH1002-10P	9.00	13.00
AH1002-11P	10.00	14.00
AH1002-12P	11.00	15.00
AH1002-13P	12.00	16.00
AH1002-14P	13.00	17.00
AH1002-15P	14.00	18.00
AH1002-16P	15.00	19.00
AH1002-17P	16.00	20.00
AH1002-18P	17.00	21.00
AH1002-19P	18.00	22.00
AH1002-20P	19.00	23.00

Wire to Board

1.00mm Pitch single row housing connector

HOUSING

- Part NO.:AH1002-xP-2
- Suitable:AT1002T-xP series Terminal
- Mates with:AW1002-xP series Single Row Wafer
- Material:PBT,UL94V-0
- Color:White



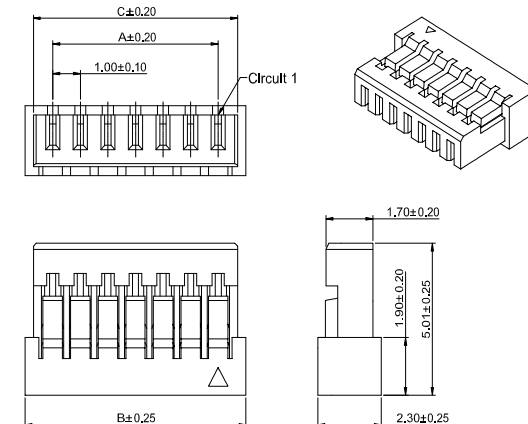
Ordering Information & Dimensions:

Part No.	Dimensions (mm)	
	A	B
AH1002-02P-2	1.00	3.00
AH1002-03P-2	2.00	4.00
AH1002-04P-2	3.00	5.00
AH1002-05P-2	4.00	6.00
AH1002-06P-2	5.00	7.00
AH1002-07P-2	6.00	8.00
AH1002-08P-2	7.00	9.00
AH1002-09P-2	8.00	10.00
AH1002-10P-2	9.00	11.00
AH1002-11P-2	10.00	12.00
AH1002-12P-2	11.00	13.00
AH1002-13P-2	12.00	14.00
AH1002-14P-2	13.00	15.00
AH1002-15P-2	14.00	16.00
AH1002-16P-2	15.00	17.00
AH1002-17P-2	16.00	18.00
AH1002-18P-2	17.00	19.00
AH1002-19P-2	18.00	20.00
AH1002-20P-2	19.00	21.00

1.00mm Pitch single row housing connector

HOUSING

- Part NO.:AH1002A-xP
- Suitable: AT1002AT-xP series Terminal
- Mates with:AW1002VB-S-xP
- AW1002RA-S-xP,AW1002RB-S-xP series Wafer
- Material:PBT,UL94V-0
- Color:White



Ordering Information & Dimensions:

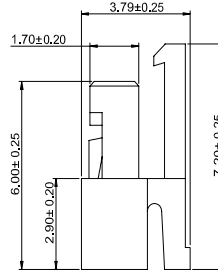
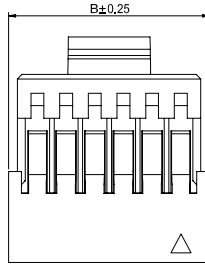
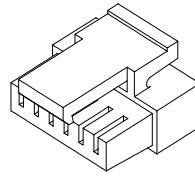
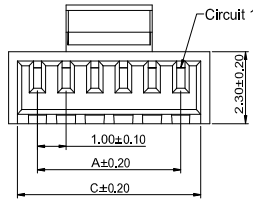
Part No.	Dimensions (mm)		
	A	B	C
AH1002A-02P	1.00	3.00	2.40
AH1002A-03P	2.00	4.00	3.40
AH1002A-04P	3.00	5.00	4.40
AH1002A-05P	4.00	6.00	5.40
AH1002A-06P	5.00	7.00	6.40
AH1002A-07P	6.00	8.00	7.40
AH1002A-08P	7.00	9.00	8.40
AH1002A-09P	8.00	10.00	9.40
AH1002A-10P	9.00	11.00	10.40
AH1002A-11P	10.00	12.00	11.40
AH1002A-12P	11.00	13.00	12.40
AH1002A-13P	12.00	14.00	13.40
AH1002A-14P	13.00	15.00	14.40
AH1002A-15P	14.00	16.00	15.40
AH1002A-16P	15.00	17.00	16.40
AH1002A-17P	16.00	18.00	17.40
AH1002A-18P	17.00	19.00	18.40
AH1002A-19P	18.00	20.00	19.40
AH1002A-20P	19.00	21.00	20.40

Connectors Expert Around You

1.00mm Pitch single row housing connector

HOUSING

- Part NO.:AH1002B-xP
- Suitable:AT1002AT-xP series Terminal
- Mateswith:AW1002VB-S-xP,AW1002RB-S-xP series Wafer
- Material:Nylon 66,UL94V-0
- Color:White



Ordering Information & Dimensions:

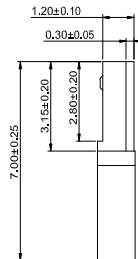
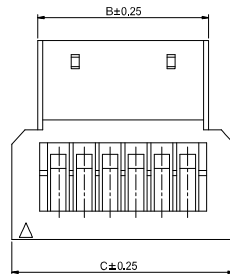
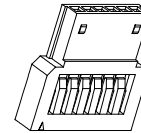
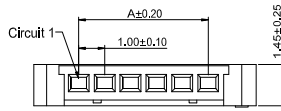
Part No.	Dimensions(mm)		
	A	B	C
AH1002B-02P	1.00	3.00	2.40
AH1002B-03P	2.00	4.00	3.40
AH1002B-04P	3.00	5.00	4.40
AH1002B-05P	4.00	6.00	5.40
AH1002B-06P	5.00	7.00	6.40
AH1002B-07P	6.00	8.00	7.40
AH1002B-08P	7.00	9.00	8.40
AH1002B-09P	8.00	10.00	9.40
AH1002B-10P	9.00	11.00	10.40
AH1002B-11P	10.00	12.00	11.40
AH1002B-12P	11.00	13.00	12.40
AH1002B-13P	12.00	14.00	13.40
AH1002B-14P	13.00	15.00	14.40
AH1002B-15P	14.00	16.00	15.40
AH1002B-16P	15.00	17.00	16.40
AH1002B-17P	16.00	18.00	17.40
AH1002B-18P	17.00	19.00	18.40
AH1002B-19P	18.00	20.00	19.40
AH1002B-20P	19.00	21.00	20.40

Wire to Board

1.00mm Pitch single row housing connector

HOUSING

- Part NO.:AH1002C-xP
- Suitable:AT1002CT-xP series Terminal
- Material:Nylon 46,UL94V-0
- Color:Ivory



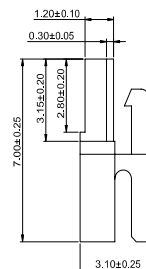
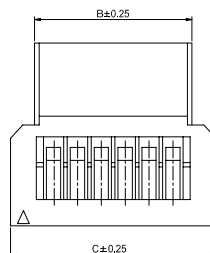
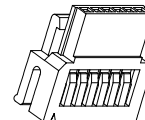
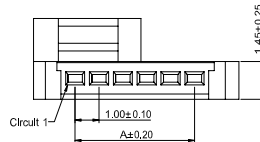
Ordering Information & Dimensions:

Poles	Part No.	Dimensions(mm)		
		A	B	C
04	AH1002C-04P	3.00	4.60	6.60
06	AH1002C-06P	5.00	6.60	8.60

1.00mm Pitch single row housing connector

HOUSING

- Part NO.:AH1002D-xP
- Suitable:AT1002CT-xP series Terminal
- Material:Nylon 46,UL94V-0
- Color:Ivory



Ordering Information & Dimensions:

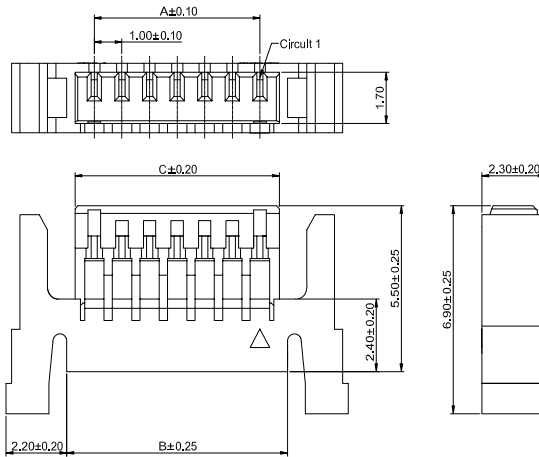
Poles	Part No.	Dimensions(mm)		
		A	B	C
04	AH1002D-04P	3.00	4.60	6.60
06	AH1002D-06P	5.00	6.60	8.60

Connectors Expert Around You

1.00mm Pitch single row housing connector

HOUSING

- Part NO.:AH1002E-xP
- Suitable:AT1002AT-xP series Terminal
- Mates with:AW1002RC-S-xP series Wafer
- Material:Nylon 66,UL94V-0
- Color:White



Ordering Information & Dimensions:

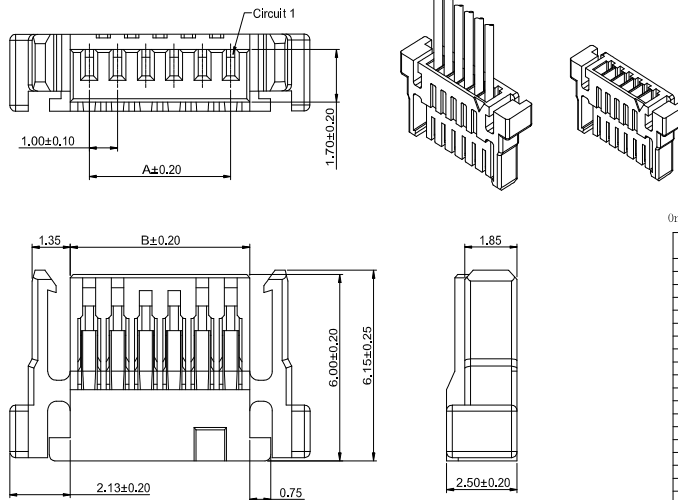
Part No.	Dimensions(mm)		
	A	B	C
AH1002E-02P	1.00	3.00	2.40
AH1002E-03P	2.00	4.00	3.40
AH1002E-04P	3.00	5.00	4.40
AH1002E-05P	4.00	6.00	5.40
AH1002E-06P	5.00	7.00	6.40
AH1002E-07P	6.00	8.00	7.40
AH1002E-08P	7.00	9.00	8.40
AH1002E-09P	8.00	10.00	9.40
AH1002E-10P	9.00	11.00	10.40
AH1002E-11P	10.00	12.00	11.40
AH1002E-12P	11.00	13.00	12.40
AH1002E-13P	12.00	14.00	13.40
AH1002E-14P	13.00	15.00	14.40
AH1002E-15P	14.00	16.00	15.40
AH1002E-16P	15.00	17.00	16.40
AH1002E-17P	16.00	18.00	17.40
AH1002E-18P	17.00	19.00	18.40
AH1002E-19P	18.00	20.00	19.40
AH1002E-20P	19.00	21.00	20.40

Wire to Board

1.00mm Pitch 180° single row housing connector

HOUSING

- Part NO.:AH1002G-xP
- Suitable:AT1002DT-xP series Terminal
- Mates with:AW1002RD-S-xP series Wafer
- Material:Nylon 66,UL94V-0
- Color:White



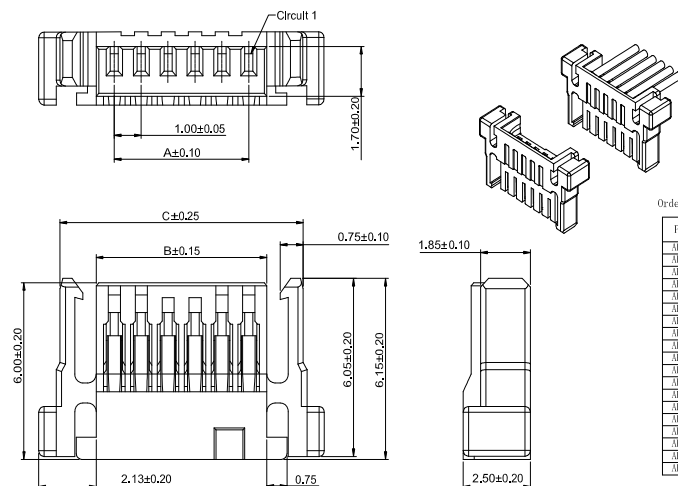
Ordering Information & Dimensions:

Part No.	Dimensions(mm)	
	A	B
AH1002G-02P	1.00	2.30
AH1002G-03P	2.00	3.30
AH1002G-04P	3.00	4.30
AH1002G-05P	4.00	5.30
AH1002G-06P	5.00	6.30
AH1002G-07P	6.00	7.30
AH1002G-08P	7.00	8.30
AH1002G-09P	8.00	9.30
AH1002G-10P	9.00	10.30
AH1002G-11P	10.00	11.30
AH1002G-12P	11.00	12.30
AH1002G-13P	12.00	13.30
AH1002G-14P	13.00	14.30
AH1002G-15P	14.00	15.30
AH1002G-16P	15.00	16.30
AH1002G-17P	16.00	17.30
AH1002G-18P	17.00	18.30
AH1002G-19P	18.00	19.30
AH1002G-20P	19.00	20.30

1.00mm Pitch 90° single row housing connector

HOUSING

- Part NO.:AH1002I-xP
- Suitable:AT1002DT-xP series Terminal
- Mates with:AW1002RD-S-xP series Wafer
- Material:Nylon 66,UL94V-0
- Color:White



Ordering Information & Dimensions:

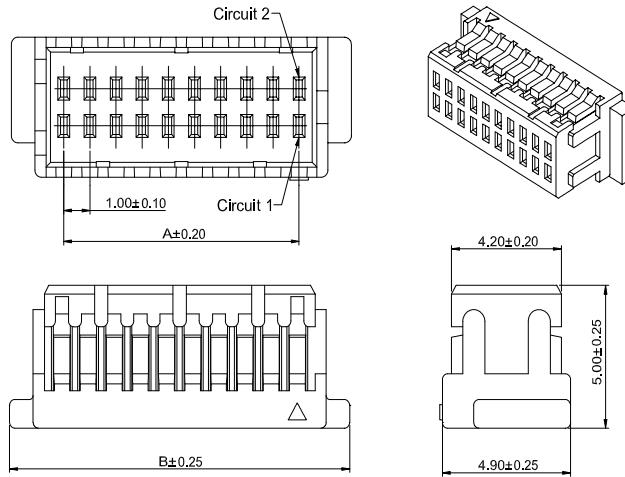
Part No.	Dimensions(mm)	
	A	B
AH1002I-02P	1.00	2.30
AH1002I-03P	2.00	3.30
AH1002I-04P	3.00	4.30
AH1002I-05P	4.00	5.30
AH1002I-06P	5.00	6.30
AH1002I-07P	6.00	7.30
AH1002I-08P	7.00	8.30
AH1002I-09P	8.00	9.30
AH1002I-10P	9.00	10.30
AH1002I-11P	10.00	11.30
AH1002I-12P	11.00	12.30
AH1002I-13P	12.00	13.30
AH1002I-14P	13.00	14.30
AH1002I-15P	14.00	15.30
AH1002I-16P	15.00	16.30
AH1002I-17P	16.00	17.30
AH1002I-18P	17.00	18.30
AH1002I-19P	18.00	19.30
AH1002I-20P	19.00	20.30

Connectors Expert Around You

1.00mm Pitch dual row housing connector

HOUSING

- Part NO.:AH1002-2xNP
- Suitable:AT1002T-xP series Terminal
- Mates with:AW1002 series Dual Row Wafer
- Material:PBT,UL94V-0
- Color:White



Ordering Information & Dimensions:

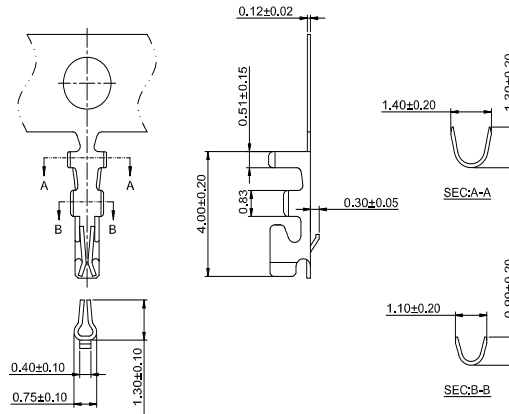
Part No.	Dimensions (mm)	
	A	B
AH1002-2x06P	5.00	9.00
AH1002-2x08P	7.00	11.00
AH1002-2x10P	9.00	13.00
AH1002-2x15P	14.00	18.00
AH1002-2x20P	19.00	23.00
AH1002-2x25P	24.00	28.00

Wire to Board

1.00mm Pitch crimp terminal connector

TERMINAL

- Part NO:AT1002T-xP
- Applicable wire:AWG#28-#32
- Material:Phosphor Bronze
- Finish:Tin Plated or Gold
- Used in AH1002-xP,AH1002-xP-2 series Housing



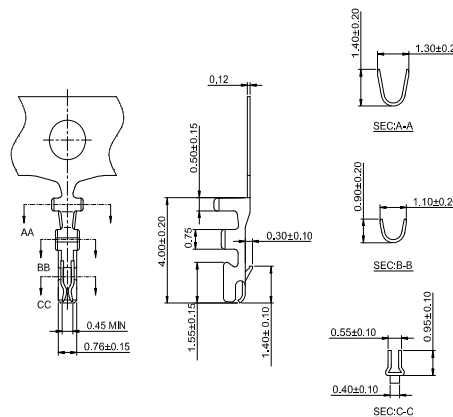
Ordering information & Specifications

Part NO.	Wire Range	Insulation O.D.	Material	Finish	Qty/reel
AT1002T-TP	AWG#28-#32	0.80mm(max)	Phosphor Bronze	Tin over Nickel	20,000 PCS
AT1002T-GP	AWG#28-#32	0.80mm(max)	Phosphor Bronze	Gold over flash	20,000 PCS

1.00mm Pitch crimp terminal connector

TERMINAL

- Part NO:AT1002AT-xP
- Applicable wire:AWG#28-#32
- Material:Phosphor Bronze
- Finish:Tin Plated or Gold
- Used in AH1002A-xP,AH1002B-xP series Housing



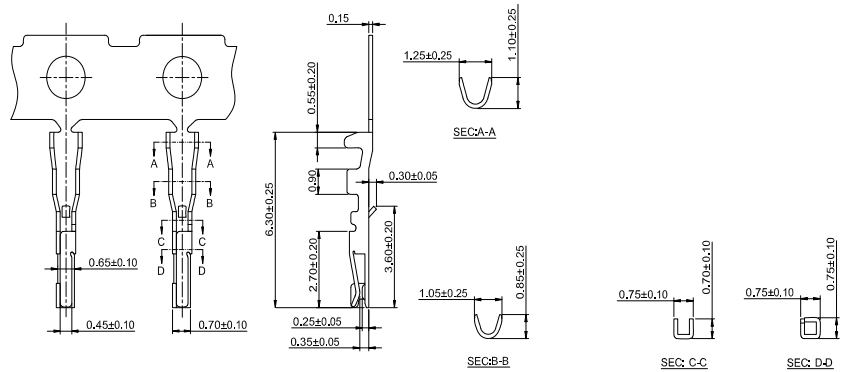
Ordering information & Specifications

Part NO.	Wire Range	Insulation O.D.	Material	Finish	Qty/reel
AT1002AT-TP	AWG#28-#32	0.80mm(max)	Phosphor Bronze	Tin over Nickel	20,000 PCS
AT1002AT-GP	AWG#28-#32	0.80mm(max)	Phosphor Bronze	Gold over flash	20,000 PCS

1.00mm Pitch crimp terminal connector

TERMINAL

- Part NO:AT1002CT-xP
- Applicable wire:AWG#28-#32
- Material:Phosphor Bronze
- Finish:Tin Plated or Gold
- Used in AH1002C-xP,AH1002D-xP series Housing



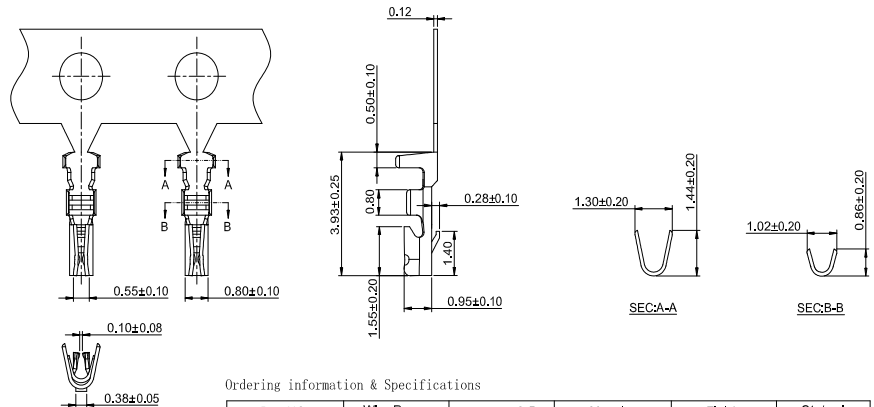
Ordering information & Specifications

Part NO.	Wire Range	Insulation O.D.	Material	Finish	Qty/reel
AT1002CT-TP	AWG#28-#32	0.80mm(max)	Phosphor Bronze	Tin over Nickel	20,000 PCS
AT1002CT-CP	AWG#28-#32	0.80mm(max)	Phosphor Bronze	Gold over flash	20,000 PCS

1.00mm Pitch crimp terminal connector

TERMINAL

- Part NO:AT1002DT-xP
- Applicable wire:AWG#28-#32
- Material:Phosphor Bronze
- Finish:Tin Plated or Gold
- Used in AH1002G-xP,AH1002I-xP series Housing



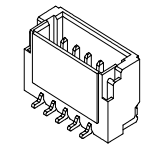
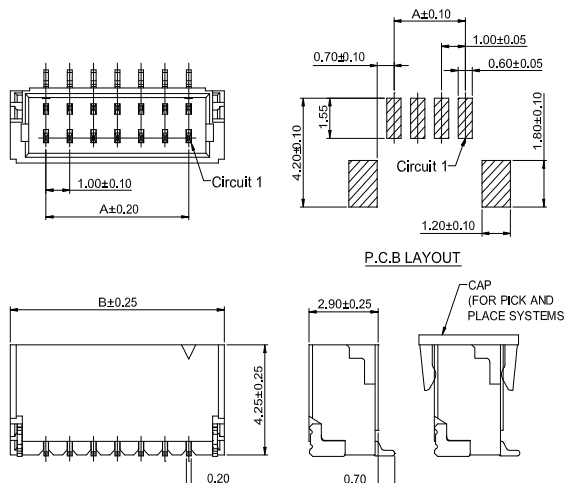
Ordering information & Specifications

Part NO.	Wire Range	Insulation O.D.	Material	Finish	Qty/reel
AT1002DT-TP	AWG#28-#32	0.80mm(max)	Phosphor Bronze	Tin over Nickel	20,000 PCS
AT1002DT-CP	AWG#28-#32	0.80mm(max)	Phosphor Bronze	Gold over flash	20,000 PCS

1.00mm Pitch 180° single row wafer-smt connector

WAFER

- Part NO:AW1002V-S-xP
- Material:
- Pin:Phosphor Bronze/Tin over Nickel
- Solder Tabs: Phosphor Bronze/Tin over Nickel
- Insulator:Nylon 6T, UL94V-0
- Mates with:AH1002-xP series Single Row Housing
- Color: Ivory



Ordering Information & Dimensions:

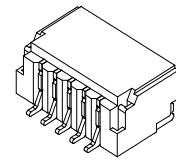
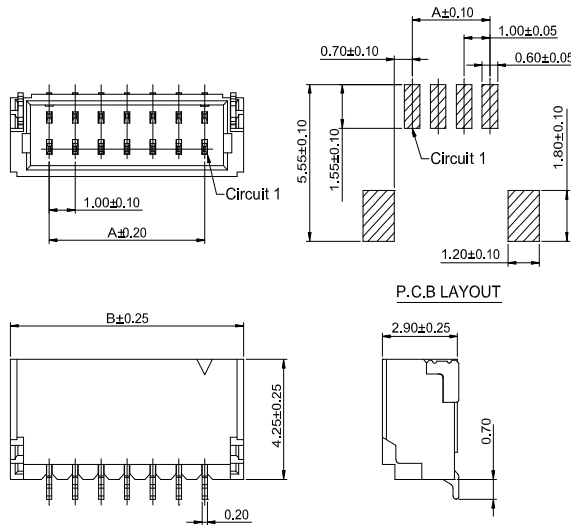
Part No.	Dimensions (mm)	
	A	B
AH1002V-S-02P	1.00	4.00
AH1002V-S-03P	2.00	5.00
AH1002V-S-04P	3.00	6.00
AH1002V-S-05P	4.00	7.00
AH1002V-S-06P	5.00	8.00
AH1002V-S-07P	6.00	9.00
AH1002V-S-08P	7.00	10.00
AH1002V-S-09P	8.00	11.00
AH1002V-S-10P	9.00	12.00
AH1002V-S-11P	10.00	13.00
AH1002V-S-12P	11.00	14.00
AH1002V-S-13P	12.00	15.00
AH1002V-S-14P	13.00	16.00
AH1002V-S-15P	14.00	17.00
AH1002V-S-16P	15.00	18.00
AH1002V-S-17P	16.00	19.00
AH1002V-S-18P	17.00	20.00
AH1002V-S-19P	18.00	21.00
AH1002V-S-20P	19.00	22.00

Connectors Expert Around You

1.00mm Pitch 90° single row wafer-smt connector

WAFER

- Part NO:AW1002R-S-xP
- Material:Pin:Phosphor Bronze/Tin over Nickel
Solder Tabs: Phosphor Bronze/Tin over Nickel
Insulator:Nylon 6T, UL94V-0
- Mates with:AH1002-xP series Single Row Housing
- Color: Ivory



Ordering Information & Dimensions:

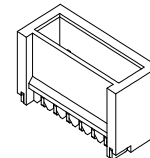
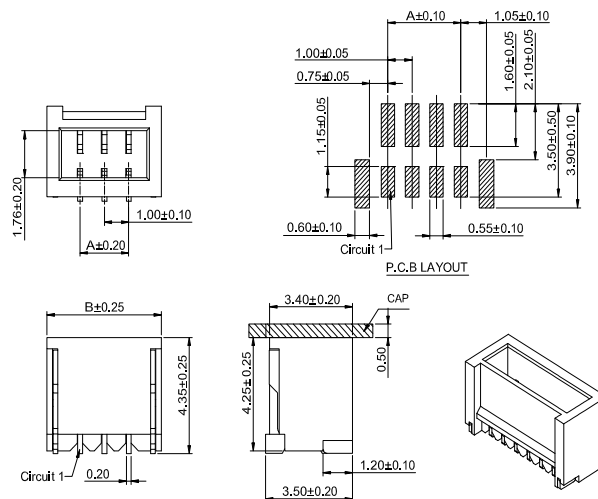
Part No.	Dimensions (mm)	
	A	B
AW1002R-S-02P	1.00	4.00
AW1002R-S-03P	2.00	5.00
AW1002R-S-04P	3.00	6.00
AW1002R-S-05P	4.00	7.00
AW1002R-S-06P	5.00	8.00
AW1002R-S-07P	6.00	9.00
AW1002R-S-08P	7.00	10.00
AW1002R-S-09P	8.00	11.00
AW1002R-S-10P	9.00	12.00
AW1002R-S-11P	10.00	13.00
AW1002R-S-12P	11.00	14.00
AW1002R-S-13P	12.00	15.00
AW1002R-S-14P	13.00	16.00
AW1002R-S-15P	14.00	17.00
AW1002R-S-16P	15.00	18.00
AW1002R-S-17P	16.00	19.00
AW1002R-S-18P	17.00	20.00
AW1002R-S-19P	18.00	21.00
AW1002R-S-20P	19.00	22.00

Wire to Board

1.00mm Pitch 180° single row wafer-smt connector

WAFER

- Part NO:AW1002VB-S-xP
- Material:Pin:Phosphor Bronze/Tin over Nickel
Solder Tabs: Phosphor Bronze/Tin over Nickel
Insulator:Nylon 9T, UL94V-0
- Mates with: AH1002B-xP series Single Row Housing
- Color: Ivory



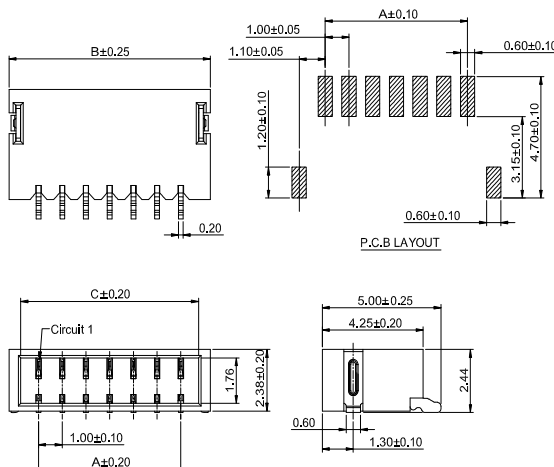
Ordering Information & Dimensions:

Part No.	Dimensions (mm)	
	A	B
AW1002VB-S-02P	1.00	3.70
AW1002VB-S-03P	2.00	4.70
AW1002VB-S-04P	3.00	5.70
AW1002VB-S-05P	4.00	6.70
AW1002VB-S-06P	5.00	7.70
AW1002VB-S-07P	6.00	8.70
AW1002VB-S-08P	7.00	9.70
AW1002VB-S-09P	8.00	10.70
AW1002VB-S-10P	9.00	11.70
AW1002VB-S-11P	10.00	12.70
AW1002VB-S-12P	11.00	13.70
AW1002VB-S-13P	12.00	14.70
AW1002VB-S-14P	13.00	15.70
AW1002VB-S-15P	14.00	16.70
AW1002VB-S-16P	15.00	17.70
AW1002VB-S-17P	16.00	18.70
AW1002VB-S-18P	17.00	19.70
AW1002VB-S-19P	18.00	20.70
AW1002VB-S-20P	19.00	21.70

1.00mm Pitch 90° single row wafer-smt connector

WAFER

- Part NO:AW1002RA-S-xP
- Material:Pin:Brass/Tin over Nickel
Solder Tabs: Brass/Tin over Nickel
Insulator: Nylon 6T, UL94V-0
- Mates with:AH1002A-xP series Single Row Housing
- Color: Ivory



Ordering Information & Dimensions:

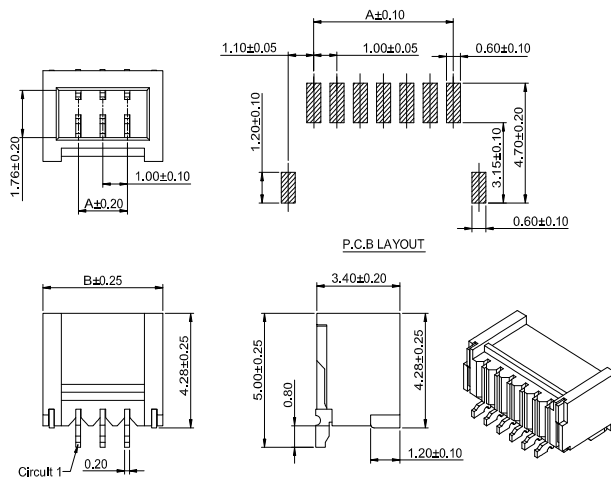
Part No.	Dimensions (mm)		
	A	B	C
AW1002RA-S-02P	1.00	3.50	2.50
AW1002RA-S-03P	2.00	4.50	3.50
AW1002RA-S-04P	3.00	5.50	4.50
AW1002RA-S-05P	4.00	6.50	5.50
AW1002RA-S-06P	5.00	7.50	6.50
AW1002RA-S-07P	6.00	8.50	7.50
AW1002RA-S-08P	7.00	9.50	8.50
AW1002RA-S-09P	8.00	10.50	9.50
AW1002RA-S-10P	9.00	11.50	10.50
AW1002RA-S-11P	10.00	12.50	11.50
AW1002RA-S-12P	11.00	13.50	12.50
AW1002RA-S-13P	12.00	14.50	13.50
AW1002RA-S-14P	13.00	15.50	14.50
AW1002RA-S-15P	14.00	16.50	15.50
AW1002RA-S-16P	15.00	17.50	16.50
AW1002RA-S-17P	16.00	18.50	17.50
AW1002RA-S-18P	17.00	19.50	18.50
AW1002RA-S-19P	18.00	20.50	19.50
AW1002RA-S-20P	19.00	21.50	20.50

Connectors Expert Around You

1.00mm pitch 90° single row wafer-smt connector

WAFER

- Part NO:AW1002RB-S-xP
- Material:Pin:Phosphor Bronze/Tin over Nickel
Solder Tabs: Phosphor Bronze/Tin over Nickel
Insulator:Nylon 9T UL94V-0
- Mates with:AH1002B-xP series Single Row Housing
- Color: Ivory



Ordering Information & Dimensions:

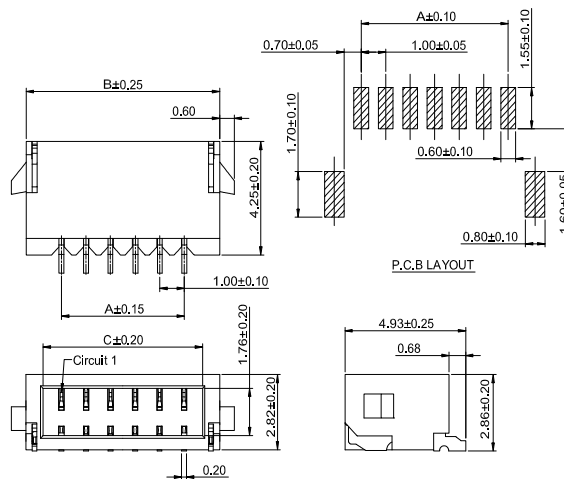
Part No.	Dimensions (mm)	
	A	B
AW1002RB-S-02P	1.00	3.70
AW1002RB-S-03P	2.00	4.70
AW1002RB-S-04P	3.00	5.70
AW1002RB-S-05P	4.00	6.70
AW1002RB-S-06P	5.00	7.70
AW1002RB-S-07P	6.00	8.70
AW1002RB-S-08P	7.00	9.70
AW1002RB-S-09P	8.00	10.70
AW1002RB-S-10P	9.00	11.70
AW1002RB-S-11P	10.00	12.70
AW1002RB-S-12P	11.00	13.70
AW1002RB-S-13P	12.00	14.70
AW1002RB-S-14P	13.00	15.70
AW1002RB-S-15P	14.00	16.70
AW1002RB-S-16P	15.00	17.70
AW1002RB-S-17P	16.00	18.70
AW1002RB-S-18P	17.00	19.70
AW1002RB-S-19P	18.00	20.70
AW1002RB-S-20P	19.00	21.70

Wire to Board

1.00mm pitch 90° single row wafer-smt connector

WAFER

- Part NO:AW1002RC-S-xP
- Material: Pin:Brass/Tin over Nickel
Solder Tabs: Brass/Tin over Nickel
Insulator:Nylon 9T, UL94V-0
- Mates with:AH1002E-xP series Single Row Housing
- Color: Ivory



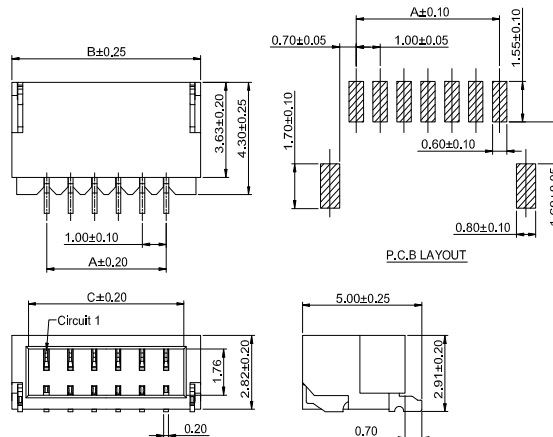
Ordering Information & Dimensions:

Part No.	Dimensions (mm)		
	A	B	C
AW1002RC-S-02P	1.00	3.90	2.50
AW1002RC-S-03P	2.00	4.90	3.50
AW1002RC-S-04P	3.00	5.90	4.50
AW1002RC-S-05P	4.00	6.90	5.50
AW1002RC-S-06P	5.00	7.90	6.50
AW1002RC-S-07P	6.00	8.90	7.50
AW1002RC-S-08P	7.00	9.90	8.50
AW1002RC-S-09P	8.00	10.90	9.50
AW1002RC-S-10P	9.00	11.90	10.50
AW1002RC-S-11P	10.00	12.90	11.50
AW1002RC-S-12P	11.00	13.90	12.50
AW1002RC-S-13P	12.00	14.90	13.50
AW1002RC-S-14P	13.00	15.90	14.50
AW1002RC-S-15P	14.00	16.90	15.50
AW1002RC-S-16P	15.00	17.90	16.50
AW1002RC-S-17P	16.00	18.90	17.50
AW1002RC-S-18P	17.00	19.90	18.50
AW1002RC-S-19P	18.00	20.90	19.50
AW1002RC-S-20P	19.00	21.90	20.50

1.00mm Pitch 90° single row wafer-smt connector

WAFER

- Part NO:AW1002RD-S-xP
- Material: Pin:Brass/Tin over Nickel
Solder Tabs: Brass/Tin over Nickel
Insulator:Nylon 9T, UL94V-0
- Mates with:AH1002G-xP,AH1002I-xP series Single Row Housing
- Color: Ivory



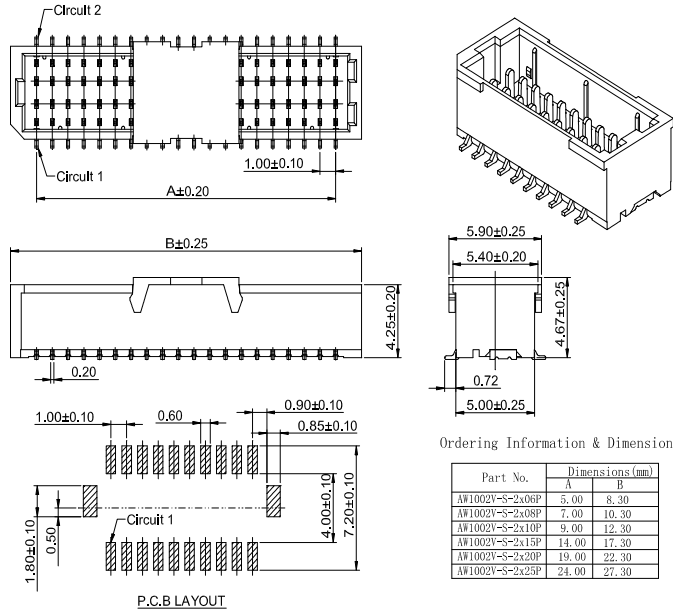
Ordering Information & Dimensions:

Part No.	Dimensions (mm)		
	A	B	C
AW1002RD-S-02P	1.00	3.90	2.50
AW1002RD-S-03P	2.00	4.90	3.50
AW1002RD-S-04P	3.00	5.90	4.50
AW1002RD-S-05P	4.00	6.90	5.50
AW1002RD-S-06P	5.00	7.90	6.50
AW1002RD-S-07P	6.00	8.90	7.50
AW1002RD-S-08P	7.00	9.90	8.50
AW1002RD-S-09P	8.00	10.90	9.50
AW1002RD-S-10P	9.00	11.90	10.50
AW1002RD-S-11P	10.00	12.90	11.50
AW1002RD-S-12P	11.00	13.90	12.50
AW1002RD-S-13P	12.00	14.90	13.50
AW1002RD-S-14P	13.00	15.90	14.50
AW1002RD-S-15P	14.00	16.90	15.50
AW1002RD-S-16P	15.00	17.90	16.50
AW1002RD-S-17P	16.00	18.90	17.50
AW1002RD-S-18P	17.00	19.90	18.50
AW1002RD-S-19P	18.00	20.90	19.50
AW1002RD-S-20P	19.00	21.90	20.50

1.00mm Pitch 180° dual row wafer-smt connector

WAFER

- Part NO:AW1002V-S-2xNP
- Material:
- Pin:Phosphor Bronze/Tin over Nickel
- Solder Tabs:Phosphor Bronze/Tin over Nickel
- Insulator:Nylon 6T, UL94V-0
- Mates with:AH1002-2xNP series Dual Row Housing
- Color: Ivory

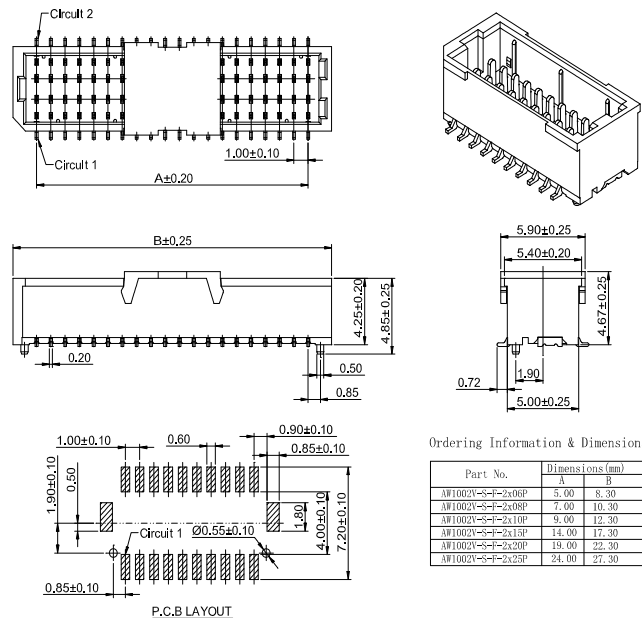


Wire to Board

1.00mm Pitch 180° dual row wafer-smt connector

WAFER

- Part NO:AW1002V-S-F-2xNP
- Material:
- Pin:Phosphor Bronze/Tin over Nickel
- Solder Tabs:Phosphor Bronze/Tin over Nickel
- Insulator:Nylon 6T, UL94V-0
- Mates with:AH1002-2xNP series Dual Row Housing
- Color: Ivory



1.00mm Pitch 90° dual row wafer-smt connector

WAFER

- Part NO:AW1002R-S-2xNP
- Material:
- Pin:Phosphor Bronze/Tin over Nickel
- Solder Tabs:Phosphor Bronze/Tin over Nickel
- Insulator:Nylon 6T, UL94V-0
- Mates with:AH1002-2xNP series Dual Row Housing
- Color: Ivory

