

二位二通电磁阀 (锥阀型)
Two Way Two Position (Poppet-type)



DHF16-220 常闭型 Normally Closed

工作过程描述:

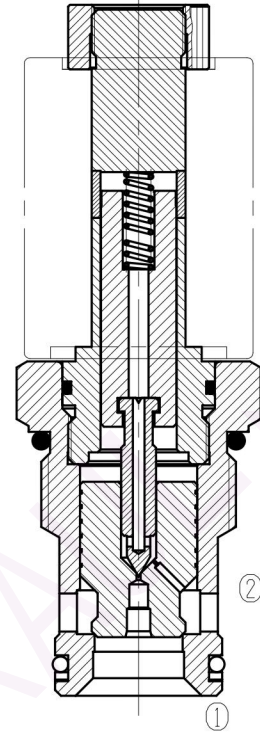
Description of the process

当电磁铁不通电时, ②到①关闭, ①到②作

为单向阀开启; 当电磁铁通电时, ②到①

开启, ①到②有严重的节流。

When de-energized, the valve acts as a check valve, allowing flow from ① to ②, while blocking flow from ② to ①; When energized, allowing flow from ② to ①, while ① to ② is severely restricted.



技术参数:

Specifications:

最高工作压力: 250bar

Max. Working Pressure

可通过最大流量: 见压力-流量曲线

Flow Max. See Performance

内泄漏量: 0.3ml/min at 210bar

Internal Leakage 5drops/min

工作电压: 12VDC、24VDC、110VAC、220VAC

Operating Volt

最小工作电压: 正常电压85%

Min Voltage Requires 85% of normal voltage

过滤精度: 20μm or better

Filtration Of Oil

标准插孔: T7-1

Type of Standard Cavity See Page 7.1.3

使用温度: -30~+100℃(丁腈橡胶)

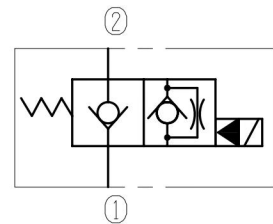
Temperature Standard Buna Seals

标准阀块型号: T7-11*/13*/14*/16*

Standard Block Model See Page 1.5.4

机能符号:

Symbol:

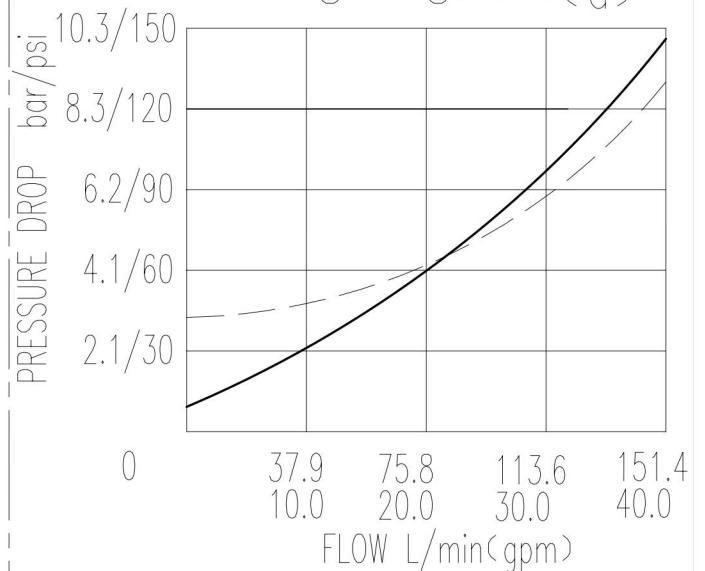


压力-流量曲线:

32 cST Oil/40°C

Characteristic: ② — ① — (e)

① — ② — (d)

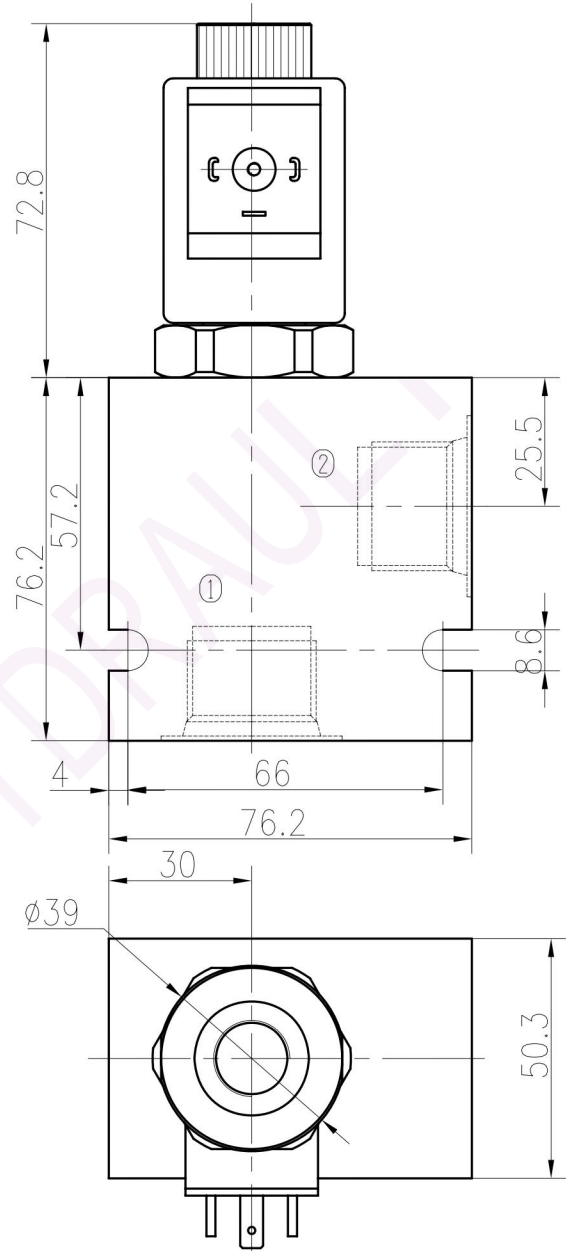
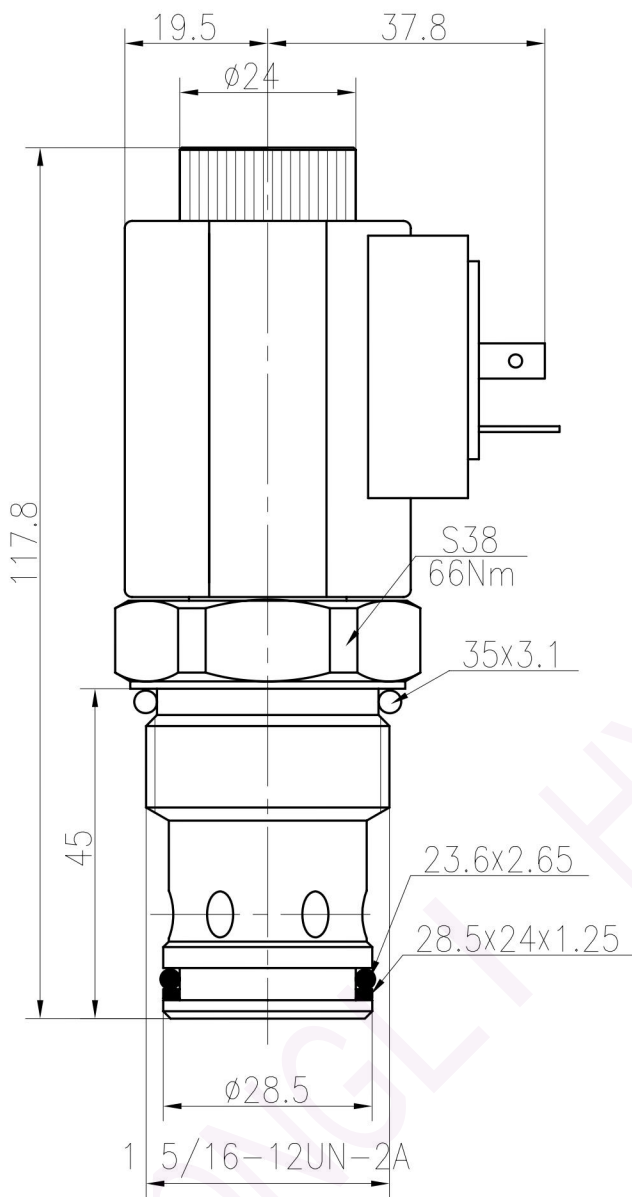


二位二通电磁阀 (锥阀型)
Two Way Two Position (Poppet-type)



DHF16-220 常闭型 Normally Closed

外形尺寸: Profile dimensions



TO ORDER

DHF16-220

电磁阀 Solenoid Valve
阀芯机能 Function

阀块油口 Body Porting

省略为不带阀块 Omit for Cartridge only

G3/4 5G
G1 6G
SAE10 10T
SAE12 12T

密封材质 Seals

丁腈橡胶
Buna(Std.) N

氟橡胶
Fluorocarbon V

电压 Voltage

12 12VDC
24 24VDC
110 110VAC
220 220VAC

接线形式

Connection

DL Double Leads (双线)
DH Electrical Outlet (插头)
DR Deutsch DT04-2P

二位二通电磁阀 (锥阀型)
Two Way Two Position (Poppet-type)



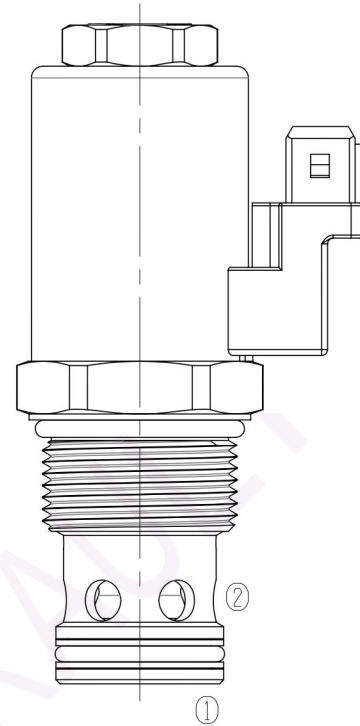
DHF16-221 常开型 Normally Open

工作过程描述:

Description of the process

当电磁铁通电时, ②到①关闭, ①到②作为单向阀开启; 当电磁铁不通电时, ②到①开启, ①到②有严重的节流。手动操作时, 推动推杆并保持, ②到①关闭, 释放推杆, ②到①开启。

When energized, the valve acts as a check valve, allowing flow from ① to ②, while blocking flow from ② to ①; When de-energized, allowing flow from ② to ①, while ① to ② is severely restricted. To override, push button and remain, the valve blocking flow from ② to ①; Release the button, then the valve allowing flow from ② to ①.



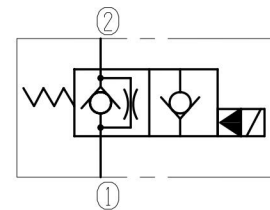
技术参数:

Specifications:

最高工作压力:	250bar
Max. Working Pressure	
可通过最大流量:	见压力-流量曲线
Flow Max.	See Performance
内泄漏量:	0.3ml/min at 210bar
Internal Leakage	5drops/min
工作电压:	12VDC、24VDC、110VAC、220VAC
Operating Volt	
最小工作电压:	正常电压85%
Min Voltage Requires	85% of normal voltage
过滤精度:	20μm or better
Filtration Of Oil	
标准插孔:	T7-1
Type of Standard Cavity	See Page 7.1.3
使用温度:	-30~+100℃(丁腈橡胶)
Temperature	Standard Buna Seals
标准阀块型号:	T7-11*/13*/14*/16*
Standard Block Model	See Page 1.5.4

机能符号:

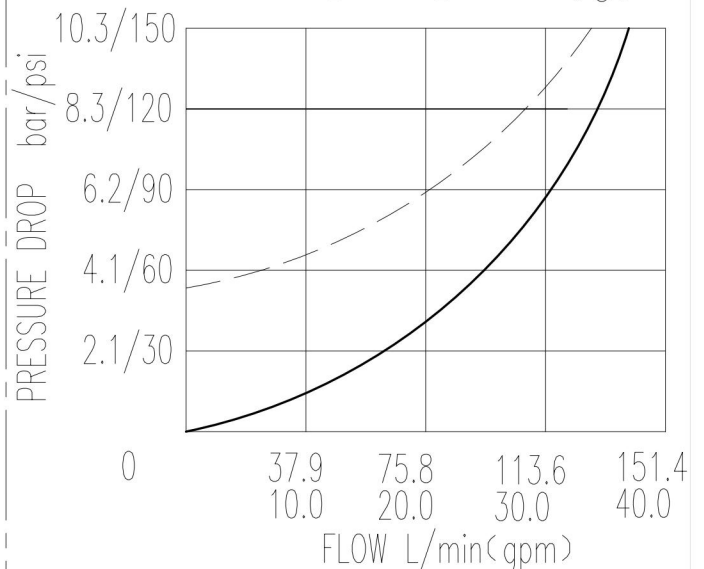
Symbol:



压力-流量曲线:

32 cST Oil/40°C

Characteristic: ② — ① — (d)
① — ② — (e)

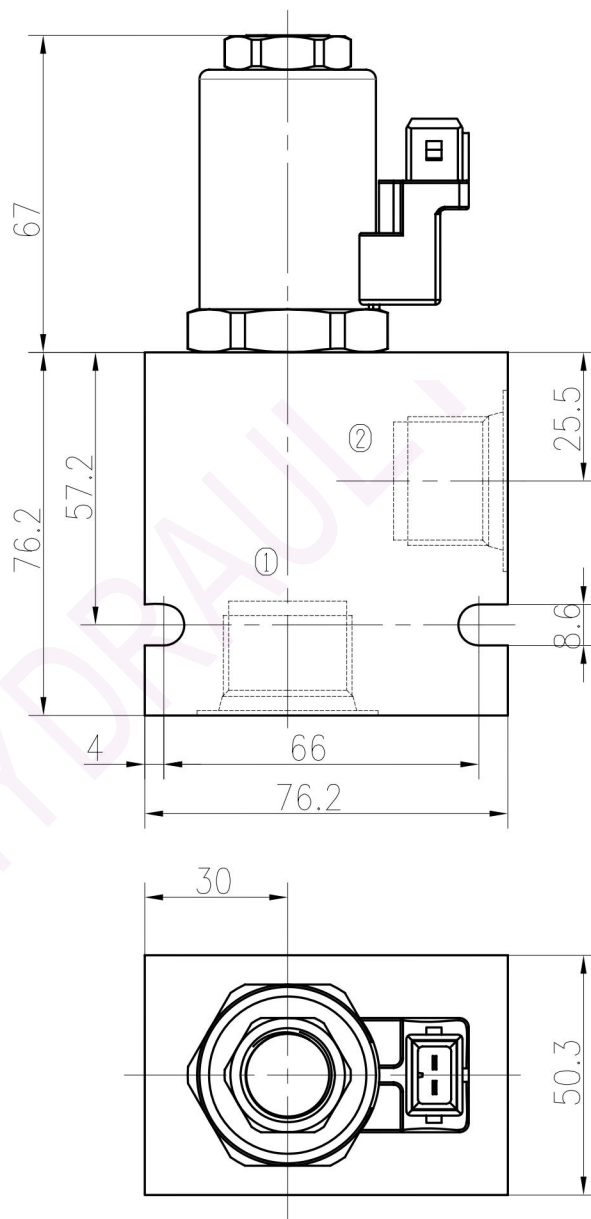
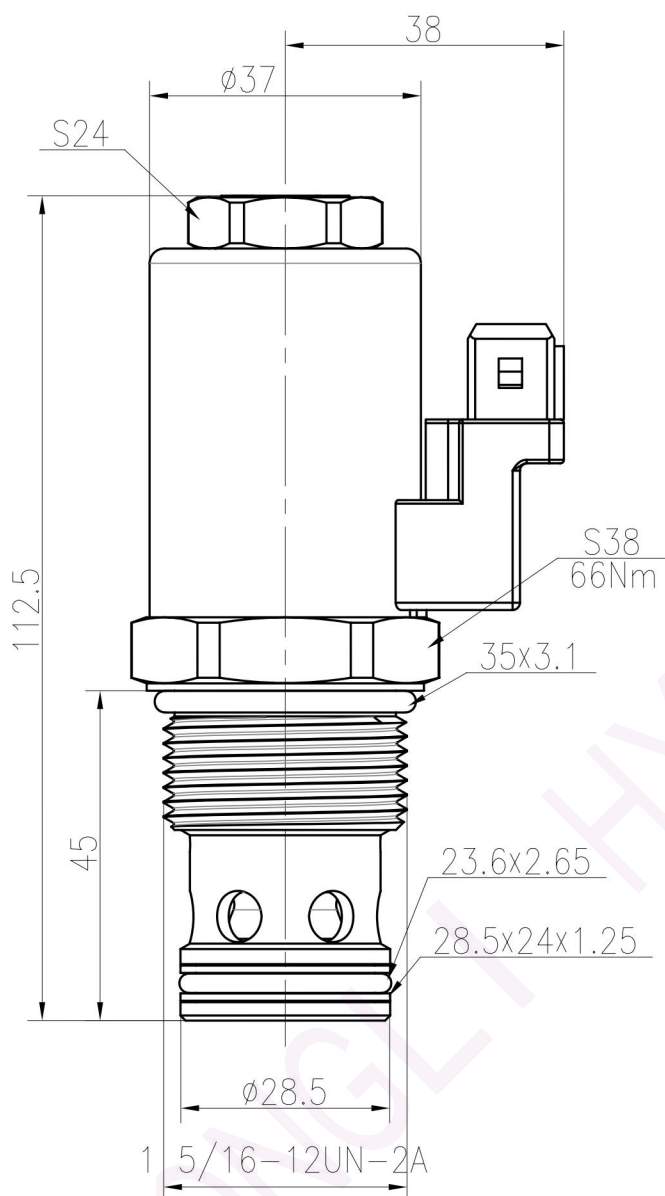


二位二通电磁阀 (锥阀型)
Two Way Two Position (Poppet-type)



DHF16-221 常开型 Normally Open

外形尺寸: Profile dimensions



TO ORDER

DHF16-221

电磁阀 Solenoid Valve
阀芯机能 Function

阀块油口 Body Porting

省略为不带阀块 Omit for Cartridge only

G3/4 5G
G1 6G
SAE10 10T
SAE12 12T

密封材质 Seals

丁腈橡胶
Buna(Std.) N
氟橡胶
Fluorocarbon V

电压 Voltage

12 12VDC
24 24VDC
110 110VAC
220 220VAC

接线形式 Connection

DL Double Leads (双线)
DH Electrical Outlet (插头)
DR Deutsch DT04-2P
DA Amp JR

二位三通电磁阀 (滑阀型)

Three Way Two Position (Spool-type)



DHF12-232

工作过程描述:

Description of the process

当电磁铁不通电时, ②和①通, 和③不通;

当电磁铁通电时, ②和③通, 和①不通。

When de-energized, the valve allows flow from ② to ①, while blocking flow

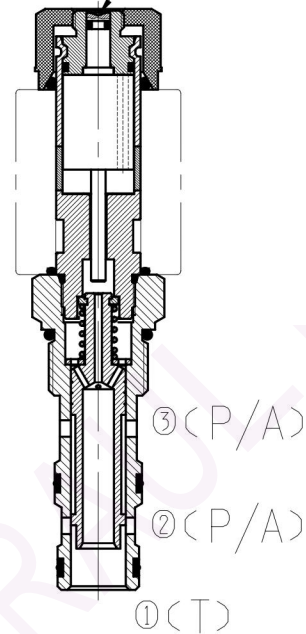
When energized, the valve allows flow from ③ to ②, while blocking flow at ①.

P---压力油口(PRESSURE PORT)

A---工作油口(WORKING PORT)

T---泄油口(TANK PORT)

Manual Override
Push and Remain



技术参数:

Specifications:

最高工作压力: 210bar

Max. Working Pressure

可通过最大流量: 见压力-流量曲线

Flow Max. See Performance

内泄漏量: <330ml/min at 210bar

Internal Leakage

工作电压: 12VDC、24VDC、110VAC、220VAC

Operating Volt

最小工作电压: 正常电压85%

Min Voltage Requires 85% of normal voltage

过滤精度: 20μm or better

Filtration Of Oil

标准插孔: T6-2

Type of Standard Cavity See Page 7.1.2

使用温度: -30~+100℃(丁腈橡胶)

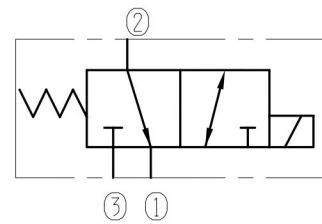
Temperature Standard Buna Seals

标准阀块型号: T6-21*/23*/24*/26*

Standard Block Model See Page 1.5.5

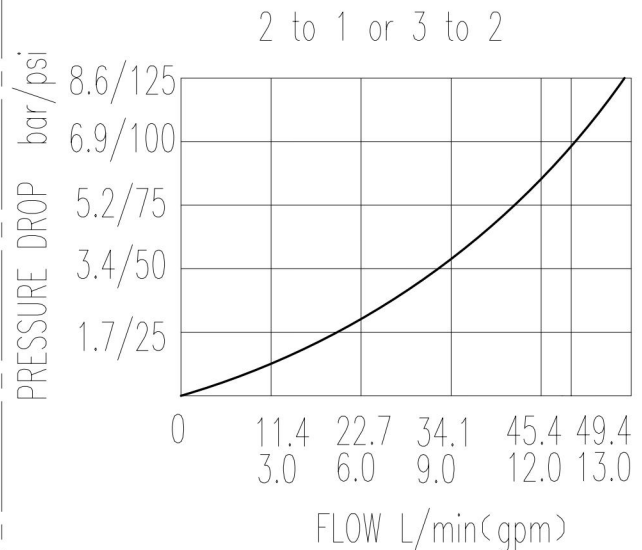
机能符号:

Symbol:



压力-流量曲线: 32 cST Oil/40℃

Characteristic:



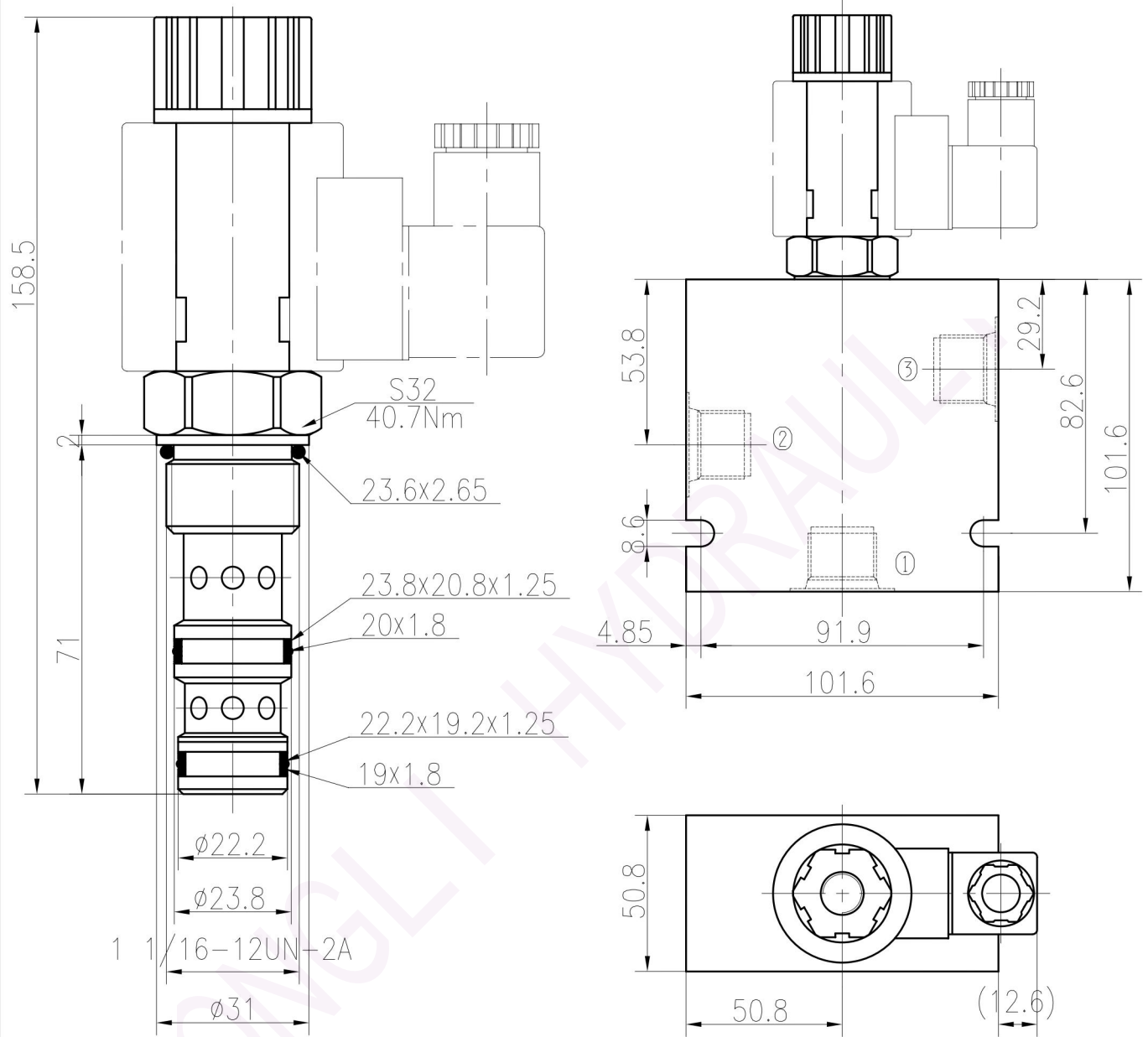
二位三通电磁阀 (滑阀型)

Three Way Two Position (Spool-type)



DHF12-232

外形尺寸: Profile dimensions



TO ORDER

DHF12-232

电磁阀 Solenoid Valve

阀芯机能 Function

阀块油口 Body Porting

省略为不带阀块 Omit for Cartridge only

G3/4 5G
G1 6G
SAE10 10T
SAE12 12T

密封材质 Seals

丁腈橡胶

Buna(Std.) N

氟橡胶

Fluorocarbon V

电压 Voltage

12 12VDC

24 24VDC

接线形式

Connection

DL Double Leads (双线)

DH Electrical Outlet (插头)

DR Deutsch DT04-2P