

160 HP

SD16H

King of the Highlands

- ▶ Engine model: Shangchai SC11CB184G2B1/Weichai WD10G178E25
- ▶ Rated power: 120 kW/1850 rpm
- ▶ Operating weight: 17.5 t

Product features

The SD16H highland bulldozer has been developed to meet the requirements of operation at high altitudes. The SD16H is equipped with a high altitude engine and a hydraulic drive system with hydraulic control technology, and has an advanced structure, providing reliable performance and convenient and flexible operation. The SD16H also has UV-glass and oxygen cylinders for protection in cold environments, making the SD16H the ideal construction machine for work in high altitudes.



shantui e-shop

SHANTUI

VALUE THAT WORKS

Shantui Construction Machinery Co., Ltd.

ADDRESS:

No. 58, G327 Highway
Jining City, Shandong, CHINA

TEL: +86-537-2909369

FAX: +86-537-2311219

EMAIL: trade@shantui.com

160 HP

SD16H

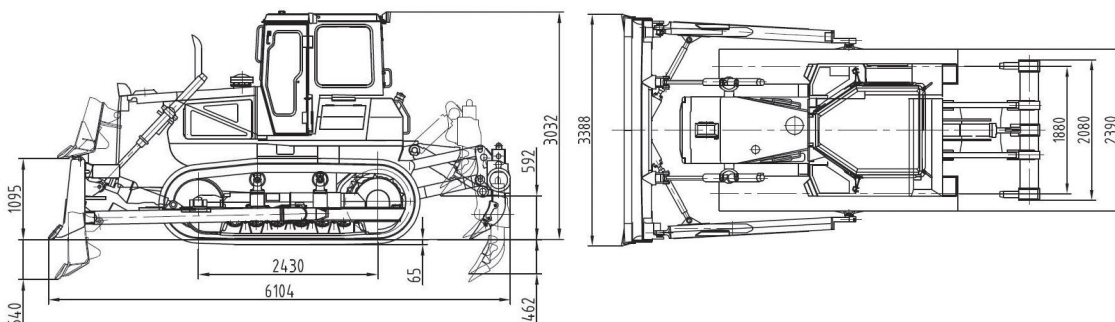
Technical specifications:

Blade Type	Straight-tilt	Angle	U-Blade
Min. ground clearance:	400 mm	400 mm	400 mm
Ground pressure:	0.067 MPa	0.067 MPa	0.067 MPa
Minimum turning radius:	4.571 m	4.5 m	4.632 m
Gradeability:	30°	30°	30°
Track gauge:	1880 mm	1880 mm	1880 mm

SD16H

	ENGINE	Model & type	Shanghai SC11CB184G2B1/Weichai WD10G178E25; water-cooled, in-line, 4-stroke direct injection		
		Rated power	120 kW		
		Number of cylinders	6-126 x 130 mm (bore x stroke)		
		Piston displacement	9.726 L		
		Min. fuel consumption	214 g/kW-h		
		Max. torque	765 N-m@1300 rpm		
	POWER TRANSMISSION SYSTEM	Torque converter	3-element, 1 stage, 1 phase		
		Transmission	Planetary gear type, power-shift, forced lubrication		
		Main drive	Spiral bevel gear, single-stage speed reduction, splash lubrication		
		Steering clutch	Wet, multi-disc, spring loaded, hand hydraulically separated, inter-linking with steering brake		
		Steering brake	Wet, floating band structure, foot brake with hydraulic booster		
		Final drive	2-stage speed reduction of spur gear, splash lubrication		
	TRAVEL SPEED	Gear	1st	2nd	3rd
		Forward	0~3.29 km/h	0~5.82 km/h	0~9.63 km/h
		Reverse	0~4.28 km/h	0~7.59 km/h	0~12.53 km/h
	UNDERCARRIAGE SYSTEM	Type	Sprayed beam, suspended structure of equalizer		
		Carrier rollers	2 each side		
		Track rollers	6 each side		
		Track type	Assembled, single-grouser		
		Width of track shoes	560 mm		
		Pitch	203.2 mm		
	HYDRAULIC SYSTEM	Maximum pressure	14 MPa		
		Pump type	Gear pump		
		Discharge	227 L/min		
		Bore of working cylinder × no.	110 mm × 2		
	BLADE	Blade type	Straight-tilt	Angle	U-blade
		Dozing capacity	4.5 m³	4.4 m³	5.0 m³
		Efficiency (Theoretical value 40 m)	225 m³/h	225 m³/h	250 m³/h
		Blade width	3388 mm	3970 mm	3556 mm
		Blade height	1149 mm	1140 mm	1120 mm
		Maximum drop below ground	540 mm	530 mm	540 mm
		Maximum tilt adjustment	400 mm	-	400 mm
	WINCH (OPTIONAL)	Model	YJ14Y		
		Drawing force of full drum	136 kN		
		Drawing speed of full drum	20 m/min		
		Drawing force of bare drum	240 kN		
		Overall dimension (LxWxH)	1312×1275×1275 mm		
		Cable dimension	26x6500 mm		
		Brake type	Hydraulic, Multi-disc, Connected force		

OVERALL DIMENSIONS Straight-tilt blade



▶ THE SPECIFICATIONS ARE SUBJECT TO CHANGE WITHOUT NOTICE. THE PICTURES MAY INCLUDE OPTIONS. THE ACTUAL COLOR & APPEARANCE OF THE PRODUCT MAY DIFFER FROM WHAT IS SHOWN.