

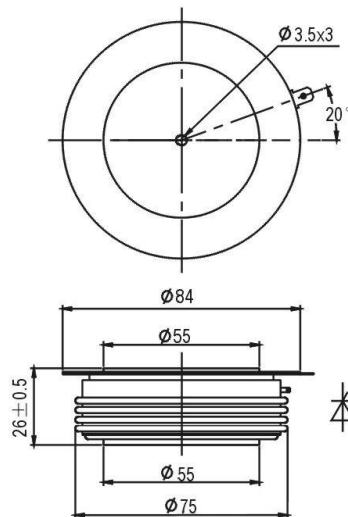
**Asymmetric Thyristor**

**Types PST-A1237NC280**

**Key Parameter :**

Sym.	Condition	Value	Unit
$V_{DRM} / V_{DSM}$	De-rating factor of 0.13% per °C is applicable for $T_j$ below 25 °C.	2800	V
$V_{RRM} / V_{RSM}$		25	V
$I_{DRM}$	$V_D = V_{DRM}, T_j = 125\text{ °C}.$	60	mA
$I_{RRM}$	$V_R = V_{RRM}, T_j = 125\text{ °C}$	10	mA
$I_{T(AV)}$	180° half sine wave 50Hz Double side cooled,	1237	A
$V_{TM}$	$I_{TM} = 4500A, F = 28kN, T_j = 125\text{ °C}.$	$\leq 2.7$	V
$I_{GT}$	$V_A = 12V, I_A = 3A, T_j = 25\text{ °C}$	$\leq 400$	mA
$V_{GT}$		$\leq 3.0$	V
$I_H$		$\leq 1000$	mA
$t_q$	$I_{TM} = 1000A, t_p = 2000\mu s, V_r = 10V$ $dv/dt = 200V/\mu s, di/dt = -60A/\mu s, V_{dr} = 80\% V_{DRM}$	50	$\mu s$
$dv/dt$	125°C, $V_{DM} = 0.67V_{DRM}$	1000	$V/\mu s$
$di/dt$		1000	$A/\mu s$
$T_{jm}$		-40~125	°C
$T_{stg}$		-40~125	°C

**Outline :**



外型代码	安装力
K7	21~30(KN)