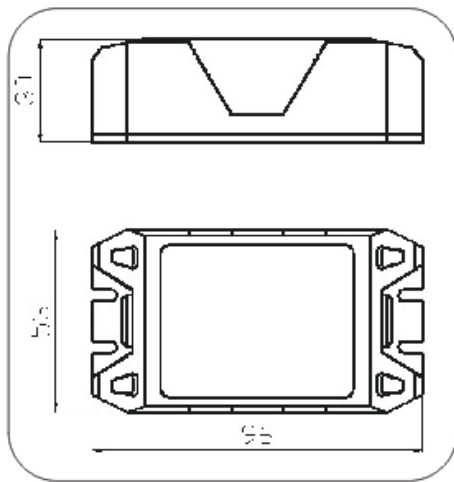


LED lightning arrester



Product size chart

Brief Introduction to product

This product is used for lightning and surge pulse protection of LED lamps. Due to the LED lamps for the core of the device is a semiconductor diode, it can be extremely low or even overvoltage, 5-6V is enough to destroy the lamp beads, so it is necessary to select a special lightning protector to protect the power supply line of the LED from overvoltage and avoid the situation of large-area of the LED lamps and black lights in the same area caused by lightning strikes, the developed product of our company has the following characteristics :

1. This product is in series. series connection type timely diagnose working state of the lightning protection and change in time to protect the lamps.
2. It has large absorption capacity for surge, low output residual voltage, compact appearance, optional waterproof structure, and easy installation.



®

Tel: +86-514-87782298, 87782296 FAX: +86-514-87782297, 87367519

E-mail: positioning@china.com; info@yzpst.com; info@stt.tm; info@goldstar.tm

Web Site: www.yzpst.com www.stt.tm www.goldstar.tm www.Pst888.com

www.positioning.en.alibaba.com www.pst.manufacturer.globalsources.com

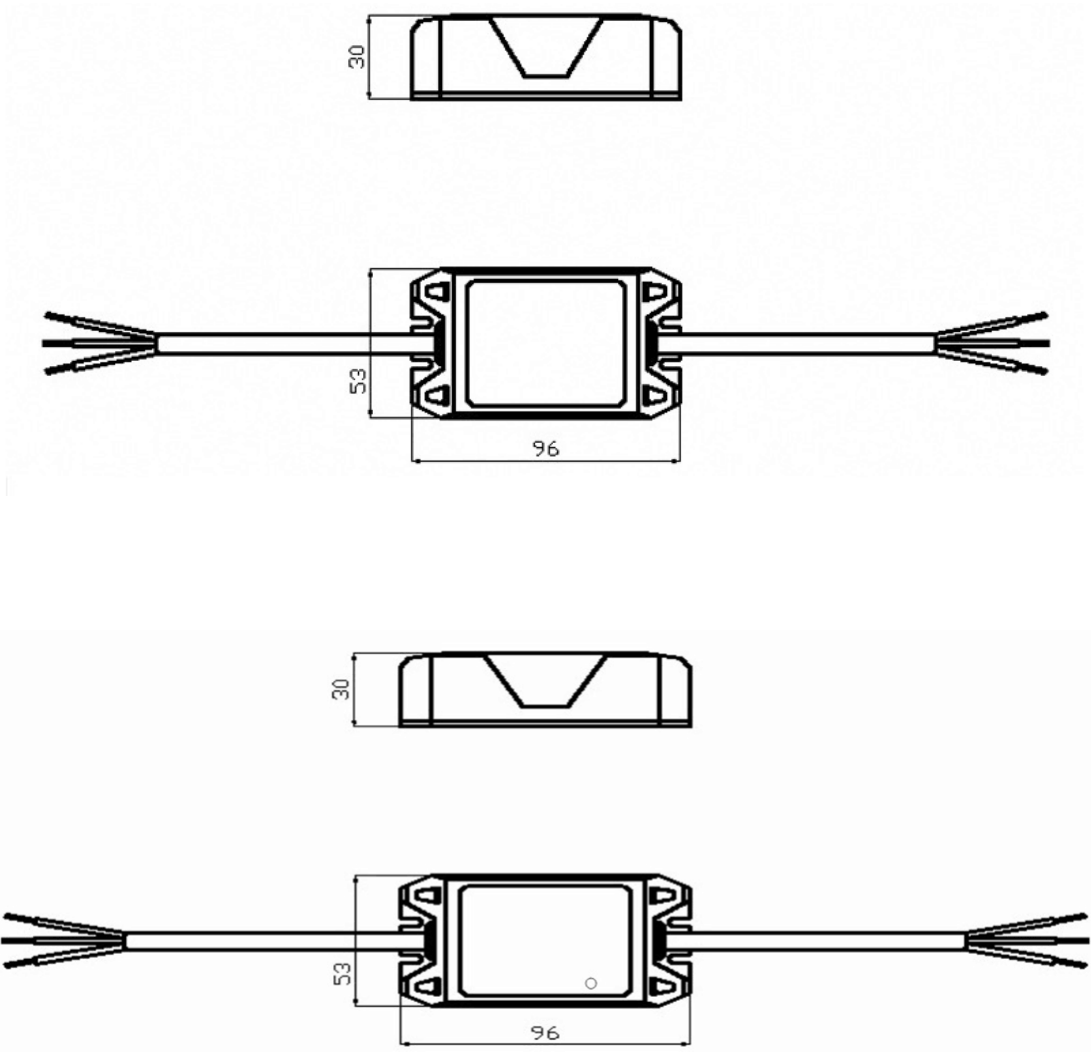
Technical Parameters List

Model	YZPST-LED10	YZPST-LED20
Nominal working voltage Un	110/220/277V	110/220/277V
Maximum continuous working voltage Uc	150/275/320V	150/275/320V
Withstand impact voltage Uoc	10KV	20KV
Nominal discharge current In (8/20μ s)	5KA	10KA
Maximum discharging current I _{max} (8/20μ s)	10KA	20KA
Voltage protection level Up	1KV	1.5KV
Rated load current I _L	≤3A	
Drain current I _r	< 5μA	
External dimension	95*53*30mm	
Response time T _a	≤25ns	
Operating temperature range T _{up}	-40°C to +70°C	
Water-proof function	Optional	
Protection grade	IP33/IP65	
Sheathing material	Flame retardant thermoplastic material	
Interface mode	Terminals	
Mode of connection	Connection in series	
Fault indication	Optional	



Installation method

- 1) When the voltage parameters of the protector does not match the equipment operating parameter,it may affect the work of circuit. It is recommended to determine the device operating voltage when selecting.
- 2) Plug the power phase line (L) and null line (N)into corresponding connector of the electric surge protector and make sure it's firm and reliable. Connect the ground terminal of arrester with the ground lead of lightning protection appropriately (recommended earth resistance $\leq 4\Omega$).



®

Tel: +86-514-87782298, 87782296 FAX: +86-514-87782297, 87367519

E-mail: positioning@china.com; info@yzpst.com; info@stt.tm; info@goldstar.tm

Web Site: www.yzpst.com www.stt.tm www.goldstar.tm www.Pst888.com

www.positioning.en.alibaba.com www.pst.manufacturer.globalsources.com