

## CZ 系列化工离心泵

### CZ Series Chemical Centrifugal Pump



#### • 公司简介 Enterprise Profile

石家庄翔浩机械有限公司，是以矿山、电力用渣浆泵、脱硫泵、疏浚泵、清水泵为主的工业水泵专业生产企业，集研发、设计、制造、营销、服务为一体，具有严格的质量保证及科学完善的服务体系。

公司技术力量雄厚，拥有资深的水泵设计、制造、应用工程师团队，立足持续为用户带来更大价值，不断提高服务水平与质量。我们不单单向用户提供产品，还可依据客户的工矿需求，采用系统一体化的设计方法，为客户提供渣浆输送的一整套解决方案，使得用户在环保、节能、运营持久、降低产品使用成本等方面取得了显著效果。

公司坚持“技术创新化、管理严格化、生产定制化、服务专业化”的经营理念，全力提升企业现代化管理水平，使企业实现了持续快速发展。

公司的主要产品为ZGB、ZJ、AH、HH、M型渣浆泵、WN型挖泥泵、TL型脱硫泵、G型砂砾泵、SP型液下泵、HDSN型双吸泵、WQ型潜污泵、IS型清水泵等，广泛应用于环境保护工程、污水处理、城市工厂给排水、各种水利工程、冶金、矿山、电力、煤炭、疏浚、采砂、石油化工、建材、火电烟气脱硫等等诸多领域。国内市场占有率逐年递增，国际市场的占有份额不断提升，产品出口至东南亚、北美、欧洲、中亚、东亚等多个国家和地区。

长期以来，本公司坚持“诚信为本、客户至上”的原则，与众多厂家建立了长期合作关系，并赢得了广大客户的一致好评！

坚信凭借我们更优的产品，完善的服务，良好的信誉，必将赢得更多用户！

Shijiazhuang Soarho Machinery CO.,LTD, is a professional manufacture base of slurry pump, mine pump, FGD pump, dredge pump and clean water pump, combining scientific research, design, manufacture, marketing and service in one, with strict quality control system and science complete service system.

Having strong technical force, the company which has a senior pump design, manufacturing and application engineer team, continues to improve level and quality of service in order to bring greater value to the users. We not only provide products to users, but also provide a complete solution for slurry transportation for user to achieve a significant effect in environmental protection , energy saving , lasting trouble-free operation and cost reduction and so on, adopting a systematic and integrated design method and according to the working condition and the needing of user.

Adhering to the concept of 'technical innovation', 'strict management', 'customized production' and 'professional service', we strive to improve the modern management level and make the enterprises achieve sustained and rapid development.

The main products of the company are ZGB,ZJ,AH,HH,M slurry pumps ,WN dredge pumps , TL FGD pumps, G gravel pumps, SP sump pumps, HDSN double suction pumps. WQ submersible sewage pumps, IS clean water pumps and so on. They are widely used in many fields, such as environmental protection engineering, sewage treatment, municipal factory and water supply and drainage, various water conservancy projects, metallurgy, mine, electric power, coal, dredging, sand mining, petrochemical, building materials, thermal power flue gas desulfurization etc. The share of domestic market is increasing year by year, and the share of the international market is increasing. Products exported to Southeast Asia, North America, Europe, Central Asia, East Asia and many other countries and regions.

For a long time, adhering to the principle of "honesty and customer first", our company has established a long-term cooperative relationship with many manufacturers, and has won the praise of the customers.

Firmly believe that we will win more users by virtue of our better products, perfect service and good reputation.

- **产品介绍 Product Introduction**

CZ型化工泵为单吸单级卧式离心泵，采用API610(第十版)、VDMA24297（重型）规范设计，符合DIN24256、ISO2858标准，是标准化工泵的基本产品。适合输送低温或高温、中性或有腐蚀性、清洁或含有固体颗粒、有毒或易燃易爆的介质，主要用于化工、石油化工、冶金、电力、造纸、食品、制药及制糖等行业。

CZ chemical pump is a single suction single stage horizontal centrifugal pump, API610(10th edition), VDMA24297 (heavy duty) specification design, in line with DIN24256, ISO2858 standards, is the standard chemical pump basic products. Suitable for conveying low or high temperature, neutral or corrosive, clean or containing solid particles, toxic or flammable or explosive media, mainly used in chemical, petrochemical, metallurgy, electric power, paper, food, pharmaceutical and sugar industries.

- **产品特点 Product Feature**

- 1、泵体：采用底脚支承结构；
- 2、叶轮：有闭式、半开式、全开式三种叶轮，泵的轴向力主要由背叶片或平衡孔来平衡，残余轴向为由轴承承受。
- 3、泵盖：由密封压盖构成密封腔体，标准腔体尺寸可配备各种密封型式。
- 4、轴封：根据工况不同，可采用填料密封、单端面机械密封、双端面机械密封、串联机械密封等形式。
- 5、轴承：润滑方式为稀油润滑，自恒位油杯控制油位，充分保证轴承在良好润滑状态下工作。
- 6、轴：用轴套保护，防止介质直接与轴接触发生腐蚀，提高轴的使用寿命。
- 7、后拖式设计：可以不动泵的进出管路即可将转子部件拆出进行维修。

1. Pump body: the use of foot support structure;
2. Impeller: there are three types of impeller: closed, semi-open and fully open. The axial force of the pump is mainly balanced by the back blade or the balance hole, and the residual axial force is borne by the bearing.

3. Pump cover: the sealing chamber is composed of a sealing gland, and the standard cavity size can be equipped with various sealing types.
4. Shaft seal: according to different working conditions, packing seal, single-end mechanical seal, double-end mechanical seal, series mechanical seal and other forms can be used.
5. Bearing: the lubrication mode is thin oil lubrication, and the oil level is controlled by the self-constant oil cup to fully guarantee the bearing to work in a good lubrication state.
6. Shaft: shaft sleeve protection, prevent direct contact with the shaft media corrosion, improve the service life of the shaft.
7. Rear drag design: this structure can remove the rotor parts for maintenance without removing the inlet and outlet pipelines.

- **性能范围 Range of Performance**

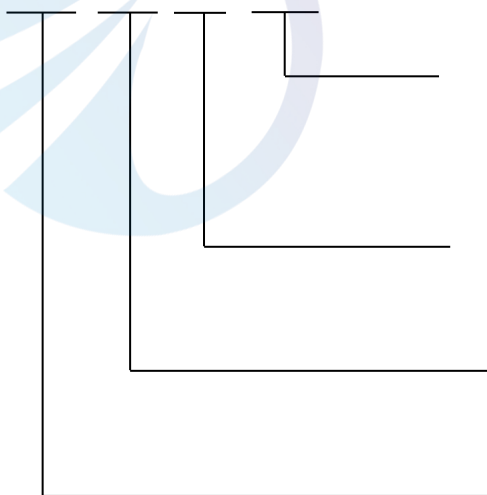
流量 Capacity      Q: 2-2000m<sup>3</sup>/h

扬程 Head            H: 3-160m

吸入口直径 Outlet diameter: 32-300mm

- **型号说明 Model Code**

CZ 80 - 50 - 200



泵叶轮名义直径 (mm)

Nominal diameter of impeller (mm)

吐出口直径 (mm)

Diameter of pump outlet(mm)

吸入口直径 (mm)

Diameter of pump inlet(mm)

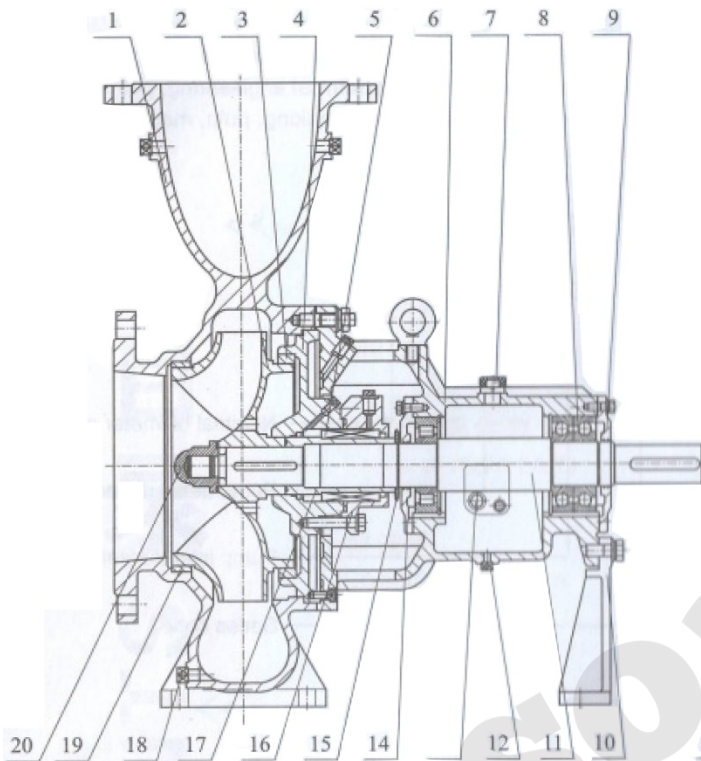
国际标准化工泵系列产品

A series of international standard chemical industry centrifugal pump

• 结构图 Construction description

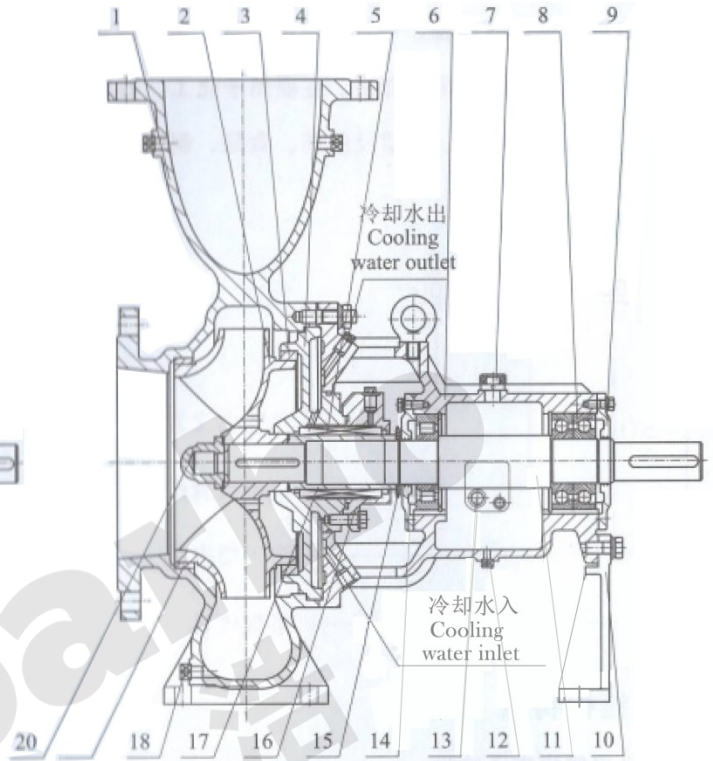
普通型(单端面、双端面机封)

Common type (single/double-end-face mechanical seal)



高温型(带冷却水套结构)

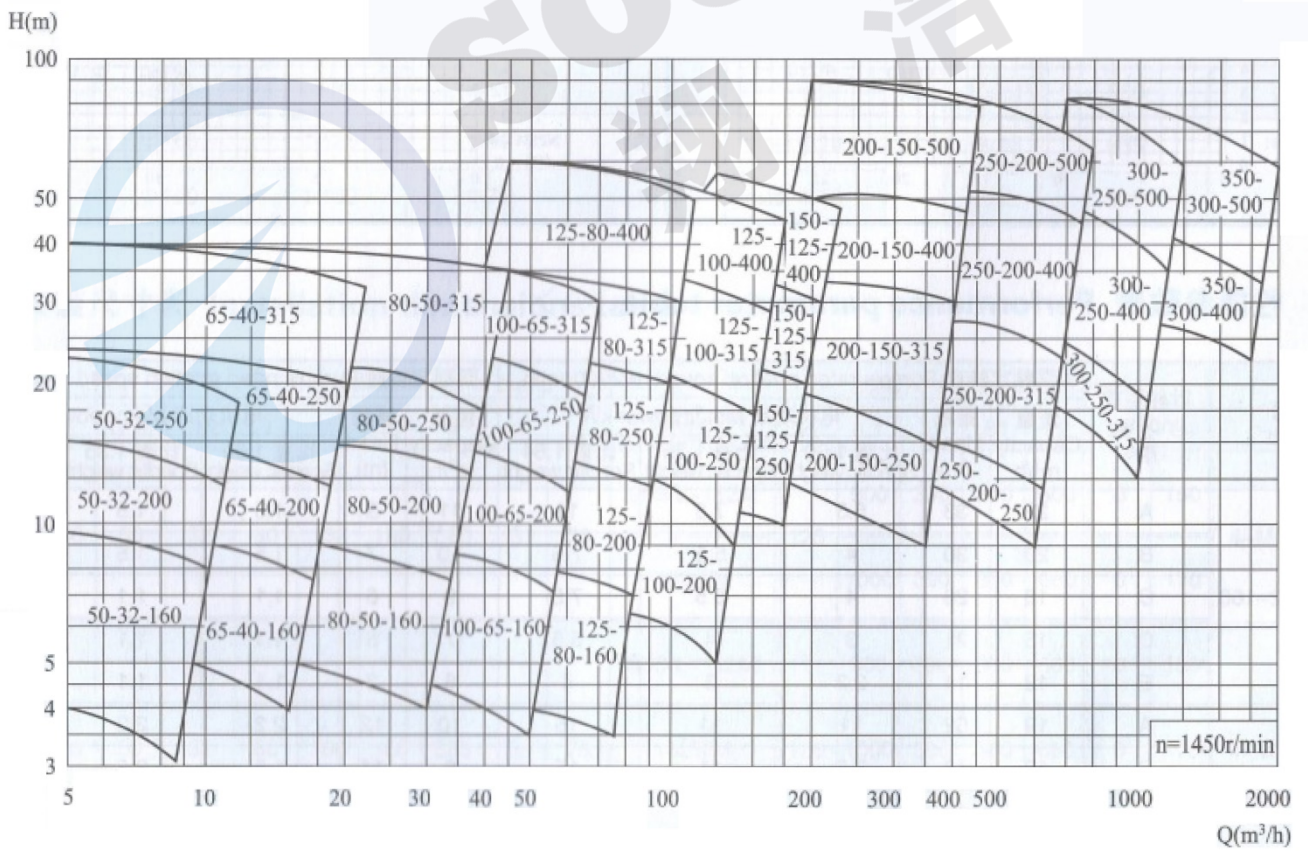
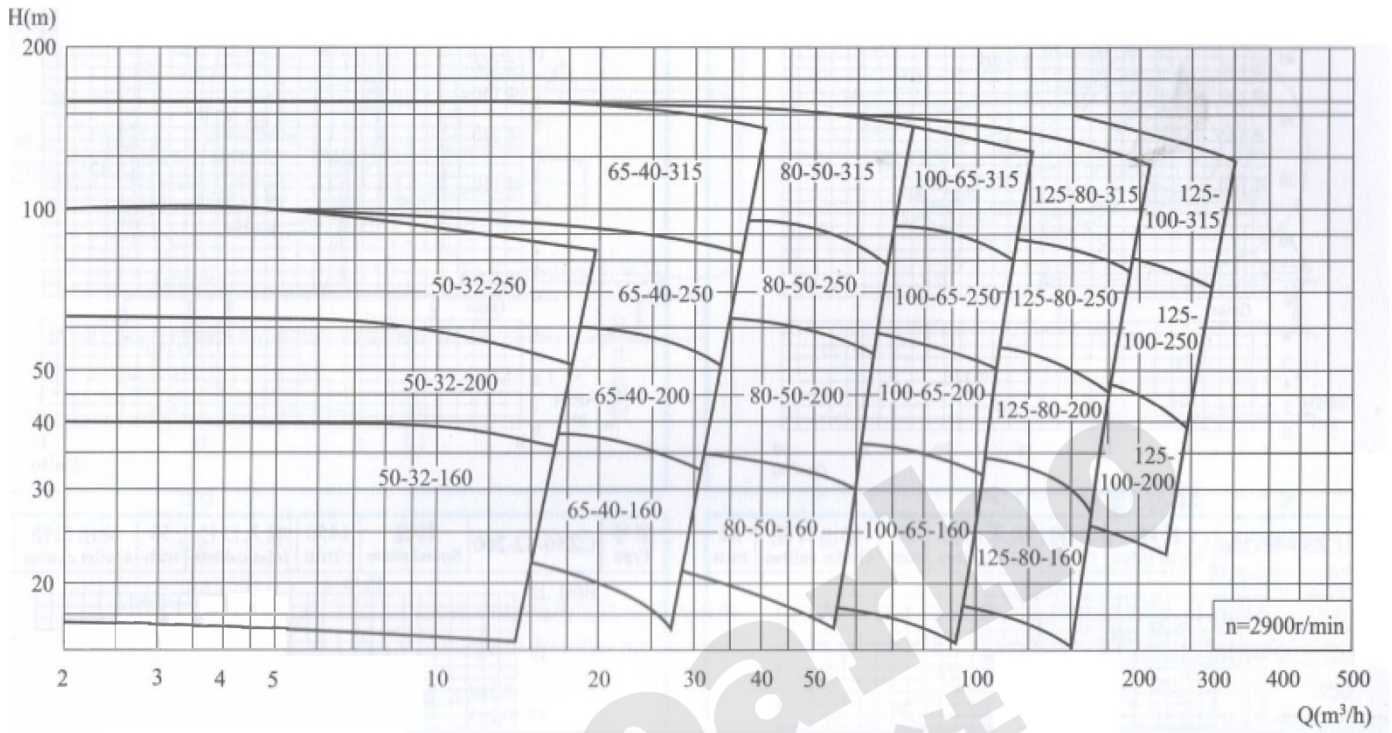
High temperature type (with cooling water jacket structure)



- |                            |                             |                              |
|----------------------------|-----------------------------|------------------------------|
| 1 泵体 Pump casing           | 2 叶轮 Impeller               | 3 泵盖口环 Pump cover wear ring  |
| 4 泵盖 Pump cover            | 5 机械密封 Mechanical seal      | 6 悬架 Bearing house           |
| 7 气孔盖 Air hole cover       | 8 轴承 Bearing                | 9 前轴承压盖 Bearing front gland  |
| 10 悬架支架 Suspension bracket | 11 轴 Shaft                  | 12 放油螺塞 Oil drain screw plug |
| 13 油标 Oil leveler          | 14 后轴承压盖 Bearing rear gland | 15 挡水圈 Water deflector       |
| 16 密封压盖 Sealing gland      | 17 轴套 Shaft sleeve          | 18 放水螺塞 Water drainage bolt  |
| 19 泵体口环 Casing wear ring   | 20 叶轮螺母 Impeller nut        |                              |



• 型谱 Selection Chart



• 性能参数表 Performance List

| 型号<br>Pump type | 叶轮型式<br>Impeller form | 转速<br>Speed<br>N(rpm) | 流量<br>Capacity<br>Q(m <sup>3</sup> /h) | 扬程<br>Head<br>H(m) | 汽蚀余量<br>NPSHr<br>(m) | 效率<br>Efficiency<br>η(%) | 电机 Motor        |                 |                 |                |
|-----------------|-----------------------|-----------------------|--|--------------------|----------------------|--------------------------|-----------------|-----------------|-----------------|----------------|
|                 |                       |                       |  |                    |                      |                          | 比重 SG<br>γ=1.00 | 比重 SG<br>γ=1.35 | 比重 SG<br>γ=1.84 |                |
| CZ50-32-160     | A                     | 2900                  | 20                                     | 36                 | 3.1                  | 62                       | Y132S-2-5.5KW   | Y132S1-2-7.5KW  | Y132S1-2-7.5KW  |                |
|                 |                       | 1450                  | 11                                     | 9                  | 1.5                  | 49                       | Y90S-4-1.1.KW   | Y90S-4-1.1.KW   | Y90L-4-1.5KW    |                |
|                 | B                     | 2900                  | 18                                     | 32                 | 3.1                  | 61                       | Y112M-2-4KW     | Y132S-2-5.5KW   | Y132S1-2-7.5KW  |                |
|                 |                       | 1450                  | 10                                     | 8                  | 1.5                  | 48                       | Y90S-4-1.1.KW   | Y90S-4-1.1.KW   | Y90L-4-1.5KW    |                |
|                 | C                     | 2900                  | 17                                     | 28                 | 3.1                  | 58                       | Y100L-2-3KW     | Y112M-2-4KW     | Y132S-2-5.5KW   |                |
|                 |                       | 1450                  | 9                                      | 7                  | 1.5                  | 47                       | Y90S-4-1.1.KW   | Y90S-4-1.1.KW   | Y90S-4-1.1.KW   |                |
|                 | D                     | 2900                  | 15                                     | 20                 | 3.1                  | 56                       | Y90L-2-2.2KW    | Y100L-2-3KW     | Y112M-2-4KW     |                |
|                 |                       | 1450                  | 6                                      | 5                  | 1.5                  | 42                       | Y90S-4-1.1.KW   | Y90S-4-1.1.KW   | Y90S-4-1.1.KW   |                |
|                 | E                     | 2900                  | 13                                     | 14                 | 3.1                  | 50                       | Y90L-2-2.2KW    | Y100L-2-3KW     | Y112M-2-4KW     |                |
|                 |                       | 1450                  | 6                                      | 3                  | 1.5                  | 38                       | Y90S-4-1.1.KW   | Y90S-4-1.1.KW   | Y90S-4-1.1.KW   |                |
|                 | CZ50-32-200           | A                     | 2900                                   | 20                 | 50                   | 2.7                      | 51              | Y132S1-2-7.5KW  | Y160MI-2-11KW   | Y160M2-2-15KW  |
|                 |                       |                       | 1450                                   | 10                 | 13                   | 1                        | 47              | Y90L-4-1.5KW    | Y90L-4-1.5KW    | Y100L1-4-2.2KW |
| B               |                       | 2900                  | 18                                     | 48                 | 2.7                  | 51                       | Y132S1-2-7.5KW  | Y160MI-2-11KW   | Y160MI-2-11KW   |                |
|                 |                       | 1450                  | 9                                      | 12                 | 1                    | 47                       | Y90L-4-1.5KW    | Y90L-4-1.5KW    | Y90L-4-1.5KW    |                |
| C               |                       | 2900                  | 17                                     | 40                 | 2.7                  | 49                       | Y132S-2-5.5KW   | Y132S1-2-7.5KW  | Y160MI-2-11KW   |                |
|                 |                       | 1450                  | 8                                      | 10                 | 1                    | 46                       | Y90L-4-1.5KW    | Y90L-4-1.5KW    | Y90L-4-1.5KW    |                |
| D               |                       | 2900                  | 15                                     | 30                 | 2.7                  | 48                       | Y112M-2-4KW     | Y132S-2-5.5KW   | Y132S1-2-7.5KW  |                |
|                 |                       | 1450                  | 8                                      | 8                  | 1                    | 44                       | Y90L-4-1.5KW    | Y90L-4-1.5KW    | Y90L-4-1.5KW    |                |
| CZ50-32-250     |                       | A                     | 2900                                   | 20                 | 85                   | 2.1                      | 51              | Y160M2-2-15KW   | Y160L-2-18.5KW  | Y200L1-2-30KW  |
|                 |                       |                       | 1450                                   | 11                 | 20                   | 0.9                      | 37              | Y100L1-4-2.2KW  | Y100L2-4-3KW    | Y112M-4-4KW    |
|                 | B                     | 2900                  | 20                                     | 75                 | 2.1                  | 49                       | Y160M2-2-15KW   | Y160L-2-18.5KW  | Y200L1-2-30KW   |                |
|                 |                       | 1450                  | 10                                     | 19                 | 0.9                  | 37                       | Y100L1-4-2.2KW  | Y100L2-4-3KW    | Y112M-4-4KW     |                |
|                 | C                     | 2900                  | 18                                     | 65                 | 2.1                  | 46                       | Y160MI-2-11KW   | Y160M2-2-15KW   | Y160L-2-18.5KW  |                |
|                 |                       | 1450                  | 9                                      | 15                 | 0.9                  | 35                       | Y100L1-4-2.2KW  | Y100L2-4-3KW    | Y112M-4-4KW     |                |
|                 | D                     | 2900                  | 15                                     | 50                 | 2.1                  | 38                       | Y132S1-2-7.5KW  | Y160MI-2-11KW   | Y160M2-2-15KW   |                |
|                 |                       | 1450                  | 8                                      | 11                 | 0.9                  | 33                       | Y100L1-4-2.2KW  | Y100L1-4-2.2KW  | Y100L1-4-2.2KW  |                |

| 型号<br>Pump type | 叶轮型式<br>Impeller form | 转速<br>Speed<br>N(rpm) | 流量<br>Capacity<br>Q(m <sup>3</sup> /h) | 扬程<br>Head<br>H(m) | 汽蚀余量<br>NPSHr<br>(m) | 效率<br>Efficiency<br>η(%) | 电机 Motor        |                 |                 |
|-----------------|-----------------------|-----------------------|--|--------------------|----------------------|--------------------------|-----------------|-----------------|-----------------|
|                 |                       |                       |  |                    |                      |                          | 比重 SG<br>γ=1.00 | 比重 SG<br>γ=1.35 | 比重 SG<br>γ=1.84 |
| CZ65-40-160     | A                     | 2900                  | 30                                     | 34                 | 1.5                  | 63                       | Y132S1-2-7.5KW  | Y160MI-2-11KW   | Y160M2-2-15KW   |
|                 |                       | 1450                  | 15                                     | 8                  | 0.5                  | 60                       | Y90S-4-1.1.KW   | Y90S-4-1.1.KW   | Y90L-4-1.5KW    |
|                 | B                     | 2900                  | 28                                     | 30                 | 1.5                  | 61                       | Y132S-2-5.5KW   | Y132S1-2-7.5KW  | Y160MI-2-11KW   |
|                 |                       | 1450                  | 15                                     | 7                  | 0.5                  | 57                       | Y90S-4-1.1.KW   | Y90S-4-1.1.KW   | Y90L-4-1.5KW    |
|                 | C                     | 2900                  | 16                                     | 26                 | 1.5                  | 58                       | Y132S-2-5.5KW   | Y132S-2-5.5KW   | Y132S1-2-7.5KW  |
|                 |                       | 1450                  | 14                                     | 6                  | 0.5                  | 54                       | Y90S-4-1.1.KW   | Y90S-4-1.1.KW   | Y90S-4-1.1.KW   |
| D               | 2900                  | 14                    | 18                                     | 1.5                | 52                   | Y100L-2-3KW              | Y132S-2-5.5KW   | Y132S-2-5.5KW   |                 |
|                 | 1450                  | 12                    | 4                                      | 0.5                | 43                   | Y90S-4-1.1.KW            | Y90S-4-1.1.KW   | Y90S-4-1.1.KW   |                 |
| CZ65-40-200     | A                     | 2900                  | 34                                     | 50                 | 2.4                  | 61                       | Y160MI-2-11KW   | Y160M2-2-15KW   | Y160L-2-18.5KW  |
|                 |                       | 1450                  | 16                                     | 13                 | 1.1                  | 58                       | Y100L1-4-2.2KW  | Y100L1-4-2.2KW  | Y100L2-4-3KW    |
|                 | B                     | 2900                  | 30                                     | 48                 | 2.4                  | 58                       | Y132S1-2-7.5KW  | Y160MI-2-11KW   | Y160M2-2-15KW   |
|                 |                       | 1450                  | 15                                     | 12                 | 1.1                  | 56                       | Y90L-4-1.5KW    | Y90L-4-1.5KW    | Y100L1-4-2.2KW  |
|                 | C                     | 2900                  | 26                                     | 38                 | 2.4                  | 55                       | Y132S-2-5.5KW   | Y132S1-2-7.5KW  | Y160MI-2-11KW   |
|                 |                       | 1450                  | 14                                     | 9                  | 1.1                  | 54                       | Y90S-4-1.1.KW   | Y90L-4-1.5KW    | Y100L1-4-2.2KW  |
| D               | 2900                  | 22                    | 30                                     | 2.4                | 51                   | Y132S-2-5.5KW            | Y132S1-2-7.5KW  | Y160MI-2-11KW   |                 |
|                 | 1450                  | 12                    | 7                                      | 1.1                | 48                   | Y90S-4-1.1.KW            | Y90S-4-1.1.KW   | Y90L-4-1.5KW    |                 |
| CZ65-40-250     | A                     | 2900                  | 36                                     | 85                 | 6                    | 51                       | Y180M-2-22KW    | Y200L1-2-30KW   | Y225M-2-45KW    |
|                 |                       | 1450                  | 20                                     | 21                 | 2.5                  | 48                       | Y132S-4-5.5KW   | Y132S-4-5.5KW   | Y132M-4-7.5KW   |
|                 | B                     | 2900                  | 34                                     | 80                 | 6                    | 50                       | Y160L-2-18.5KW  | Y180M-2-22KW    | Y200L2-2-37KW   |
|                 |                       | 1450                  | 18                                     | 20                 | 2.5                  | 47                       | Y112M-4-4KW     | Y132S-4-5.5KW   | Y132M-4-7.5KW   |
|                 | C                     | 2900                  | 30                                     | 65                 | 6                    | 49                       | Y160M2-2-15KW   | Y160L-2-18.5KW  | Y200L1-2-30KW   |
|                 |                       | 1450                  | 16                                     | 15                 | 2.5                  | 45                       | Y100L2-4-3KW    | Y112M-4-4KW     | Y132S-4-5.5KW   |
| D               | 2900                  | 26                    | 50                                     | 6                  | 47                   | Y160MI-2-11KW            | Y160M2-2-15KW   | Y160L-2-18.5KW  |                 |
|                 | 1450                  | 13                    | 12                                     | 2.5                | 41                   | Y100L1-4-2.2KW           | Y100L2-4-3KW    | Y112M-4-4KW     |                 |
| CZ65-40-315     | A                     | 2900                  | 46                                     | 140                | 4                    | 51                       | Y225M-2-45KW    | Y250M-2-55KW    |                 |
|                 |                       | 1450                  | 22                                     | 36                 | 1                    | 46                       | Y132M-4-7.5KW   | Y160M-4-11KW    | Y160L-4-15KW    |
|                 | B                     | 2900                  | 44                                     | 130                | 4                    | 50                       | Y200L2-2-37KW   | Y225M-2-45KW    |                 |
|                 |                       | 1450                  | 22                                     | 32                 | 1                    | 45                       | Y132M-4-7.5KW   | Y132M-4-7.5KW   | Y160M-4-11KW    |
|                 | C                     | 2900                  | 40                                     | 100                | 4                    | 46                       | Y200L1-2-30KW   | Y200L2-2-37KW   | Y200L2-2-37KW   |
|                 |                       | 1450                  | 20                                     | 24                 | 1                    | 45                       | Y112M-4-4KW     | Y132S-4-5.5KW   | Y160M-4-11KW    |
| D               | 2900                  | 34                    | 80                                     | 4                  | 41                   | Y200L1-2-30KW            | Y200L1-2-30KW   | Y200L2-2-37KW   |                 |
|                 | 1450                  | 18                    | 18                                     | 1                  | 44                   | Y112M-4-4KW              | Y112M-4-4KW     | Y132S-4-5.5KW   |                 |



| 型号<br>Pump type | 叶轮型式<br>Impeller form | 转速<br>Speed<br>N(rpm) | 流量<br>Capacity<br>Q(m3/h) | 扬程<br>Head<br>H(m) | 汽蚀余量<br>NPSHr<br>(m) | 效率<br>Efficiency<br>$\eta$ (%) | 电机 Motor               |                        |                        |                |
|-----------------|-----------------------|-----------------------|---------------------------|--------------------|----------------------|--------------------------------|------------------------|------------------------|------------------------|----------------|
|                 |                       |                       |                           |                    |                      |                                | 比重 SG<br>$\gamma=1.00$ | 比重 SG<br>$\gamma=1.35$ | 比重 SG<br>$\gamma=1.84$ |                |
| CZ80-50-160     | A                     | 2900                  | 55                        | 34                 | 2.9                  | 73                             | Y160M2-2-15KW          | Y160M2-2-15KW          | Y160L-2-18.5KW         |                |
|                 |                       | 1450                  | 30                        | 8                  | 1.6                  | 71                             | Y90L-4-1.5KW           | Y100L1-4-2.2KW         | Y100L2-4-3KW           |                |
|                 | B                     | 2900                  | 50                        | 30                 | 2.9                  | 73                             | Y160MI-2-11KW          | Y160M2-2-15KW          | Y160L-2-18.5KW         |                |
|                 |                       | 1450                  | 26                        | 7                  | 1.6                  | 68                             | Y90S-4-1.1.KW          | Y90L-4-1.5KW           | Y100L1-4-2.2KW         |                |
|                 | C                     | 2900                  | 46                        | 26                 | 2.9                  | 71                             | Y132S1-2-7.5KW         | Y160MI-2-11KW          | Y160M2-2-15KW          |                |
|                 |                       | 1450                  | 24                        | 6                  | 1.6                  | 65                             | Y90S-4-1.1.KW          | Y90S-4-1.1.KW          | Y90L-4-1.5KW           |                |
|                 | D                     | 2900                  | 40                        | 18                 | 2.9                  | 70                             | Y132S-2-5.5KW          | Y132S1-2-7.5KW         | Y160MI-2-11KW          |                |
|                 |                       | 1450                  | 20                        | 4                  | 1.6                  | 58                             | Y90S-4-1.1.KW          | Y90S-4-1.1.KW          | Y90S-4-1.1.KW          |                |
|                 | CZ80-50-200           | A                     | 2900                      | 65                 | 56                   | 4                              | 72                     | Y160L-2-18.5KW         | Y180M-2-22KW           |                |
|                 |                       |                       | 1450                      | 34                 | 14                   | 1.5                            | 70                     | Y100L2-4-3KW           | Y112M-4-4KW            | Y132S-4-5.5KW  |
|                 |                       | B                     | 2900                      | 65                 | 50                   | 4                              | 71                     | Y160M2-2-15KW          | Y160L-2-18.5KW         |                |
|                 |                       |                       | 1450                      | 32                 | 12                   | 1.5                            | 70                     | Y100L1-4-2.2KW         | Y100L2-4-3KW           | Y112M-4-4KW    |
| C               |                       | 2900                  | 50                        | 40                 | 4                    | 68                             | Y160MI-2-11KW          | Y160M2-2-15KW          | Y160L-2-18.5KW         |                |
|                 |                       | 1450                  | 30                        | 10                 | 1.5                  | 69                             | Y90L-4-1.5KW           | Y100L1-4-2.2KW         | Y100L2-4-3KW           |                |
| D               |                       | 2900                  | 40                        | 32                 | 4                    | 65                             | Y132S1-2-7.5KW         | Y160MI-2-11KW          | Y160M2-2-15KW          |                |
|                 |                       | 1450                  | 24                        | 7                  | 1.5                  | 66                             | Y90L-4-1.5KW           | Y90L-4-1.5KW           | Y100L1-4-2.2KW         |                |
| CZ80-50-250     |                       | A                     | 2900                      | 65                 | 85                   | 3                              | 65                     | Y200L1-2-30KW          | Y200L2-2-37KW          | Y250M-2-55KW   |
|                 |                       |                       | 1450                      | 34                 | 21                   | 1.1                            | 59                     | Y132S-4-5.5KW          | Y132S-4-5.5KW          | Y160M-4-11KW   |
|                 |                       | B                     | 2900                      | 55                 | 65                   | 3                              | 63                     | Y200L1-2-30KW          | Y200L2-2-37KW          | Y225M-2-45KW   |
|                 |                       |                       | 1450                      | 30                 | 20                   | 1.1                            | 59                     | Y112M-4-4KW            | Y132S-4-5.5KW          | Y160M-4-11KW   |
|                 | C                     | 2900                  | 55                        | 65                 | 3                    | 60                             | Y180M-2-22KW           | Y200L1-2-30KW          | Y200L2-2-37KW          |                |
|                 |                       | 1450                  | 26                        | 16                 | 1.1                  | 57                             | Y100L2-4-3KW           | Y112M-4-4KW            | Y132S-4-5.5KW          |                |
|                 | D                     | 2900                  | 45                        | 60                 | 3                    | 58                             | Y160L-2-18.5KW         | Y180M-2-22KW           | Y200L1-2-30KW          |                |
|                 |                       | 1450                  | 24                        | 12                 | 1.1                  | 54                             | Y100L1-4-2.2KW         | Y100L2-4-3KW           | Y112M-4-4KW            |                |
|                 | CZ80-50-315           | A                     | 2900                      | 80                 | 140                  | 5                              | 60                     |                        |                        |                |
|                 |                       |                       | 1450                      | 42                 | 36                   | 1.8                            | 58                     | Y160M-4-11KW           | Y160M-4-11KW           | Y180M-4-18.5KW |
|                 |                       | B                     | 2900                      | 75                 | 135                  | 5                              | 60                     | Y250M-2-55KW           |                        |                |
|                 |                       |                       | 1450                      | 42                 | 32                   | 1.8                            | 57                     | Y160M-4-11KW           | Y160M-4-11KW           | Y160L-4-15KW   |
| C               |                       | 2900                  | 70                        | 110                | 5                    | 58                             | Y225M-2-45KW           |                        |                        |                |
|                 |                       | 1450                  | 40                        | 26                 | 1.8                  | 56                             | Y160M-4-11KW           | Y160M-4-11KW           | Y160L-4-15KW           |                |
| D               |                       | 2900                  | 65                        | 85                 | 5                    | 56                             | Y200L2-2-37KW          | Y225M-2-45KW           |                        |                |
|                 |                       | 1450                  | 36                        | 20                 | 1.8                  | 54                             | Y132M-4-7.5KW          | Y160M-4-11KW           | Y160M-4-11KW           |                |

| 型号<br>Pump type | 叶轮型式<br>Impeller form | 转速<br>Speed<br>N(rpm) | 流量<br>Capacity<br>Q(m <sup>3</sup> /h) | 扬程<br>Head<br>H(m) | 汽蚀余量<br>NPSHr<br>(m) | 效率<br>Efficiency<br>η(%) | 电机 Motor        |                 |                 |
|-----------------|-----------------------|-----------------------|--|--------------------|----------------------|--------------------------|-----------------|-----------------|-----------------|
|                 |                       |                       |  |                    |                      |                          | 比重 SG<br>γ=1.00 | 比重 SG<br>γ=1.35 | 比重 SG<br>γ=1.84 |
| CZ100-65-160    | A                     | 2900                  | 100                                    | 32                 | 3                    | 74                       | Y160M2-2-15KW   | Y160L-2-18.5KW  |                 |
|                 |                       | 1450                  | 50                                     | 8                  | 1.5                  | 68                       | Y100L1-4-2.2KW  | Y100L2-4-3KW    | Y112M-4-4KW     |
|                 | B                     | 2900                  | 90                                     | 32                 | 3                    | 73                       | Y160M2-2-15KW   | Y160L-2-18.5KW  | Y180M-2-22KW    |
|                 |                       | 1450                  | 48                                     | 7                  | 1.5                  | 66                       | Y100L1-4-2.2KW  | Y100L2-4-3KW    | Y112M-4-4KW     |
|                 | C                     | 2900                  | 90                                     | 24                 | 3                    | 72                       | Y160MI-2-11KW   | Y160M2-2-15KW   | Y160L-2-18.5KW  |
|                 |                       | 1450                  | 46                                     | 6                  | 1.5                  | 65                       | Y100L1-4-2.2KW  | Y100L1-4-2.2KW  | Y100L2-4-3KW    |
| D               | 2900                  | 80                    | 14                                     | 3                  | 70                   | Y132S-2-5.5KW            | Y132S1-2-7.5KW  | Y160MI-2-11KW   |                 |
|                 | 1450                  | 38                    | 4                                      | 1.5                | 63                   | Y100L1-4-2.2KW           | Y100L1-4-2.2KW  | Y100L2-4-3KW    |                 |
| CZ100-65-200    | A                     | 2900                  | 100                                    | 54                 | 3.2                  | 74                       | Y200L1-2-30KW   | Y200L2-2-37KW   |                 |
|                 |                       | 1450                  | 50                                     | 13                 | 1                    | 74                       | Y112M-4-4KW     | Y112M-4-4KW     | Y132S-2-5.5KW   |
|                 | B                     | 2900                  | 90                                     | 50                 | 3.2                  | 73                       | Y180M-2-22KW    | Y200L1-2-30KW   | Y200L2-2-37KW   |
|                 |                       | 1450                  | 46                                     | 12                 | 1                    | 73                       | Y100L2-4-3KW    | Y112M-4-4KW     | Y132S-2-5.5KW   |
|                 | C                     | 2900                  | 90                                     | 40                 | 3.2                  | 72                       | Y180M-4-18.5KW  | Y180M-2-22KW    | Y200L1-2-30KW   |
|                 |                       | 1450                  | 42                                     | 10                 | 1                    | 69                       | Y100L2-4-3KW    | Y112M-4-4KW     | Y112M-4-4KW     |
| D               | 2900                  | 70                    | 30                                     | 3.2                | 68                   | Y160MI-2-11KW            | Y160M2-2-15KW   | Y160L-2-18.5KW  |                 |
|                 | 1450                  | 36                    | 7                                      | 1                  | 60                   | Y100L1-4-2.2KW           | Y100L2-4-3KW    | Y112M-4-4KW     |                 |
| CZ100-65-250    | A                     | 2900                  | 115                                    | 85                 | 3.4                  | 71                       | Y225M-2-45KW    | Y250M-2-55KW    |                 |
|                 |                       | 1450                  | 54                                     | 21                 | 0.9                  | 68                       | Y160M-4-11KW    | Y160M-4-11KW    | Y160M-4-11KW    |
|                 | B                     | 2900                  | 115                                    | 75                 | 3.4                  | 71                       | Y250M-2-55KW    |                 |                 |
|                 |                       | 1450                  | 50                                     | 20                 | 0.9                  | 67                       | Y132S-4-5.5KW   | Y160M-4-11KW    | Y160M-4-11KW    |
|                 | C                     | 2900                  | 100                                    | 65                 | 3.4                  | 69                       | Y200L2-2-37KW   | Y225M-2-45KW    | Y250M-2-55KW    |
|                 |                       | 1450                  | 46                                     | 16                 | 0.9                  | 66                       | Y112M-4-4KW     | Y132S-4-5.5KW   | Y160M-4-11KW    |
| D               | 2900                  | 80                    | 50                                     | 3.4                | 68                   | Y200L1-2-30KW            | Y200L1-2-30KW   | Y200L2-2-37KW   |                 |
|                 | 1450                  | 40                    | 10                                     | 0.9                | 64                   | Y112M-4-4KW              | Y112M-4-4KW     | Y132S-4-5.5KW   |                 |
| CZ100-65-315    | A                     | 2900                  | 135                                    | 135                | 5.5                  | 66                       | Y280M-2-90KW    | Y315S-2-110KW   | Y315L1-2-160KW  |
|                 |                       | 1450                  | 64                                     | 32                 | 1.3                  | 62                       | Y160L-4-15KW    | Y180M-4-18.5KW  | Y200L-4-30KW    |
|                 | B                     | 2900                  | 130                                    | 125                | 5.5                  | 65.5                     | Y280M-2-90KW    | Y315S-2-110KW   | Y315L1-2-160KW  |
|                 |                       | 1450                  | 61                                     | 30                 | 1.3                  | 60                       | Y160L-4-15KW    | Y180M-4-18.5KW  | Y180L-4-22KW    |
|                 | C                     | 2900                  | 115                                    | 115                | 5.5                  | 65                       | Y280S-2-75KW    | Y280M-2-90KW    | Y315M-2-132KW   |
|                 |                       | 1450                  | 56                                     | 28                 | 1.3                  | 60                       | Y160M-4-11KW    | Y160L-4-15KW    | Y180M-4-18.5KW  |
| D               | 2900                  | 110                   | 102                                    | 5.5                | 64.5                 | Y280S-2-75KW             | Y280M-2-90KW    | Y315S-2-110KW   |                 |
|                 | 1450                  | 54                    | 24                                     | 1.3                | 60                   | Y160M-4-11KW             | Y160M-4-11KW    | Y160L-4-15KW    |                 |

| 型号<br>Pump type | 叶轮型式<br>Impeller form | 转速<br>Speed<br>N(rpm) | 流量<br>Capacity<br>Q(m <sup>3</sup> /h) | 扬程<br>Head<br>H(m) | 汽蚀余量<br>NPSHr<br>(m) | 效率<br>Efficiency<br>η(%) | 电机 Motor        |                 |                 |
|-----------------|-----------------------|-----------------------|--|--------------------|----------------------|--------------------------|-----------------|-----------------|-----------------|
|                 |                       |                       |  |                    |                      |                          | 比重 SG<br>γ=1.00 | 比重 SG<br>γ=1.35 | 比重 SG<br>γ=1.84 |
| CZ100-65-315    | E                     | 2900                  | 90                                     | 85                 | 5.5                  | 64                       | Y225M-2-45KW    | Y250M-2-55KW    | Y280S-2-75KW    |
|                 |                       | 1450                  | 52                                     | 20                 | 1.3                  | 60                       | Y132M-4-7.5KW   | Y160M-4-11KW    | Y160L-4-15KW    |
|                 | F                     | 2900                  | 75                                     | 70                 | 5.5                  | 63                       | Y200L1-2-30KW   | Y225M-2-45KW    | Y250M-2-55KW    |
|                 |                       | 1450                  | 50                                     | 16                 | 1.3                  | 59                       | Y132S-4-5.5KW   | Y132M-4-7.5KW   | Y160M-4-11KW    |
| CZ125-80-160    | A                     | 2900                  | 170                                    | 30                 | 4.2                  | 76                       | Y180M-2-22KW    | Y200L1-2-30KW   | Y200L2-2-37KW   |
|                 |                       | 1450                  | 75                                     | 8                  | 2.2                  | 70                       | Y112M-4-4KW     | Y132S-4-5.5KW   | Y132M-4-7.5KW   |
|                 | B                     | 2900                  | 160                                    | 26                 | 4.2                  | 75.5                     | Y160L-2-18.5KW  | Y180M-2-22KW    | Y200L1-2-30KW   |
|                 |                       | 1450                  | 70                                     | 7                  | 2.2                  | 69.5                     | Y112M-4-4KW     | Y112M-4-4KW     | Y132S-4-5.5KW   |
|                 | C                     | 2900                  | 150                                    | 22                 | 4.2                  | 74.5                     | Y160M2-2-15KW   | Y160L-2-18.5KW  | Y200L1-2-30KW   |
|                 |                       | 1450                  | 70                                     | 5                  | 2.2                  | 69                       | Y100L1-4-2.2KW  | Y100L2-4-3KW    | Y112M-4-4KW     |
|                 | D                     | 2900                  | 130                                    | 16                 | 4.2                  | 70                       | Y160MI-2-11KW   | Y160M2-2-15KW   | Y160L-2-18.5KW  |
|                 |                       | 1450                  | 65                                     | 4                  | 2.2                  | 68                       | Y100L1-4-2.2KW  | Y100L1-4-2.2KW  | Y100L2-4-3KW    |
| CZ125-80-200    | A                     | 2900                  | 150                                    | 50                 | 3.8                  | 79                       | Y200L2-2-37KW   | Y225M-2-45KW    | Y250M-2-55KW    |
|                 |                       | 1450                  | 80                                     | 12                 | 1.9                  | 73                       | Y132S-4-5.5KW   | Y160M-4-11KW    | Y160M-4-11KW    |
|                 | B                     | 2900                  | 140                                    | 46                 | 3.8                  | 79                       | Y200L1-2-30KW   | Y200L2-2-37KW   | Y250M-2-55KW    |
|                 |                       | 1450                  | 75                                     | 11                 | 1.9                  | 73                       | Y132S-4-5.5KW   | Y132M-4-7.5KW   | Y160M-4-11KW    |
|                 | C                     | 2900                  | 130                                    | 38                 | 3.8                  | 78                       | Y180M-2-22KW    | Y200L1-2-30KW   | Y225M-2-45KW    |
|                 |                       | 1450                  | 65                                     | 9                  | 1.9                  | 72                       | Y112M-4-4KW     | Y132S-4-5.5KW   | Y132M-4-7.5KW   |
|                 | D                     | 2900                  | 110                                    | 26                 | 3.8                  | 74                       | Y160M2-2-15KW   | Y180M-2-22KW    | Y200L1-2-30KW   |
|                 |                       | 1450                  | 60                                     | 6                  | 1.9                  | 69                       | Y100L2-4-3KW    | Y100L2-4-3KW    | Y112M-4-4KW     |
| CZ125-80-250    | A                     | 2900                  | 190                                    | 80                 | 5                    | 80                       | Y280S-2-75KW    |                 |                 |
|                 |                       | 1450                  | 95                                     | 20                 | 1.3                  | 78                       | Y160M-4-11KW    | Y160L-4-15KW    | Y180M-4-18.5KW  |
|                 | B                     | 2900                  | 180                                    | 75                 | 5                    | 80                       | Y250M-2-55KW    | Y280S-2-75KW    |                 |
|                 |                       | 1450                  | 90                                     | 19                 | 1.3                  | 77                       | Y160M-4-11KW    | Y160L-4-15KW    | Y180M-4-18.5KW  |
|                 | C                     | 2900                  | 170                                    | 70                 | 5                    | 78                       | Y250M-2-55KW    | Y280S-2-75KW    |                 |
|                 |                       | 1450                  | 85                                     | 17                 | 1.3                  | 76                       | Y160M-4-11KW    | Y160M-4-11KW    | Y160L-4-15KW    |
|                 | D                     | 2900                  | 150                                    | 55                 | 5                    | 76                       | Y200L2-2-37KW   | Y250M-2-55KW    | Y280S-2-75KW    |
|                 |                       | 1450                  | 75                                     | 14                 | 1.3                  | 72                       | Y132M-4-7.5KW   | Y160M-4-11KW    | Y160L-4-15KW    |
|                 | E                     | 2900                  | 130                                    | 47                 | 5                    | 72                       | Y200L1-2-30KW   | Y200L2-2-37KW   | Y250M-2-55KW    |
|                 |                       | 1450                  | 70                                     | 11                 | 1.3                  | 68                       | Y132S-4-5.5KW   | Y132M-4-7.5KW   | Y160M-4-11KW    |

| 型号<br>Pump type | 叶轮型式<br>Impeller form | 转速<br>Speed<br>N(rpm) | 流量<br>Capacity<br>Q(m <sup>3</sup> /h) | 扬程<br>Head<br>H(m) | 汽蚀余量<br>NPSHr<br>(m) | 效率<br>Efficiency<br>η(%) | 电机 Motor        |                 |                 |
|-----------------|-----------------------|-----------------------|--|--------------------|----------------------|--------------------------|-----------------|-----------------|-----------------|
|                 |                       |                       |  |                    |                      |                          | 比重 SG<br>γ=1.00 | 比重 SG<br>γ=1.35 | 比重 SG<br>γ=1.84 |
| CZ125-80-315    | A                     | 2900                  | 200                                    | 130                | 5.5                  | 76.5                     | Y315S-2-110KW   | Y315L1-2-160KW  |                 |
|                 |                       | 1450                  | 100                                    | 32                 | 1.3                  | 72.5                     | Y180M-4-18.5KW  | Y180L-4-22KW    | Y200L-4-30KW    |
|                 | B                     | 2900                  | 180                                    | 125                | 5.5                  | 76                       | Y315S-2-110KW   | Y315M-2-132KW   |                 |
|                 |                       | 1450                  | 95                                     | 30                 | 1.3                  | 72                       | Y160L-4-15KW    | Y180L-4-22KW    | Y200L-4-30KW    |
|                 | C                     | 2900                  | 160                                    | 100                | 5.5                  | 74                       | Y280S-2-75KW    | Y280M-2-90KW    | Y315M-2-132KW   |
|                 |                       | 1450                  | 85                                     | 24                 | 1.3                  | 69                       | Y160L-4-15KW    | Y160L-4-15KW    | Y180L-4-22KW    |
|                 | D                     | 2900                  | 150                                    | 75                 | 5.5                  | 72                       | Y250M-2-55KW    | Y280S-2-75KW    | Y280M-2-90KW    |
|                 |                       | 1450                  | 70                                     | 18                 | 1.3                  | 67                       | Y160M-4-11KW    | Y160L-4-15KW    | Y160L-4-15KW    |
| CZ125-80-400    | A                     | 1450                  | 105                                    | 52                 | 1.2                  | 63                       | Y200L-4-30KW    | Y225S-4-37KW    | Y250M-4-55KW    |
|                 | B                     | 1450                  | 100                                    | 50                 | 1.2                  | 63                       | Y200L-4-30KW    | Y225S-4-37KW    | Y250M-4-55KW    |
|                 | C                     | 1450                  | 90                                     | 44                 | 1.2                  | 58                       | Y200L-4-30KW    | Y225S-4-37KW    | Y225M-4-45KW    |
|                 | D                     | 1450                  | 80                                     | 38                 | 1.2                  | 55                       | Y180L-4-22KW    | Y200L-4-30KW    | Y225S-4-37KW    |
|                 | E                     | 1450                  | 75                                     | 30                 | 1.2                  | 52                       | Y180M-4-18.5KW  | Y180L-4-22KW    | Y200L-4-30KW    |
| CZ125-100-200   | A                     | 2900                  | 220                                    | 45                 | 4                    | 81                       | Y225M-2-45KW    | Y250M-2-55KW    | Y280S-2-75KW    |
|                 |                       | 1450                  | 115                                    | 11                 | 1.2                  | 80                       | Y132M-4-7.5KW   | Y160M-4-11KW    | Y160M-4-11KW    |
|                 | B                     | 2900                  | 200                                    | 40                 | 4                    | 81                       | Y200L2-2-37KW   | Y250M-2-55KW    | Y280S-2-75KW    |
|                 |                       | 1450                  | 100                                    | 10                 | 1.2                  | 80                       | Y132S-4-5.5KW   | Y132M-4-7.5KW   | Y160M-4-11KW    |
|                 | C                     | 2900                  | 180                                    | 30                 | 4                    | 80                       | Y200L1-2-30KW   | Y200L2-2-37KW   | Y225M-2-45KW    |
|                 |                       | 1450                  | 90                                     | 8                  | 1.2                  | 77                       | Y132S-4-5.5KW   | Y132M-4-7.5KW   | Y160M-4-11KW    |
|                 | D                     | 2900                  | 150                                    | 25                 | 4                    | 75                       | Y180M-2-22KW    | Y200L1-2-30KW   | Y200L2-2-37KW   |
|                 |                       | 1450                  | 80                                     | 6                  | 1.2                  | 75                       | Y112M-4-4KW     | Y132S-4-5.5KW   | Y132M-4-7.5KW   |
| CZ125-100-250   | A                     | 2900                  | 280                                    | 75                 | 4.9                  | 81.5                     | Y280M-2-90KW    | Y315S-2-110KW   | Y315L1-2-160KW  |
|                 |                       | 1450                  | 130                                    | 20                 | 1.2                  | 75.5                     | Y160L-4-15KW    | Y180L-4-22KW    | Y200L-4-30KW    |
|                 | B                     | 2900                  | 250                                    | 70                 | 4.9                  | 79                       | Y280S-2-75KW    | Y315S-2-110KW   | Y315M-2-132KW   |
|                 |                       | 1450                  | 130                                    | 18                 | 1.2                  | 74                       | Y160L-4-15KW    | Y180M-4-18.5KW  | Y200L-4-30KW    |
|                 | C                     | 2900                  | 230                                    | 55                 | 4.9                  | 75                       | Y280S-2-75KW    | Y280M-2-90KW    | Y315M-2-132KW   |
|                 |                       | 1450                  | 120                                    | 14                 | 1.2                  | 71                       | Y160M-4-11KW    | Y160L-4-15KW    | Y180L-4-22KW    |
|                 | D                     | 2900                  | 200                                    | 40                 | 4.9                  | 68                       | Y225M-2-45KW    | Y250M-2-55KW    | Y280S-2-75KW    |
|                 |                       | 1450                  | 100                                    | 10                 | 1.2                  | 64                       | Y132M-4-7.5KW   | Y160M-4-11KW    | Y160L-4-15KW    |

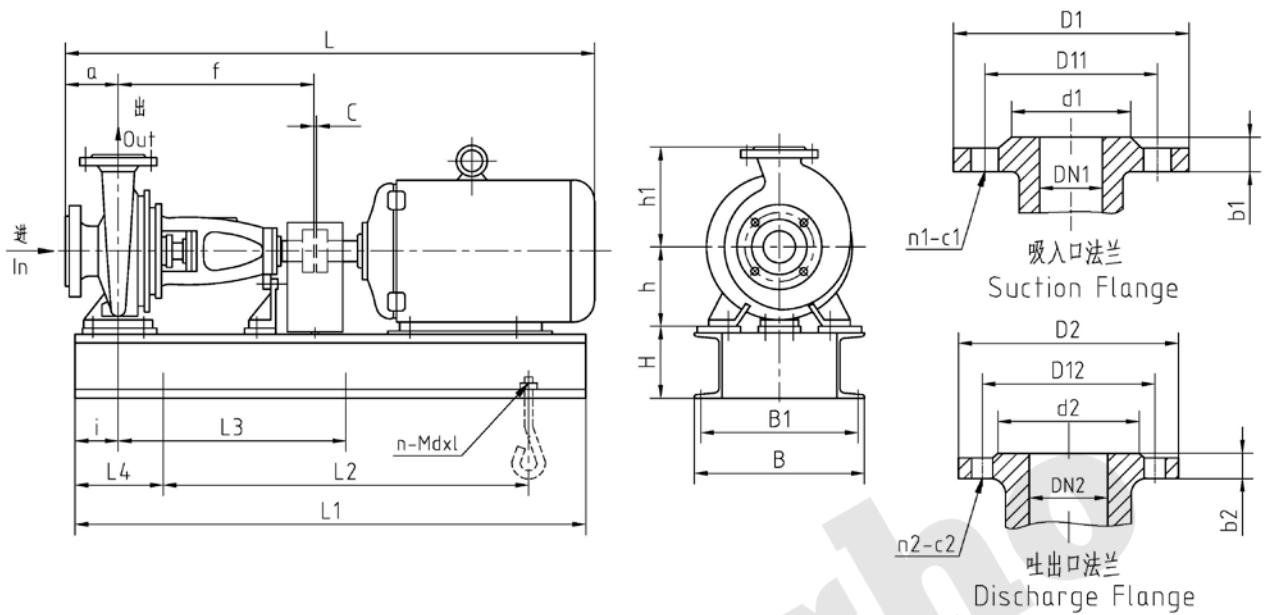


| 型号<br>Pump type | 叶轮型式<br>Impeller form | 转速<br>Speed<br>N(rpm) | 流量<br>Capacity<br>Q(m <sup>3</sup> /h) | 扬程<br>Head<br>H(m) | 汽蚀<br>余量<br>NPSHr<br>(m) | 效率<br>Efficiency<br>$\eta$ (%) | 电机 Motor               |                        |                        |
|-----------------|-----------------------|-----------------------|--|--------------------|--------------------------|--------------------------------|------------------------|------------------------|------------------------|
|                 |                       |                       |  |                    |                          |                                | 比重 SG<br>$\gamma=1.00$ | 比重 SG<br>$\gamma=1.35$ | 比重 SG<br>$\gamma=1.84$ |
| CZ125-100-315   | A                     | 2900                  | 270                                    | 135                | 5.5                      | 75.5                           | Y315L1-2-160KW         |                        |                        |
|                 |                       | 1450                  | 132                                    | 32                 | 1.5                      | 72                             | Y200L-4-30KW           | Y200L-4-30KW           | Y225S-4-37KW           |
|                 | B                     | 2900                  | 250                                    | 130                | 5.5                      | 75                             | Y315M-2-132KW          | Y315L2-2-200KW         |                        |
|                 |                       | 1450                  | 120                                    | 30                 | 1.5                      | 71                             | Y180M-4-18.5KW         | Y200L-4-30KW           | Y225S-4-37KW           |
|                 | C                     | 2900                  | 230                                    | 100                | 5.5                      | 75                             | Y315S-2-110KW          | Y315M-2-132KW          |                        |
|                 |                       | 1450                  | 100                                    | 26                 | 1.5                      | 70                             | Y160L-4-15KW           | Y180M-4-18.5KW         | Y200L-4-30KW           |
|                 | D                     | 2900                  | 200                                    | 85                 | 5.5                      | 74                             | Y280S-2-75KW           | Y315S-2-110KW          | Y315M-2-132KW          |
|                 |                       | 1450                  | 90                                     | 21                 | 1.5                      | 69                             | Y160L-4-15KW           | Y160L-4-15KW           | Y180M-4-18.5KW         |
| CZ125-100-400   | A                     | 1450                  | 150                                    | 50                 | 2                        | 76                             | Y225M-4-45KW           | Y250M-4-55KW           | Y280S-4-75KW           |
|                 | B                     | 1450                  | 140                                    | 48                 | 2                        | 75                             | Y225S-4-37KW           | Y250M-4-55KW           | Y280S-4-75KW           |
|                 | C                     | 1450                  | 120                                    | 40                 | 2                        | 71                             | Y200L-4-30KW           | Y225S-4-37KW           | Y250M-4-55KW           |
|                 | D                     | 1450                  | 100                                    | 30                 | 2                        | 68                             | Y180L-4-22KW           | Y200L-4-30KW           | Y225S-4-37KW           |
| CZ150-125-250   | A                     | 1450                  | 200                                    | 20                 | 2.2                      | 84                             | Y180M-4-18.5KW         | Y200L-4-30KW           | Y225S-4-37KW           |
|                 | B                     | 1450                  | 200                                    | 18                 | 2.2                      | 83                             | Y180M-4-18.5KW         | Y180L-4-22KW           | Y200L-4-30KW           |
|                 | C                     | 1450                  | 190                                    | 14                 | 2.2                      | 76                             | Y160L-4-15KW           | Y180M-4-18.5KW         | Y200L-4-30KW           |
|                 | D                     | 1450                  | 160                                    | 10                 | 2.2                      | 70                             | Y160M-4-11KW           | Y160L-4-15KW           | Y160L-4-15KW           |
| CZ150-125-315   | A                     | 1450                  | 200                                    | 30                 | 2                        | 79                             | Y200L-4-30KW           | Y225S-4-37KW           | Y225M-4-45KW           |
|                 | B                     | 1450                  | 180                                    | 30                 | 2                        | 79                             | Y200L-4-30KW           | Y200L-4-30KW           | Y225S-4-37KW           |
|                 | C                     | 1450                  | 170                                    | 24                 | 2                        | 77                             | Y180M-4-18.5KW         | Y200L-4-30KW           | Y200L-4-30KW           |
|                 | D                     | 1450                  | 100                                    | 18                 | 2                        | 76                             | Y160L-4-15KW           | Y180M-4-18.5KW         | Y200L-4-30KW           |
| CZ150-125-400   | A                     | 1450                  | 220                                    | 50                 | 2.2                      | 74.5                           | Y250M-4-55KW           | Y280S-4-75KW           | Y280M-4-90KW           |
|                 | B                     | 1450                  | 200                                    | 48                 | 2.2                      | 74                             | Y225M-4-45KW           | Y280S-4-75KW           | Y280S-4-75KW           |
|                 | C                     | 1450                  | 180                                    | 46                 | 2.2                      | 73                             | Y225S-4-37KW           | Y250M-4-55KW           | Y280S-4-75KW           |
|                 | D                     | 1450                  | 170                                    | 42                 | 2.2                      | 71                             | Y200L-4-30KW           | Y225M-4-45KW           | Y250M-4-55KW           |
|                 | E                     | 1450                  | 150                                    | 36                 | 2.2                      | 69                             | Y200L-4-30KW           | Y200L-4-30KW           | Y225M-4-45KW           |
|                 | F                     | 1450                  | 150                                    | 30                 | 2.2                      | 68                             | Y200L-4-30KW           | Y200L-4-30KW           | Y225S-4-37KW           |
| CZ200-150-250   | A                     | 1450                  | 320                                    | 17                 | 3.5                      | 83                             | Y180L-4-22KW           | Y200L-4-30KW           | Y225S-4-37KW           |
|                 | B                     | 1450                  | 300                                    | 15                 | 3.5                      | 83                             | Y180M-4-18.5KW         | Y200L-4-30KW           | Y225S-4-37KW           |
|                 | C                     | 1450                  | 280                                    | 13                 | 3.5                      | 82                             | Y180M-4-18.5KW         | Y200L-4-30KW           | Y225S-4-37KW           |
|                 | D                     | 1450                  | 260                                    | 12                 | 3.5                      | 80                             | Y160L-4-15KW           | Y180M-4-18.5KW         | Y200L-4-30KW           |
|                 | E                     | 1450                  | 240                                    | 11                 | 3.5                      | 78                             | Y160M-4-11KW           | Y160L-4-15KW           | Y180L-4-22KW           |

| 型号<br>Pump type | 叶轮型式<br>Impeller form | 转速<br>Speed<br>N(rpm) | 流量<br>Capacity<br>Q(m <sup>3</sup> /h) | 扬程<br>Head<br>H(m) | 汽蚀余量<br>NPSHr<br>(m) | 效率<br>Efficiency<br>η(%) | 电机 Motor        |                 |                 |
|-----------------|-----------------------|-----------------------|--|--------------------|----------------------|--------------------------|-----------------|-----------------|-----------------|
|                 |                       |                       |  |                    |                      |                          | 比重 SG<br>γ=1.00 | 比重 SG<br>γ=1.35 | 比重 SG<br>γ=1.84 |
| CZ200-150-315   | A                     | 1450                  | 380                                    | 30                 | 3                    | 82.5                     | Y225M-4-45KW    | Y280S-4-75KW    |                 |
|                 | B                     | 1450                  | 340                                    | 26                 | 3                    | 82                       | Y225S-4-37KW    | Y225M-4-45KW    |                 |
|                 | C                     | 1450                  | 320                                    | 20                 | 3                    | 81                       | Y200L-4-30KW    | Y225S-4-37KW    | Y250M-4-55KW    |
|                 | D                     | 1450                  | 300                                    | 17                 | 3                    | 79                       | Y180L-4-22KW    | Y200L-4-30KW    | Y225S-4-37KW    |
| CZ200-150-400   | A                     | 1450                  | 400                                    | 48                 | 4.3                  | 80                       | Y280S-4-75KW    | Y315S-4-110KW   | Y315M-4-132KW   |
|                 | B                     | 1450                  | 340                                    | 40                 | 4.3                  | 80                       | Y250M-4-55KW    | Y280S-4-75KW    | Y315S-4-110KW   |
|                 | C                     | 1450                  | 300                                    | 34                 | 4.3                  | 77                       | Y225M-4-45KW    | Y280S-4-75KW    | Y280M-4-90KW    |
|                 | D                     | 1450                  | 260                                    | 28                 | 4.3                  | 73                       | Y225S-4-37KW    | Y225M-4-45KW    | Y280S-4-75KW    |
| CZ200-150-500   | A                     | 1450                  | 420                                    | 80                 | 2.5                  | 78                       | Y315L1-4-160KW  |                 |                 |
|                 | B                     | 1450                  | 400                                    | 70                 | 2.5                  | 78                       | Y315M-4-132KW   | Y315L1-4-160KW  |                 |
|                 | C                     | 1450                  | 360                                    | 65                 | 2.5                  | 77                       | Y315S-4-110KW   | Y315L1-4-160KW  |                 |
|                 | D                     | 1450                  | 340                                    | 50                 | 2.5                  | 77                       | Y280S-4-75KW    | Y315S-4-110KW   | Y315M-4-132KW   |
|                 | E                     | 1450                  | 300                                    | 45                 | 2.5                  | 76                       | Y280S-4-75KW    | Y280M-4-90KW    | Y315S-4-110KW   |
| CZ250-200-250   | A                     | 1450                  | 600                                    | 12                 | 3.5                  | 85                       | Y200L-4-30KW    | Y225S-4-37KW    | Y250M-4-55KW    |
|                 | B                     | 1450                  | 540                                    | 11                 | 3.5                  | 85                       | Y200L-4-30KW    | Y225S-4-37KW    | Y225M-4-45KW    |
|                 | C                     | 1450                  | 500                                    | 10                 | 3.5                  | 84                       | Y180L-4-22KW    | Y200L-4-30KW    | Y225S-4-37KW    |
| CZ250-200-315   | A                     | 1450                  | 650                                    | 24                 | 4                    | 83.5                     | Y280S-4-75KW    | Y280M-4-90KW    | Y315S-4-110KW   |
|                 | B                     | 1450                  | 600                                    | 20                 | 4                    | 83                       | Y250M-4-55KW    | Y280S-4-75KW    | Y280M-4-90KW    |
|                 | C                     | 1450                  | 550                                    | 16                 | 4                    | 81                       | Y225S-4-37KW    | Y250M-4-55KW    | Y280S-4-75KW    |
|                 | D                     | 1450                  | 500                                    | 13                 | 4                    | 80                       | Y200L-4-30KW    | Y225M-4-45KW    | Y250M-4-55KW    |
| CZ250-200-400   | A                     | 1450                  | 650                                    | 52                 | 3.5                  | 84                       | Y315M-4-132KW   |                 |                 |
|                 | B                     | 1450                  | 550                                    | 45                 | 3.5                  | 83                       | Y315S-4-110KW   | Y315M-4-132KW   |                 |
|                 | C                     | 1450                  | 500                                    | 40                 | 3.5                  | 82                       | Y280M-4-90KW    | Y315S-4-110KW   | Y315L1-4-160KW  |
|                 | D                     | 1450                  | 450                                    | 30                 | 3.5                  | 78                       | Y280S-4-75KW    | Y280M-4-90KW    | Y315S-4-110KW   |
| CZ250-200-500   | A                     | 1450                  | 700                                    | 75                 | 3                    | 81.5                     | Y355M1-4-220KW  | Y355L1-4-280KW  |                 |
|                 | B                     | 1450                  | 650                                    | 65                 | 3                    | 81                       | Y315L1-4-160KW  | Y355M2-4-250KW  | Y355L2-4-315KW  |
|                 | C                     | 1450                  | 550                                    | 55                 | 3                    | 80                       | Y315M-4-132KW   | Y315L1-4-160KW  | Y355M2-4-250KW  |
|                 | D                     | 1450                  | 450                                    | 40                 | 3                    | 76                       | Y280S-4-75KW    | Y315S-4-110KW   | Y315L1-4-160KW  |
| CZ300-250-315   | A                     | 1450                  | 950                                    | 22                 | 5                    | 86                       | Y280S-4-75KW    | Y315S-4-110KW   | Y315L1-4-160KW  |
|                 | B                     | 1450                  | 900                                    | 20                 | 5                    | 84                       | Y280S-4-75KW    | Y280M-4-90KW    | Y315M-4-132KW   |
|                 | C                     | 1450                  | 800                                    | 16                 | 5                    | 77                       | Y280S-4-75KW    | Y280M-4-90KW    | Y315S-4-110KW   |

| 型号<br>Pump type | 叶轮型式<br>Impeller form | 转速<br>Speed<br>N(rpm) | 流量<br>Capacity<br>Q(m <sup>3</sup> /h) | 扬程<br>Head<br>H(m) | 汽蚀余量<br>NPSHr<br>(m) | 效率<br>Efficiency<br>η(%) | 电机 Motor        |                 |                 |
|-----------------|-----------------------|-----------------------|--|--------------------|----------------------|--------------------------|-----------------|-----------------|-----------------|
|                 |                       |                       |  |                    |                      |                          | 比重 SG<br>γ=1.00 | 比重 SG<br>γ=1.35 | 比重 SG<br>γ=1.84 |
| CZ300-250-400   | A                     | 1450                  | 1000                                   | 44                 | 6                    | 83                       | Y315L1-4-160KW  | Y355M1-4-220KW  | Y355L2-4-315KW  |
|                 | B                     | 1450                  | 900                                    | 38                 | 6                    | 81                       | Y315M-4-132KW   | Y315L2-4-185KW  | Y355L1-4-280KW  |
|                 | C                     | 1450                  | 850                                    | 30                 | 6                    | 80                       | Y315S-4-110KW   | Y315L1-4-160KW  | Y315L2-4-200KW  |
|                 | D                     | 1450                  | 800                                    | 24                 | 6                    | 77                       | Y280M-4-90KW    | Y315S-4-110KW   | Y315L1-4-160KW  |
| CZ300-250-500   | A                     | 1450                  | 1200                                   | 80                 | 6                    | 85                       | 4-355KW         |                 |                 |
|                 | B                     | 1450                  | 1100                                   | 70                 | 6                    | 85                       | Y355L2-4-315KW  |                 |                 |
|                 | C                     | 1450                  | 1000                                   | 55                 | 6                    | 82                       | Y355M2-4-250KW  | 4-355KW         |                 |
|                 | D                     | 1450                  | 850                                    | 45                 | 6                    | 80                       | Y315L1-4-160KW  | Y355M1-4-220KW  | Y355L2-4-315KW  |
| CZ350-300-400   | A                     | 1450                  | 1500                                   | 40                 | 6                    | 87                       | Y355M1-4-220KW  | Y355L2-4-315KW  |                 |
|                 | B                     | 1450                  | 1400                                   | 30                 | 6                    | 86                       | Y315L1-4-160KW  | Y355M1-4-220KW  | Y355L2-4-315KW  |
|                 | C                     | 1450                  | 1300                                   | 25                 | 6                    | 84                       | Y315M-4-132KW   | Y315L2-4-185KW  | Y355M2-4-250KW  |
|                 | D                     | 1450                  | 1300                                   | 20                 | 6                    | 82                       | Y315S-4-110KW   | Y315L1-4-160KW  | Y315L2-4-200KW  |
| CZ350-300-500   | A                     | 1450                  | 1700                                   | 70                 | 6                    | 84                       | 4-450KW         | 4-630KW         |                 |
|                 | B                     | 1450                  | 1500                                   | 60                 | 6                    | 82                       | 4-400KW         | 4-500KW         |                 |
|                 | C                     | 1450                  | 1300                                   | 50                 | 6                    | 80                       | Y355L1-4-280KW  | 4-355KW         | 4-500KW         |
|                 | D                     | 1450                  | 1100                                   | 40                 | 6                    | 77                       | Y315L2-4-200KW  | Y355L1-4-280KW  | 4-355KW         |

• 泵外形及安装尺寸图 Outline and Install Dimensions



| 型号<br>Type  | 电机<br>Motor | 泵座<br>Pump base |     |     |      |      |     |    |     |     |     |           | 吸入口法兰尺寸<br>Suction Flange Dimensions |    |     |   |     |     |     |     | 排出口法兰尺寸<br>Discharge Flange Dimensions |         |     |     |     |    | 重量<br>Weigh |         |       |
|-------------|-------------|-----------------|-----|-----|------|------|-----|----|-----|-----|-----|-----------|--------------------------------------|----|-----|---|-----|-----|-----|-----|--|---------|-----|-----|-----|----|-------------|---------|-------|
|             |             | a               | h   | h1  | L    | L1   | L2  | L3 | L4  | B   | B1  | n-Mdxl    | H                                    | i  | f   | c | DN1 | D1  | D11 | d1  | b1                                     | n1-d1   | DN2 | D2  | D12 | d2 |             | b2      | n2-d2 |
| CZ50-32-160 | 90S         | 80              | 132 | 160 | 915  | 900  | 600 |    | 150 | 390 | 350 | 4-M12X220 | 125                                  | 75 | 385 | 3 | 50  | 165 | 125 | 99  | 20                                     | 4-φ17.5 | 32  | 140 | 100 | 76 | 18          | 4-φ17.5 | 120   |
|             | 90L         | 80              | 132 | 160 | 940  | 900  | 600 |    | 150 | 390 | 350 | 4-M12X220 | 125                                  | 75 | 385 | 3 | 50  | 165 | 125 | 99  | 20                                     | 4-φ17.5 | 32  | 140 | 100 | 76 | 18          | 4-φ17.5 | 123   |
|             | 100L        | 80              | 132 | 160 | 985  | 900  | 600 |    | 150 | 390 | 350 | 4-M12X220 | 125                                  | 75 | 385 | 3 | 50  | 165 | 125 | 99  | 20                                     | 4-φ17.5 | 32  | 140 | 100 | 76 | 18          | 4-φ17.5 | 131   |
|             | 112M        | 80              | 132 | 160 | 1005 | 900  | 600 |    | 150 | 390 | 350 | 4-M12X220 | 125                                  | 75 | 385 | 3 | 50  | 165 | 125 | 99  | 20                                     | 4-φ17.5 | 32  | 140 | 100 | 76 | 18          | 4-φ17.5 | 143   |
|             | 132S        | 80              | 132 | 160 | 1080 | 1000 | 660 |    | 170 | 390 | 350 | 4-M12X220 | 125                                  | 75 | 385 | 3 | 50  | 165 | 125 | 99  | 20                                     | 4-φ17.5 | 32  | 140 | 100 | 76 | 18          | 4-φ17.5 | 182   |
| CZ50-32-200 | 90L         | 80              | 160 | 180 | 940  | 900  | 600 |    | 150 | 390 | 350 | 4-M12X220 | 125                                  | 75 | 385 | 3 | 50  | 165 | 125 | 99  | 20                                     | 4-φ17.5 | 32  | 140 | 100 | 76 | 18          | 4-φ17.5 | 129   |
|             | 100L        | 80              | 160 | 180 | 985  | 900  | 600 |    | 150 | 390 | 350 | 4-M12X220 | 125                                  | 75 | 385 | 3 | 50  | 165 | 125 | 99  | 20                                     | 4-φ17.5 | 32  | 140 | 100 | 76 | 18          | 4-φ17.5 | 137   |
|             | 112M        | 80              | 160 | 180 | 1005 | 900  | 600 |    | 150 | 390 | 350 | 4-M12X220 | 125                                  | 75 | 385 | 3 | 50  | 165 | 125 | 99  | 20                                     | 4-φ17.5 | 32  | 140 | 100 | 76 | 18          | 4-φ17.5 | 149   |
|             | 132S        | 80              | 160 | 180 | 1080 | 1000 | 660 |    | 170 | 390 | 350 | 4-M12X220 | 125                                  | 75 | 385 | 3 | 50  | 165 | 125 | 99  | 20                                     | 4-φ17.5 | 32  | 140 | 100 | 76 | 18          | 4-φ17.5 | 194   |
|             | 160M        | 80              | 160 | 180 | 1205 | 1120 | 740 |    | 190 | 390 | 350 | 4-M12X220 | 125                                  | 75 | 385 | 3 | 50  | 165 | 125 | 99  | 20                                     | 4-φ17.5 | 32  | 140 | 100 | 76 | 18          | 4-φ17.5 | 305   |
| CZ50-32-250 | 90S         | 100             | 80  | 225 | 1050 | 1000 | 660 |    | 170 | 390 | 350 | 4-M12X220 | 125                                  | 90 | 500 | 4 | 50  | 165 | 125 | 99  | 20                                     | 4-φ17.5 | 32  | 140 | 100 | 76 | 18          | 4-φ17.5 | 196   |
|             | 90L         | 100             | 80  | 225 | 1070 | 1000 | 660 |    | 170 | 390 | 350 | 4-M12X220 | 125                                  | 90 | 500 | 4 | 50  | 165 | 125 | 99  | 20                                     | 4-φ17.5 | 32  | 140 | 100 | 76 | 18          | 4-φ17.5 | 199   |
|             | 100L        | 100             | 80  | 225 | 1120 | 1120 | 740 |    | 190 | 390 | 350 | 4-M12X220 | 125                                  | 90 | 500 | 4 | 50  | 165 | 125 | 99  | 20                                     | 4-φ17.5 | 32  | 140 | 100 | 76 | 18          | 4-φ17.5 | 196   |
|             | 112M        | 100             | 80  | 225 | 1140 | 1120 | 740 |    | 190 | 390 | 350 | 4-M12X220 | 125                                  | 90 | 500 | 4 | 50  | 165 | 125 | 99  | 20                                     | 4-φ17.5 | 32  | 140 | 100 | 76 | 18          | 4-φ17.5 | 208   |
|             | 132S        | 100             | 80  | 225 | 1215 | 1120 | 740 |    | 190 | 390 | 350 | 4-M12X220 | 125                                  | 90 | 500 | 4 | 50  | 165 | 125 | 99  | 20                                     | 4-φ17.5 | 32  | 140 | 100 | 76 | 18          | 4-φ17.5 | 233   |
|             | 160M        | 100             | 80  | 225 | 1340 | 1250 | 840 |    | 205 | 390 | 350 | 4-M12X220 | 125                                  | 90 | 500 | 4 | 50  | 165 | 125 | 99  | 20                                     | 4-φ17.5 | 32  | 140 | 100 | 76 | 18          | 4-φ17.5 | 279   |
|             | 160L        | 100             | 80  | 225 | 1385 | 1250 | 840 |    | 205 | 390 | 350 | 4-M12X220 | 125                                  | 90 | 500 | 4 | 50  | 165 | 125 | 99  | 20                                     | 4-φ17.5 | 32  | 140 | 100 | 76 | 18          | 4-φ17.5 | 301   |
|             | 200L        | 100             | 80  | 225 | 1515 | 1400 | 940 |    | 230 | 440 | 400 | 4-M16X400 | 170                                  | 90 | 500 | 4 | 50  | 165 | 125 | 99  | 20                                     | 4-φ17.5 | 32  | 140 | 100 | 76 | 18          | 4-φ17.5 | 451   |
| CZ65-40-160 | 90S         | 100             | 132 | 160 | 915  | 900  | 600 |    | 150 | 390 | 350 | 4-M12X220 | 125                                  | 75 | 385 | 3 | 65  | 185 | 145 | 118 | 22                                     | 8-φ17.5 | 40  | 150 | 110 | 84 | 18          | 4-φ17.5 | 122   |
|             | 90L         | 100             | 132 | 160 | 940  | 900  | 600 |    | 150 | 390 | 350 | 4-M12X220 | 125                                  | 75 | 385 | 3 | 65  | 185 | 145 | 118 | 22                                     | 8-φ17.5 | 40  | 150 | 110 | 84 | 18          | 4-φ17.5 | 125   |
|             | 100L        | 100             | 132 | 160 | 985  | 900  | 600 |    | 150 | 390 | 350 | 4-M12X220 | 125                                  | 75 | 385 | 3 | 65  | 185 | 145 | 118 | 22                                     | 8-φ17.5 | 40  | 150 | 110 | 84 | 18          | 4-φ17.5 | 133   |
|             | 112M        | 100             | 132 | 160 | 1005 | 900  | 600 |    | 150 | 390 | 350 | 4-M12X220 | 125                                  | 75 | 385 | 3 | 65  | 185 | 145 | 118 | 22                                     | 8-φ17.5 | 40  | 150 | 110 | 84 | 18          | 4-φ17.5 | 145   |
|             | 132S        | 100             | 132 | 160 | 1080 | 1000 | 660 |    | 170 | 390 | 350 | 4-M12X220 | 125                                  | 75 | 385 | 3 | 65  | 185 | 145 | 118 | 22                                     | 8-φ17.5 | 40  | 150 | 110 | 84 | 18          | 4-φ17.5 | 184   |
|             | 160M        | 100             | 132 | 160 | 1205 | 1120 | 740 |    | 190 | 390 | 350 | 4-M12X220 | 125                                  | 75 | 385 | 3 | 65  | 185 | 145 | 118 | 22                                     | 8-φ17.5 | 40  | 150 | 110 | 84 | 18          | 4-φ17.5 | 246   |



| 型号<br>Type  | 电机<br>Motor | 泵 座<br>Pump base |     |     |      |      |      |     |     |     |     |           |     |     |     | 吸入口法兰尺寸<br>Suction Flange Dimensions |     |     |     |     |    | 排出口法兰尺寸<br>Discharge Flange Dimensions |     |     |     |    |    | 重量<br>Weigh |       |
|-------------|-------------|------------------|-----|-----|------|------|------|-----|-----|-----|-----|-----------|-----|-----|-----|--------------------------------------|-----|-----|-----|-----|----|--|-----|-----|-----|----|----|-------------|-------|
|             |             | a                | h   | h1  | L    | L1   | L2   | L3  | L4  | B   | B1  | n-Mdxl    | H   | i   | f   | c                                    | DN1 | D1  | D11 | d1  | b1 | n1-d1                                  | DN2 | D2  | D12 | d2 | b2 |             | n2-d2 |
| CZ65-40-200 | 90S         | 100              | 160 | 180 | 935  | 900  | 600  |     | 150 | 390 | 350 | 4-M12X220 | 125 | 75  | 385 | 3                                    | 65  | 185 | 145 | 118 | 22 | 8-φ17.5                                | 40  | 150 | 110 | 84 | 18 | 4-φ17.5     | 143   |
|             | 90L         | 100              | 160 | 180 | 960  | 900  | 600  |     | 150 | 390 | 350 | 4-M12X220 | 125 | 75  | 385 | 3                                    | 65  | 185 | 145 | 118 | 22 | 8-φ17.5                                | 40  | 150 | 110 | 84 | 18 | 4-φ17.5     | 146   |
|             | 100L        | 100              | 160 | 180 | 1005 | 900  | 600  |     | 150 | 390 | 350 | 4-M12X220 | 125 | 75  | 385 | 3                                    | 65  | 185 | 145 | 118 | 22 | 8-φ17.5                                | 40  | 150 | 110 | 84 | 18 | 4-φ17.5     | 154   |
|             | 112M        | 100              | 160 | 180 | 1025 | 900  | 600  |     | 150 | 390 | 350 | 4-M12X220 | 125 | 75  | 385 | 3                                    | 65  | 185 | 145 | 118 | 22 | 8-φ17.5                                | 40  | 150 | 110 | 84 | 18 | 4-φ17.5     | 166   |
|             | 132S        | 100              | 160 | 180 | 1100 | 1000 | 660  |     | 170 | 390 | 350 | 4-M12X220 | 125 | 75  | 385 | 3                                    | 65  | 185 | 145 | 118 | 22 | 8-φ17.5                                | 40  | 150 | 110 | 84 | 18 | 4-φ17.5     | 199   |
|             | 160M        | 100              | 160 | 180 | 1225 | 1120 | 740  |     | 190 | 390 | 350 | 4-M12X220 | 125 | 75  | 385 | 3                                    | 65  | 185 | 145 | 118 | 22 | 8-φ17.5                                | 40  | 150 | 110 | 84 | 18 | 4-φ17.5     | 286   |
| CZ65-40-250 | 90S         | 100              | 180 | 225 | 1050 | 1000 | 660  |     | 170 | 390 | 350 | 4-M12X220 | 125 | 90  | 500 | 5                                    | 65  | 185 | 145 | 118 | 22 | 8-φ17.5                                | 40  | 150 | 110 | 84 | 18 | 4-φ17.5     | 195   |
|             | 90L         | 100              | 180 | 225 | 1070 | 1000 | 660  |     | 170 | 390 | 350 | 4-M12X220 | 125 | 90  | 500 | 5                                    | 65  | 185 | 145 | 118 | 22 | 8-φ17.5                                | 40  | 150 | 110 | 84 | 18 | 4-φ17.5     | 198   |
|             | 100L        | 100              | 180 | 225 | 1120 | 1120 | 740  |     | 190 | 390 | 350 | 4-M12X220 | 125 | 90  | 500 | 5                                    | 65  | 185 | 145 | 118 | 22 | 8-φ17.5                                | 40  | 150 | 110 | 84 | 18 | 4-φ17.5     | 194   |
|             | 112M        | 100              | 180 | 225 | 1140 | 1120 | 740  |     | 190 | 390 | 350 | 4-M12X220 | 125 | 90  | 500 | 5                                    | 65  | 185 | 145 | 118 | 22 | 8-φ17.5                                | 40  | 150 | 110 | 84 | 18 | 4-φ17.5     | 206   |
|             | 132S        | 100              | 180 | 225 | 1215 | 1120 | 740  |     | 190 | 390 | 350 | 4-M12X220 | 125 | 90  | 500 | 5                                    | 65  | 185 | 145 | 118 | 22 | 8-φ17.5                                | 40  | 150 | 110 | 84 | 18 | 4-φ17.5     | 231   |
|             | 160M        | 100              | 180 | 225 | 1340 | 1250 | 840  |     | 205 | 390 | 350 | 4-M12X220 | 125 | 90  | 500 | 5                                    | 65  | 185 | 145 | 118 | 22 | 8-φ17.5                                | 40  | 150 | 110 | 84 | 18 | 4-φ17.5     | 282   |
|             | 160L        | 100              | 180 | 225 | 1385 | 1250 | 840  |     | 205 | 390 | 350 | 4-M12X220 | 125 | 90  | 500 | 5                                    | 65  | 185 | 145 | 118 | 22 | 8-φ17.5                                | 40  | 150 | 110 | 84 | 18 | 4-φ17.5     | 304   |
|             | 180M        | 100              | 180 | 225 | 1410 | 1400 | 940  |     | 230 | 390 | 350 | 4-M16X400 | 125 | 90  | 500 | 5                                    | 65  | 185 | 145 | 118 | 22 | 8-φ17.5                                | 40  | 150 | 110 | 84 | 18 | 4-φ17.5     | 343   |
|             | 200L        | 100              | 180 | 225 | 1515 | 1400 | 940  |     | 230 | 390 | 350 | 4-M16X400 | 140 | 100 | 500 | 5                                    | 65  | 185 | 145 | 118 | 22 | 8-φ17.5                                | 40  | 150 | 110 | 84 | 18 | 4-φ17.5     | 449   |
|             | 225M        | 100              | 180 | 225 | 1555 | 1400 | 940  |     | 230 | 440 | 400 | 4-M16X400 | 170 | 90  | 500 | 5                                    | 65  | 185 | 145 | 118 | 22 | 8-φ17.5                                | 40  | 150 | 110 | 84 | 18 | 4-φ17.5     | 518   |
| CZ65-40-315 | 112M        | 125              | 200 | 250 | 1165 | 1120 | 740  |     | 190 | 390 | 350 | 4-M12X220 | 125 | 90  | 500 | 5                                    | 65  | 185 | 145 | 118 | 22 | 8-φ17.5                                | 40  | 150 | 110 | 84 | 18 | 4-φ17.5     | 235   |
|             | 132S        | 125              | 200 | 250 | 1240 | 1120 | 740  |     | 190 | 390 | 350 | 4-M12X220 | 125 | 90  | 500 | 5                                    | 65  | 185 | 145 | 118 | 22 | 8-φ17.5                                | 40  | 150 | 110 | 84 | 18 | 4-φ17.5     | 260   |
|             | 160M        | 125              | 200 | 250 | 1365 | 1250 | 840  |     | 205 | 390 | 350 | 4-M12X220 | 125 | 90  | 500 | 5                                    | 65  | 185 | 145 | 118 | 22 | 8-φ17.5                                | 40  | 150 | 110 | 84 | 18 | 4-φ17.5     | 311   |
|             | 160L        | 125              | 200 | 250 | 1410 | 1250 | 840  |     | 205 | 390 | 350 | 4-M12X220 | 125 | 90  | 500 | 5                                    | 65  | 185 | 145 | 118 | 22 | 8-φ17.5                                | 40  | 150 | 110 | 84 | 18 | 4-φ17.5     | 333   |
|             | 180M        | 125              | 200 | 250 | 1435 | 1400 | 900  |     | 230 | 390 | 400 | 4-M16X400 | 140 | 100 | 500 | 5                                    | 65  | 185 | 145 | 118 | 22 | 8-φ17.5                                | 40  | 150 | 110 | 84 | 18 | 4-φ17.5     | 371   |
|             | 200L        | 125              | 200 | 250 | 1540 | 1400 | 900  |     | 230 | 440 | 400 | 4-M16X400 | 140 | 90  | 500 | 5                                    | 65  | 185 | 145 | 118 | 22 | 8-φ17.5                                | 40  | 150 | 110 | 84 | 18 | 4-φ17.5     | 473   |
|             | 225M        | 125              | 200 | 250 | 1580 | 1400 | 900  |     | 230 | 530 | 490 | 4-M16X400 | 170 | 90  | 500 | 5                                    | 65  | 185 | 145 | 118 | 22 | 8-φ17.5                                | 40  | 150 | 110 | 84 | 18 | 4-φ17.5     | 547   |
|             | 250M        | 125              | 200 | 250 | 1695 | 1600 | 1060 | 530 | 270 | 600 | 600 | 6-M16X400 | 190 | 90  | 500 | 5                                    | 65  | 185 | 145 | 118 | 22 | 8-φ17.5                                | 40  | 150 | 110 | 84 | 18 | 4-φ17.5     | 775   |
| CZ80-50-160 | 90S         | 100              | 160 | 180 | 935  | 900  | 600  |     | 150 | 390 | 350 | 4-M12X220 | 125 | 75  | 385 | 4                                    | 80  | 200 | 160 | 132 | 24 | 8-φ17.5                                | 50  | 165 | 125 | 99 | 20 | 4-φ17.5     | 137   |
|             | 90L         | 100              | 160 | 180 | 960  | 900  | 600  |     | 150 | 390 | 350 | 4-M12X220 | 125 | 75  | 385 | 4                                    | 80  | 200 | 160 | 132 | 24 | 8-φ17.5                                | 50  | 165 | 125 | 99 | 20 | 4-φ17.5     | 140   |
|             | 100L        | 100              | 160 | 180 | 1005 | 900  | 600  |     | 150 | 390 | 350 | 4-M12X220 | 125 | 75  | 385 | 4                                    | 80  | 200 | 160 | 132 | 24 | 8-φ17.5                                | 50  | 165 | 125 | 99 | 20 | 4-φ17.5     | 148   |
|             | 112M        | 100              | 160 | 180 | 1025 | 900  | 600  |     | 150 | 390 | 350 | 4-M12X220 | 125 | 75  | 385 | 4                                    | 80  | 200 | 160 | 132 | 24 | 8-φ17.5                                | 50  | 165 | 125 | 99 | 20 | 4-φ17.5     | 160   |
|             | 132S        | 100              | 160 | 180 | 1100 | 1000 | 660  |     | 170 | 390 | 350 | 4-M12X220 | 125 | 75  | 385 | 4                                    | 80  | 200 | 160 | 132 | 24 | 8-φ17.5                                | 50  | 165 | 125 | 99 | 20 | 4-φ17.5     | 193   |
|             | 160M        | 100              | 160 | 180 | 1225 | 1120 | 740  |     | 190 | 390 | 350 | 4-M12X220 | 125 | 75  | 385 | 4                                    | 80  | 200 | 160 | 132 | 24 | 8-φ17.5                                | 50  | 165 | 125 | 99 | 20 | 4-φ17.5     | 249   |
| CZ80-50-200 | 90S         | 100              | 160 | 200 | 935  | 900  | 600  |     | 150 | 390 | 350 | 4-M12X220 | 125 | 75  | 385 | 4                                    | 80  | 200 | 160 | 132 | 24 | 8-φ17.5                                | 50  | 165 | 125 | 99 | 20 | 4-φ17.5     | 143   |
|             | 90L         | 100              | 160 | 200 | 960  | 900  | 600  |     | 150 | 390 | 350 | 4-M12X220 | 125 | 75  | 385 | 4                                    | 80  | 200 | 160 | 132 | 24 | 8-φ17.5                                | 50  | 165 | 125 | 99 | 20 | 4-φ17.5     | 146   |
|             | 100L        | 100              | 160 | 200 | 1005 | 900  | 600  |     | 150 | 390 | 350 | 4-M12X220 | 125 | 75  | 385 | 4                                    | 80  | 200 | 160 | 132 | 24 | 8-φ17.5                                | 50  | 165 | 125 | 99 | 20 | 4-φ17.5     | 154   |
|             | 112M        | 100              | 160 | 200 | 1025 | 900  | 600  |     | 150 | 390 | 350 | 4-M12X220 | 125 | 75  | 385 | 4                                    | 80  | 200 | 160 | 132 | 24 | 8-φ17.5                                | 50  | 165 | 125 | 99 | 20 | 4-φ17.5     | 166   |
|             | 132S        | 100              | 160 | 200 | 1100 | 1000 | 660  |     | 170 | 390 | 350 | 4-M12X220 | 125 | 75  | 385 | 4                                    | 80  | 200 | 160 | 132 | 24 | 8-φ17.5                                | 50  | 165 | 125 | 99 | 20 | 4-φ17.5     | 199   |
|             | 160M        | 100              | 160 | 200 | 1225 | 1120 | 740  |     | 190 | 390 | 350 | 4-M12X220 | 125 | 75  | 385 | 4                                    | 80  | 200 | 160 | 132 | 24 | 8-φ17.5                                | 50  | 165 | 125 | 99 | 20 | 4-φ17.5     | 255   |
|             | 160L        | 100              | 160 | 200 | 1270 | 1120 | 740  |     | 190 | 390 | 350 | 4-M12X220 | 125 | 75  | 385 | 4                                    | 80  | 200 | 160 | 132 | 24 | 8-φ17.5                                | 50  | 165 | 125 | 99 | 20 | 4-φ17.5     | 277   |
|             | 180M        | 100              | 160 | 200 | 1295 | 1250 | 840  |     | 205 | 390 | 350 | 4-M16X400 | 155 | 75  | 385 | 4                                    | 80  | 200 | 160 | 132 | 24 | 8-φ17.5                                | 50  | 165 | 125 | 99 | 20 | 4-φ17.5     | 310   |
| CZ80-50-250 | 90S         | 125              | 180 | 225 | 1075 | 1000 | 660  |     | 170 | 390 | 350 | 4-M12X220 | 125 | 90  | 500 | 5                                    | 80  | 200 | 160 | 132 | 24 | 8-φ17.5                                | 50  | 165 | 125 | 99 | 20 | 4-φ17.5     | 197   |
|             | 90L         | 125              | 180 | 225 | 1100 | 1000 | 660  |     | 170 | 390 | 350 | 4-M12X220 | 125 | 90  | 500 | 5                                    | 80  | 200 | 160 | 132 | 24 | 8-φ17.5                                | 50  | 165 | 125 | 99 | 20 | 4-φ17.5     | 200   |
|             | 100L        | 125              | 180 | 225 | 1140 | 1120 | 740  |     | 190 | 390 | 350 | 4-M12X220 | 125 | 90  | 500 | 5                                    | 80  | 200 | 160 | 132 | 24 | 8-φ17.5                                | 50  | 165 | 125 | 99 | 20 | 4-φ17.5     | 208   |
|             | 112M        | 125              | 180 | 225 | 1165 | 1120 | 740  |     | 190 | 390 | 350 | 4-M12X220 | 125 | 90  | 500 | 5                                    | 80  | 200 | 160 | 132 | 24 | 8-φ17.5                                | 50  | 165 | 125 | 99 | 20 | 4-φ17.5     | 220   |

| 型号<br>Type   | 电机<br>Motor | 泵 座<br>Pump base |     |     |      |      |      |     |     |     |     |           |     |     |     | 吸入口法兰尺寸<br>Suction Flange Dimensions |     |     |     |     |    | 排出口法兰尺寸<br>Discharge Flange Dimensions |     |     |     |     |    | 重量<br>Weigh |       |
|--------------|-------------|------------------|-----|-----|------|------|------|-----|-----|-----|-----|-----------|-----|-----|-----|--------------------------------------|-----|-----|-----|-----|----|--|-----|-----|-----|-----|----|-------------|-------|
|              |             | a                | h   | h1  | L    | L1   | L2   | L3  | L4  | B   | B1  | n-Mdxl    | H   | i   | f   | c                                    | DN1 | D1  | D11 | d1  | b1 | n1-d1                                  | DN2 | D2  | D12 | d2  | b2 |             | n2-d2 |
| CZ80-50-250  | 132S        | 125              | 180 | 225 | 1245 | 1120 | 740  |     | 190 | 390 | 350 | 4-M12X220 | 125 | 90  | 500 | 5                                    | 80  | 200 | 160 | 132 | 24 | 8-φ17.5                                | 50  | 165 | 125 | 99  | 20 | 4-φ17.5     | 245   |
|              | 160M        | 125              | 180 | 225 | 1365 | 1250 | 840  |     | 205 | 390 | 350 | 4-M12X220 | 125 | 90  | 500 | 5                                    | 80  | 200 | 160 | 132 | 24 | 8-φ17.5                                | 50  | 165 | 125 | 99  | 20 | 4-φ17.5     | 290   |
|              | 160L        | 125              | 180 | 225 | 1410 | 1250 | 840  |     | 205 | 390 | 350 | 4-M12X220 | 125 | 90  | 500 | 5                                    | 80  | 200 | 160 | 132 | 24 | 8-φ17.5                                | 50  | 165 | 125 | 99  | 20 | 4-φ17.5     | 312   |
|              | 180M        | 125              | 180 | 225 | 1435 | 1400 | 940  |     | 230 | 390 | 350 | 4-M16X400 | 140 | 100 | 500 | 5                                    | 80  | 200 | 160 | 132 | 24 | 8-φ17.5                                | 50  | 165 | 125 | 99  | 20 | 4-φ17.5     | 345   |
|              | 200L        | 125              | 180 | 225 | 1540 | 1400 | 940  |     | 230 | 440 | 400 | 4-M16X400 | 170 | 90  | 500 | 5                                    | 80  | 200 | 160 | 132 | 24 | 8-φ17.5                                | 50  | 165 | 125 | 99  | 20 | 4-φ17.5     | 452   |
|              | 225M        | 125              | 180 | 225 | 1580 | 1400 | 940  |     | 230 | 440 | 400 | 4-M16X400 | 170 | 90  | 500 | 5                                    | 80  | 200 | 160 | 132 | 24 | 8-φ17.5                                | 50  | 165 | 125 | 99  | 20 | 4-φ17.5     | 521   |
| CZ80-50-315  | 132S        | 125              | 225 | 280 | 1245 | 1120 | 740  |     | 190 | 390 | 350 | 4-M12X220 | 125 | 90  | 500 | 5                                    | 80  | 200 | 160 | 132 | 24 | 8-φ17.5                                | 50  | 165 | 125 | 99  | 20 | 4-φ17.5     | 265   |
|              | 160M        | 125              | 225 | 280 | 1365 | 1250 | 840  |     | 205 | 390 | 350 | 4-M12X220 | 125 | 90  | 500 | 5                                    | 80  | 200 | 160 | 132 | 24 | 8-φ17.5                                | 50  | 165 | 125 | 99  | 20 | 4-φ17.5     | 320   |
|              | 160L        | 125              | 225 | 280 | 1410 | 1250 | 840  |     | 205 | 390 | 350 | 4-M12X220 | 125 | 90  | 500 | 5                                    | 80  | 200 | 160 | 132 | 24 | 8-φ17.5                                | 50  | 165 | 125 | 99  | 20 | 4-φ17.5     | 342   |
|              | 180M        | 125              | 225 | 280 | 1435 | 1400 | 940  |     | 230 | 390 | 350 | 4-M16X400 | 140 | 100 | 500 | 5                                    | 80  | 200 | 160 | 132 | 24 | 8-φ17.5                                | 50  | 165 | 125 | 99  | 20 | 4-φ17.5     | 375   |
|              | 200L        | 125              | 225 | 280 | 1540 | 1400 | 940  |     | 230 | 440 | 400 | 4-M16X400 | 170 | 90  | 500 | 5                                    | 80  | 200 | 160 | 132 | 24 | 8-φ17.5                                | 50  | 165 | 125 | 99  | 20 | 4-φ17.5     | 489   |
|              | 225M        | 125              | 225 | 280 | 1580 | 1400 | 940  |     | 230 | 530 | 490 | 4-M16X400 | 170 | 90  | 500 | 5                                    | 80  | 200 | 160 | 132 | 24 | 8-φ17.5                                | 50  | 165 | 125 | 99  | 20 | 4-φ17.5     | 547   |
|              | 250M        | 125              | 225 | 280 | 1690 | 1600 | 1060 | 530 | 270 | 600 | 550 | 6-M16X400 | 190 | 90  | 500 | 5                                    | 80  | 200 | 160 | 132 | 24 | 8-φ17.5                                | 50  | 165 | 125 | 99  | 20 | 4-φ17.5     | 779   |
|              | 280S        | 125              | 225 | 280 | 1765 | 1600 | 1060 | 530 | 270 | 650 | 600 | 6-M16X400 | 320 | 90  | 500 | 5                                    | 80  | 200 | 160 | 132 | 24 | 8-φ17.5                                | 50  | 165 | 125 | 99  | 20 | 4-φ17.5     | 880   |
|              | 280M        | 125              | 225 | 280 | 1815 | 1600 | 1060 | 530 | 270 | 650 | 600 | 6-M16X400 | 320 | 90  | 500 | 5                                    | 80  | 200 | 160 | 132 | 24 | 8-φ17.5                                | 50  | 165 | 125 | 99  | 20 | 4-φ17.5     | 956   |
| CZ100-65-160 | 90S         | 100              | 160 | 200 | 1050 | 1000 | 660  |     | 170 | 390 | 350 | 4-M12X220 | 125 | 90  | 500 | 5                                    | 100 | 235 | 190 | 156 | 24 | 8-φ22                                  | 65  | 185 | 145 | 118 | 22 | 8-φ17.5     | 182   |
|              | 90L         | 100              | 160 | 200 | 1070 | 1000 | 660  |     | 170 | 390 | 350 | 4-M12X220 | 125 | 90  | 500 | 5                                    | 100 | 235 | 190 | 156 | 24 | 8-φ22                                  | 65  | 185 | 145 | 118 | 22 | 8-φ17.5     | 185   |
|              | 100L        | 100              | 160 | 200 | 1120 | 1120 | 740  |     | 190 | 390 | 350 | 4-M12X220 | 125 | 90  | 500 | 5                                    | 100 | 235 | 190 | 156 | 24 | 8-φ22                                  | 65  | 185 | 145 | 118 | 22 | 8-φ17.5     | 183   |
|              | 112M        | 100              | 160 | 200 | 1140 | 1120 | 740  |     | 190 | 390 | 350 | 4-M12X220 | 125 | 90  | 500 | 5                                    | 100 | 235 | 190 | 156 | 24 | 8-φ22                                  | 65  | 185 | 145 | 118 | 22 | 8-φ17.5     | 195   |
|              | 132S        | 100              | 160 | 200 | 1215 | 1120 | 740  |     | 190 | 390 | 350 | 4-M12X220 | 125 | 90  | 500 | 5                                    | 100 | 235 | 190 | 156 | 24 | 8-φ22                                  | 65  | 185 | 145 | 118 | 22 | 8-φ17.5     | 220   |
|              | 160M        | 100              | 160 | 200 | 1340 | 1250 | 840  |     | 205 | 390 | 350 | 4-M12X220 | 125 | 90  | 500 | 5                                    | 100 | 235 | 190 | 156 | 24 | 8-φ22                                  | 65  | 185 | 145 | 118 | 22 | 8-φ17.5     | 275   |
|              | 160L        | 100              | 160 | 200 | 1385 | 1250 | 840  |     | 205 | 390 | 350 | 4-M12X220 | 125 | 90  | 500 | 5                                    | 100 | 235 | 190 | 156 | 24 | 8-φ22                                  | 65  | 185 | 145 | 118 | 22 | 8-φ17.5     | 295   |
|              | 180M        | 100              | 160 | 200 | 1410 | 1400 | 940  |     | 230 | 390 | 350 | 4-M16X400 | 170 | 100 | 500 | 5                                    | 100 | 235 | 190 | 156 | 24 | 8-φ22                                  | 65  | 185 | 145 | 118 | 22 | 8-φ17.5     | 330   |
| CZ100-65-200 | 90S         | 100              | 180 | 225 | 1050 | 1000 | 660  |     | 170 | 390 | 350 | 4-M12X220 | 125 | 90  | 500 | 5                                    | 100 | 235 | 190 | 156 | 24 | 8-φ22                                  | 65  | 185 | 145 | 118 | 22 | 8-φ17.5     | 194   |
|              | 90L         | 100              | 180 | 225 | 1070 | 1000 | 660  |     | 170 | 390 | 350 | 4-M12X220 | 125 | 90  | 500 | 5                                    | 100 | 235 | 190 | 156 | 24 | 8-φ22                                  | 65  | 185 | 145 | 118 | 22 | 8-φ17.5     | 197   |
|              | 100L        | 100              | 180 | 225 | 1120 | 1120 | 740  |     | 190 | 390 | 350 | 4-M12X220 | 125 | 90  | 500 | 5                                    | 100 | 235 | 190 | 156 | 24 | 8-φ22                                  | 65  | 185 | 145 | 118 | 22 | 8-φ17.5     | 205   |
|              | 112M        | 100              | 180 | 225 | 1140 | 1120 | 740  |     | 190 | 390 | 350 | 4-M12X220 | 125 | 90  | 500 | 5                                    | 100 | 235 | 190 | 156 | 24 | 8-φ22                                  | 65  | 185 | 145 | 118 | 22 | 8-φ17.5     | 217   |
|              | 132S        | 100              | 180 | 225 | 1215 | 1120 | 740  |     | 190 | 390 | 350 | 4-M12X220 | 125 | 90  | 500 | 5                                    | 100 | 235 | 190 | 156 | 24 | 8-φ22                                  | 65  | 185 | 145 | 118 | 22 | 8-φ17.5     | 242   |
|              | 160M        | 100              | 180 | 225 | 1340 | 1250 | 840  |     | 205 | 390 | 350 | 4-M12X220 | 125 | 90  | 500 | 5                                    | 100 | 235 | 190 | 156 | 24 | 8-φ22                                  | 65  | 185 | 145 | 118 | 22 | 8-φ17.5     | 287   |
|              | 160L        | 100              | 180 | 225 | 1385 | 1250 | 840  |     | 205 | 390 | 350 | 4-M12X220 | 125 | 90  | 500 | 5                                    | 100 | 235 | 190 | 156 | 24 | 8-φ22                                  | 65  | 185 | 145 | 118 | 22 | 8-φ17.5     | 309   |
|              | 180M        | 100              | 180 | 225 | 1410 | 1400 | 940  |     | 230 | 390 | 350 | 4-M16X400 | 140 | 100 | 500 | 5                                    | 100 | 235 | 190 | 156 | 24 | 8-φ22                                  | 65  | 185 | 145 | 118 | 22 | 8-φ17.5     | 342   |
|              | 200L        | 100              | 180 | 225 | 1515 | 1400 | 940  |     | 230 | 440 | 400 | 4-M16X400 | 170 | 90  | 500 | 5                                    | 100 | 235 | 190 | 156 | 24 | 8-φ22                                  | 65  | 185 | 145 | 118 | 22 | 8-φ17.5     | 449   |
| CZ100-65-250 | 112M        | 125              | 200 | 250 | 1165 | 1120 | 740  |     | 190 | 390 | 350 | 4-M12X220 | 135 | 105 | 500 | 5                                    | 100 | 235 | 190 | 156 | 24 | 8-φ22                                  | 65  | 185 | 145 | 118 | 22 | 8-φ17.5     | 219   |
|              | 132S        | 125              | 200 | 250 | 1245 | 1120 | 740  |     | 190 | 390 | 350 | 4-M12X220 | 135 | 105 | 500 | 5                                    | 100 | 235 | 190 | 156 | 24 | 8-φ22                                  | 65  | 185 | 145 | 118 | 22 | 8-φ17.5     | 244   |
|              | 160M        | 125              | 200 | 250 | 1365 | 1250 | 840  |     | 205 | 390 | 350 | 4-M12X220 | 135 | 105 | 500 | 5                                    | 100 | 235 | 190 | 156 | 24 | 8-φ22                                  | 65  | 185 | 145 | 118 | 22 | 8-φ17.5     | 299   |
|              | 160L        | 125              | 200 | 250 | 1410 | 1250 | 840  |     | 205 | 390 | 350 | 4-M12X220 | 135 | 105 | 500 | 5                                    | 100 | 235 | 190 | 156 | 24 | 8-φ22                                  | 65  | 185 | 145 | 118 | 22 | 8-φ17.5     | 321   |
|              | 180M        | 125              | 200 | 250 | 1435 | 1400 | 940  |     | 230 | 390 | 350 | 4-M16X400 | 140 | 105 | 500 | 5                                    | 100 | 235 | 190 | 156 | 24 | 8-φ22                                  | 65  | 185 | 145 | 118 | 22 | 8-φ17.5     | 354   |
|              | 200L        | 125              | 200 | 250 | 1540 | 1400 | 940  |     | 230 | 440 | 400 | 4-M16X400 | 140 | 105 | 500 | 5                                    | 100 | 235 | 190 | 156 | 24 | 8-φ22                                  | 65  | 185 | 145 | 118 | 22 | 8-φ17.5     | 461   |
|              | 225M        | 125              | 200 | 250 | 1580 | 1400 | 940  |     | 230 | 530 | 490 | 4-M16X400 | 170 | 105 | 500 | 5                                    | 100 | 235 | 190 | 156 | 24 | 8-φ22                                  | 65  | 185 | 145 | 118 | 22 | 8-φ17.5     | 530   |
|              | 250M        | 125              | 200 | 250 | 1695 | 1600 | 1060 | 530 | 270 | 600 | 550 | 6-M16X400 | 230 | 105 | 500 | 5                                    | 100 | 235 | 190 | 156 | 24 | 8-φ22                                  | 65  | 185 | 145 | 118 | 22 | 8-φ17.5     | 761   |

| 型号<br>Type   | 电机<br>Motor | 泵 座<br>Pump base |     |     |      |      |      |     |     |     |     |           |     |     |     | 吸入口法兰尺寸<br>Suction Flange Dimensions |     |     |     |     |    | 排出口法兰尺寸<br>Discharge Flange Dimensions |     |     |     |     |    | 重量<br>Weigh |       |
|--------------|-------------|------------------|-----|-----|------|------|------|-----|-----|-----|-----|-----------|-----|-----|-----|--------------------------------------|-----|-----|-----|-----|----|--|-----|-----|-----|-----|----|-------------|-------|
|              |             | a                | h   | h1  | L    | L1   | L2   | L3  | L4  | B   | B1  | n-Mdxl    | H   | i   | f   | c                                    | DN1 | D1  | D11 | d1  | b1 | n1-d1                                  | DN2 | D2  | D12 | d2  | b2 |             | n2-d2 |
| CZ100-65-315 | 132S        | 125              | 225 | 280 | 1270 | 1250 | 840  |     | 205 | 440 | 400 | 4-M12X220 | 125 | 105 | 530 | 5                                    | 100 | 235 | 190 | 156 | 24 | 8-φ22                                  | 65  | 185 | 145 | 118 | 22 | 8-φ17.5     | 282   |
|              | 160M        | 125              | 225 | 280 | 1395 | 1400 | 940  |     | 230 | 440 | 400 | 4-M16X400 | 140 | 105 | 530 | 5                                    | 100 | 235 | 190 | 156 | 24 | 8-φ22                                  | 65  | 185 | 145 | 118 | 22 | 8-φ17.5     | 406   |
|              | 160L        | 125              | 225 | 280 | 1440 | 1400 | 940  |     | 230 | 440 | 400 | 4-M16X400 | 140 | 105 | 530 | 5                                    | 100 | 235 | 190 | 156 | 24 | 8-φ22                                  | 65  | 185 | 145 | 118 | 22 | 8-φ17.5     | 428   |
|              | 180M        | 125              | 225 | 280 | 1465 | 1400 | 940  |     | 230 | 440 | 400 | 4-M16X400 | 140 | 105 | 530 | 5                                    | 100 | 235 | 190 | 156 | 24 | 8-φ22                                  | 65  | 185 | 145 | 118 | 22 | 8-φ17.5     | 461   |
|              | 200L        | 125              | 225 | 280 | 1570 | 1400 | 940  |     | 230 | 440 | 400 | 4-M16X400 | 170 | 105 | 530 | 5                                    | 100 | 235 | 190 | 156 | 24 | 8-φ22                                  | 65  | 185 | 145 | 118 | 22 | 8-φ17.5     | 521   |
|              | 225M        | 125              | 225 | 280 | 1610 | 1600 | 1060 | 530 | 270 | 530 | 490 | 6-M16X400 | 170 | 105 | 530 | 5                                    | 100 | 235 | 190 | 156 | 24 | 8-φ22                                  | 65  | 185 | 145 | 118 | 22 | 8-φ17.5     | 617   |
|              | 250M        | 125              | 225 | 280 | 1725 | 1600 | 1060 | 530 | 270 | 600 | 550 | 6-M16X400 | 190 | 105 | 530 | 5                                    | 100 | 235 | 190 | 156 | 24 | 8-φ22                                  | 65  | 185 | 145 | 118 | 22 | 8-φ17.5     | 813   |
|              | 280S        | 125              | 225 | 280 | 1795 | 1600 | 1060 | 530 | 270 | 650 | 600 | 6-M16X400 | 230 | 105 | 530 | 5                                    | 100 | 235 | 190 | 156 | 24 | 8-φ22                                  | 65  | 185 | 145 | 118 | 22 | 8-φ17.5     | 913   |
|              | 280M        | 125              | 225 | 280 | 1845 | 1600 | 1060 | 530 | 270 | 650 | 600 | 6-M16X400 | 230 | 105 | 530 | 5                                    | 100 | 235 | 190 | 156 | 24 | 8-φ22                                  | 65  | 185 | 145 | 118 | 22 | 8-φ17.5     | 989   |
|              | 315S        | 125              | 225 | 280 | 1985 | 1800 | 1200 | 600 | 300 | 720 | 670 | 6-M16X400 | 250 | 195 | 530 | 5                                    | 100 | 235 | 190 | 156 | 24 | 8-φ22                                  | 65  | 185 | 145 | 118 | 22 | 8-φ17.5     | 1538  |
|              | 315M        | 125              | 225 | 280 | 2035 | 1800 | 1200 | 600 | 300 | 720 | 670 | 6-M16X400 | 250 | 195 | 530 | 5                                    | 100 | 235 | 190 | 156 | 24 | 8-φ22                                  | 65  | 185 | 145 | 118 | 22 | 8-φ17.5     | 1718  |
| CZ125-80-160 | 90S         | 125              | 180 | 225 | 1075 | 1000 | 660  |     | 170 | 390 | 350 | 4-M12X220 | 125 | 90  | 500 | 5                                    | 125 | 270 | 220 | 184 | 26 | 8-φ26                                  | 80  | 200 | 160 | 132 | 24 | 8-φ17.5     | 191   |
|              | 90L         | 125              | 180 | 225 | 1100 | 1000 | 660  |     | 170 | 390 | 350 | 4-M12X220 | 125 | 90  | 500 | 5                                    | 125 | 270 | 220 | 184 | 26 | 8-φ26                                  | 80  | 200 | 160 | 132 | 24 | 8-φ17.5     | 194   |
|              | 100L        | 125              | 180 | 225 | 1140 | 1120 | 740  |     | 190 | 390 | 350 | 4-M12X220 | 125 | 90  | 500 | 5                                    | 125 | 270 | 220 | 184 | 26 | 8-φ26                                  | 80  | 200 | 160 | 132 | 24 | 8-φ17.5     | 192   |
|              | 112M        | 125              | 180 | 225 | 1165 | 1120 | 740  |     | 190 | 390 | 350 | 4-M12X220 | 125 | 90  | 500 | 5                                    | 125 | 270 | 220 | 184 | 26 | 8-φ26                                  | 80  | 200 | 160 | 132 | 24 | 8-φ17.5     | 204   |
|              | 132S        | 125              | 180 | 225 | 1245 | 1120 | 740  |     | 190 | 390 | 350 | 4-M12X220 | 125 | 90  | 500 | 5                                    | 125 | 270 | 220 | 184 | 26 | 8-φ26                                  | 80  | 200 | 160 | 132 | 24 | 8-φ17.5     | 229   |
|              | 160M        | 125              | 180 | 225 | 1365 | 1250 | 840  |     | 205 | 390 | 350 | 4-M12X220 | 125 | 90  | 500 | 5                                    | 125 | 270 | 220 | 184 | 26 | 8-φ26                                  | 80  | 200 | 160 | 132 | 24 | 8-φ17.5     | 284   |
|              | 160L        | 125              | 180 | 225 | 1410 | 1250 | 840  |     | 205 | 390 | 350 | 4-M12X220 | 125 | 90  | 500 | 5                                    | 125 | 270 | 220 | 184 | 26 | 8-φ26                                  | 80  | 200 | 160 | 132 | 24 | 8-φ17.5     | 306   |
|              | 180M        | 125              | 180 | 225 | 1435 | 1400 | 940  |     | 230 | 390 | 350 | 4-M16X400 | 140 | 100 | 500 | 5                                    | 125 | 270 | 220 | 184 | 26 | 8-φ26                                  | 80  | 200 | 160 | 132 | 24 | 8-φ17.5     | 339   |
|              | 200L        | 125              | 180 | 225 | 1540 | 1400 | 940  |     | 230 | 440 | 400 | 4-M16X400 | 170 | 90  | 500 | 5                                    | 125 | 270 | 220 | 184 | 26 | 8-φ26                                  | 80  | 200 | 160 | 132 | 24 | 8-φ17.5     | 446   |
| CZ125-80-200 | 90S         | 125              | 180 | 225 | 1075 | 1000 | 660  |     | 170 | 390 | 350 | 4-M12X220 | 125 | 90  | 500 | 5                                    | 125 | 270 | 220 | 184 | 26 | 8-φ26                                  | 80  | 200 | 160 | 132 | 24 | 8-φ17.5     | 197   |
|              | 90L         | 125              | 180 | 225 | 1100 | 1000 | 660  |     | 170 | 390 | 350 | 4-M12X220 | 125 | 90  | 500 | 5                                    | 125 | 270 | 220 | 184 | 26 | 8-φ26                                  | 80  | 200 | 160 | 132 | 24 | 8-φ17.5     | 200   |
|              | 100L        | 125              | 180 | 225 | 1140 | 1120 | 740  |     | 190 | 390 | 350 | 4-M12X220 | 125 | 90  | 500 | 5                                    | 125 | 270 | 220 | 184 | 26 | 8-φ26                                  | 80  | 200 | 160 | 132 | 24 | 8-φ17.5     | 208   |
|              | 112M        | 125              | 180 | 225 | 1165 | 1120 | 740  |     | 190 | 390 | 350 | 4-M12X220 | 125 | 90  | 500 | 5                                    | 125 | 270 | 220 | 184 | 26 | 8-φ26                                  | 80  | 200 | 160 | 132 | 24 | 8-φ17.5     | 220   |
|              | 132S        | 125              | 180 | 225 | 1245 | 1120 | 740  |     | 190 | 390 | 350 | 4-M12X220 | 125 | 90  | 500 | 5                                    | 125 | 270 | 220 | 184 | 26 | 8-φ26                                  | 80  | 200 | 160 | 132 | 24 | 8-φ17.5     | 245   |
|              | 160M        | 125              | 180 | 225 | 1365 | 1250 | 840  |     | 205 | 390 | 350 | 4-M12X220 | 125 | 90  | 500 | 5                                    | 125 | 270 | 220 | 184 | 26 | 8-φ26                                  | 80  | 200 | 160 | 132 | 24 | 8-φ17.5     | 290   |
|              | 160L        | 125              | 180 | 225 | 1410 | 1250 | 840  |     | 205 | 390 | 350 | 4-M12X220 | 125 | 90  | 500 | 5                                    | 125 | 270 | 220 | 184 | 26 | 8-φ26                                  | 80  | 200 | 160 | 132 | 24 | 8-φ17.5     | 312   |
|              | 180M        | 125              | 180 | 225 | 1435 | 1400 | 940  |     | 230 | 390 | 350 | 4-M16X400 | 140 | 100 | 500 | 5                                    | 125 | 270 | 220 | 184 | 26 | 8-φ26                                  | 80  | 200 | 160 | 132 | 24 | 8-φ17.5     | 345   |
|              | 200L        | 125              | 180 | 225 | 1540 | 1400 | 940  |     | 230 | 440 | 400 | 4-M16X400 | 170 | 90  | 500 | 5                                    | 125 | 270 | 220 | 184 | 26 | 8-φ26                                  | 80  | 200 | 160 | 132 | 24 | 8-φ17.5     | 452   |
|              | 225M        | 125              | 180 | 225 | 1580 | 1400 | 940  |     | 230 | 440 | 400 | 4-M16X400 | 170 | 90  | 500 | 5                                    | 125 | 270 | 220 | 184 | 26 | 8-φ26                                  | 80  | 200 | 160 | 132 | 24 | 8-φ17.5     | 521   |
| CZ125-80-250 | 132S        | 125              | 225 | 280 | 1240 | 1120 | 740  |     | 190 | 440 | 400 | 4-M12X220 | 125 | 105 | 500 | 5                                    | 125 | 270 | 220 | 184 | 26 | 8-φ26                                  | 80  | 200 | 160 | 132 | 24 | 8-φ17.5     | 256   |
|              | 160M        | 125              | 225 | 280 | 1365 | 1250 | 840  |     | 205 | 440 | 400 | 4-M12X220 | 125 | 105 | 500 | 5                                    | 125 | 270 | 220 | 184 | 26 | 8-φ26                                  | 80  | 200 | 160 | 132 | 24 | 8-φ17.5     | 314   |
|              | 160L        | 125              | 225 | 280 | 1410 | 1250 | 840  |     | 205 | 440 | 400 | 4-M12X220 | 125 | 105 | 500 | 5                                    | 125 | 270 | 220 | 184 | 26 | 8-φ26                                  | 80  | 200 | 160 | 132 | 24 | 8-φ17.5     | 335   |
|              | 180M        | 125              | 225 | 280 | 1435 | 1400 | 940  |     | 230 | 440 | 400 | 4-M16X400 | 140 | 105 | 500 | 5                                    | 125 | 270 | 220 | 184 | 26 | 8-φ26                                  | 80  | 200 | 160 | 132 | 24 | 8-φ17.5     | 412   |
|              | 200L        | 125              | 225 | 280 | 1540 | 1400 | 940  |     | 230 | 440 | 400 | 4-M16X400 | 170 | 105 | 500 | 5                                    | 125 | 270 | 220 | 184 | 26 | 8-φ26                                  | 80  | 200 | 160 | 132 | 24 | 8-φ17.5     | 472   |
|              | 225M        | 125              | 225 | 280 | 1580 | 1400 | 940  |     | 230 | 530 | 490 | 4-M16X400 | 170 | 105 | 500 | 5                                    | 125 | 270 | 220 | 184 | 26 | 8-φ26                                  | 80  | 200 | 160 | 132 | 24 | 8-φ17.5     | 534   |
|              | 250M        | 125              | 225 | 280 | 1695 | 1600 | 1060 | 530 | 270 | 600 | 550 | 6-M16X400 | 190 | 105 | 500 | 5                                    | 125 | 270 | 220 | 184 | 26 | 8-φ26                                  | 80  | 200 | 160 | 132 | 24 | 8-φ17.5     | 765   |
|              | 280S        | 125              | 225 | 280 | 1765 | 1600 | 1060 | 530 | 270 | 650 | 600 | 6-M16X400 | 230 | 105 | 500 | 5                                    | 125 | 270 | 220 | 184 | 26 | 8-φ26                                  | 80  | 200 | 160 | 132 | 24 | 8-φ17.5     | 867   |
|              | 280M        | 125              | 225 | 280 | 1815 | 1600 | 1060 | 530 | 270 | 650 | 600 | 6-M16X400 | 230 | 105 | 500 | 5                                    | 125 | 270 | 220 | 184 | 26 | 8-φ26                                  | 80  | 200 | 160 | 132 | 24 | 8-φ17.5     | 943   |
| CZ125-80-315 | 132S        | 125              | 250 | 315 | 1270 | 1250 | 840  |     | 205 | 440 | 400 | 4-M12X220 | 125 | 105 | 530 | 5                                    | 125 | 270 | 220 | 184 | 26 | 8-φ26                                  | 80  | 200 | 160 | 132 | 24 | 8-φ17.5     | 340   |
|              | 160M        | 125              | 250 | 315 | 1395 | 1400 | 940  |     | 230 | 440 | 400 | 4-M16X400 | 140 | 105 | 530 | 5                                    | 125 | 270 | 220 | 184 | 26 | 8-φ26                                  | 80  | 200 | 160 | 132 | 24 | 8-φ17.5     | 409   |
|              | 160L        | 125              | 250 | 315 | 1440 | 1400 | 940  |     | 230 | 440 | 400 | 4-M16X400 | 140 | 105 | 530 | 5                                    | 125 | 270 | 220 | 184 | 26 | 8-φ26                                  | 80  | 200 | 160 | 132 | 24 | 8-φ17.5     | 431   |
|              | 180M        | 125              | 250 | 315 | 1465 | 1400 | 940  |     | 230 | 440 | 400 | 4-M16X400 | 140 | 105 | 530 | 5                                    | 125 | 270 | 220 | 184 | 26 | 8-φ26                                  | 80  | 200 | 160 | 132 | 24 | 8-φ17.5     | 464   |

| 型号<br>Type    | 电机<br>Motor | 泵 座<br>Pump base |     |      |      |      |      |     |     |     |           |           |     |     |     | 吸入口法兰尺寸<br>Suction Flange Dimensions |     |     |     |     |       | 排出口法兰尺寸<br>Discharge Flange Dimensions |     |     |     |     |       | 重量<br>Weigh |       |
|---------------|-------------|------------------|-----|------|------|------|------|-----|-----|-----|-----------|-----------|-----|-----|-----|--------------------------------------|-----|-----|-----|-----|-------|--|-----|-----|-----|-----|-------|-------------|-------|
|               |             | a                | h   | h1   | L    | L1   | L2   | L3  | L4  | B   | B1        | n-Mdxl    | H   | i   | f   | c                                    | DN1 | D1  | D11 | d1  | b1    | n1-d1                                  | DN2 | D2  | D12 | d2  | b2    |             | n2-d2 |
| CZ125-80-315  | 200L        | 125              | 250 | 315  | 1570 | 1400 | 940  |     | 230 | 440 | 400       | 4-M16X400 | 170 | 105 | 530 | 5                                    | 125 | 270 | 220 | 184 | 26    | 8-φ26                                  | 80  | 200 | 160 | 132 | 24    | 8-φ17.5     | 524   |
|               | 225M        | 125              | 250 | 315  | 1610 | 1600 | 1060 | 530 | 270 | 530 | 490       | 6-M16X400 | 170 | 105 | 530 | 5                                    | 125 | 270 | 220 | 184 | 26    | 8-φ26                                  | 80  | 200 | 160 | 132 | 24    | 8-φ17.5     | 629   |
|               | 250M        | 125              | 250 | 315  | 1725 | 1600 | 1060 | 530 | 270 | 600 | 550       | 6-M16X400 | 190 | 105 | 530 | 5                                    | 125 | 270 | 220 | 184 | 26    | 8-φ26                                  | 80  | 200 | 160 | 132 | 24    | 8-φ17.5     | 814   |
|               | 280S        | 125              | 250 | 315  | 1795 | 1600 | 1060 | 530 | 270 | 650 | 600       | 6-M16X400 | 230 | 105 | 530 | 5                                    | 125 | 270 | 220 | 184 | 26    | 8-φ26                                  | 80  | 200 | 160 | 132 | 24    | 8-φ17.5     | 926   |
|               | 280M        | 125              | 250 | 315  | 1845 | 1600 | 1060 | 530 | 270 | 650 | 600       | 6-M16X400 | 230 | 105 | 530 | 5                                    | 125 | 270 | 220 | 184 | 26    | 8-φ26                                  | 80  | 200 | 160 | 132 | 24    | 8-φ17.5     | 1002  |
|               | 315S        | 125              | 250 | 315  | 1985 | 1800 | 1200 | 600 | 300 | 720 | 670       | 6-M16X400 | 230 | 195 | 530 | 5                                    | 125 | 270 | 220 | 184 | 26    | 8-φ26                                  | 80  | 200 | 160 | 132 | 24    | 8-φ17.5     | 1534  |
|               | 315M        | 125              | 250 | 315  | 2035 | 1800 | 1200 | 600 | 300 | 720 | 670       | 6-M16X400 | 230 | 195 | 530 | 5                                    | 125 | 270 | 220 | 184 | 26    | 8-φ26                                  | 80  | 200 | 160 | 132 | 24    | 8-φ17.5     | 1714  |
| CZ125-80-400  | 132S        | 125              | 250 | 355  | 1270 | 1400 | 940  |     | 230 | 530 | 490       | 4-M16X400 | 140 | 105 | 530 | 5                                    | 125 | 270 | 220 | 184 | 26    | 8-φ26                                  | 80  | 200 | 160 | 132 | 24    | 8-φ17.5     | 454   |
|               | 160M        | 125              | 250 | 355  | 1395 | 1400 | 940  |     | 230 | 530 | 490       | 4-M16X400 | 140 | 105 | 530 | 5                                    | 125 | 270 | 220 | 184 | 26    | 8-φ26                                  | 80  | 200 | 160 | 132 | 24    | 8-φ17.5     | 489   |
|               | 160L        | 125              | 250 | 355  | 1440 | 1400 | 940  |     | 230 | 530 | 490       | 4-M16X400 | 140 | 105 | 530 | 5                                    | 125 | 270 | 220 | 184 | 26    | 8-φ26                                  | 80  | 200 | 160 | 132 | 24    | 8-φ17.5     | 510   |
|               | 180M        | 125              | 250 | 355  | 1465 | 1400 | 940  |     | 230 | 530 | 490       | 4-M16X400 | 140 | 105 | 530 | 5                                    | 125 | 270 | 220 | 184 | 26    | 8-φ26                                  | 80  | 200 | 160 | 132 | 24    | 8-φ17.5     | 546   |
|               | 200L        | 125              | 250 | 355  | 1570 | 1400 | 940  |     | 230 | 530 | 490       | 4-M16X400 | 140 | 105 | 530 | 5                                    | 125 | 270 | 220 | 184 | 26    | 8-φ26                                  | 80  | 200 | 160 | 132 | 24    | 8-φ17.5     | 629   |
|               | 225S        | 125              | 250 | 355  | 1615 | 1600 | 1060 | 530 | 270 | 530 | 490       | 6-M16X400 | 170 | 105 | 530 | 5                                    | 125 | 270 | 220 | 184 | 26    | 8-φ26                                  | 80  | 200 | 160 | 132 | 24    | 8-φ17.5     | 657   |
| CZ125-100-200 | 132S        | 125              | 200 | 280  | 1240 | 1120 | 740  |     | 190 | 390 | 350       | 4-M12X220 | 125 | 105 | 500 | 5                                    | 125 | 270 | 220 | 184 | 26    | 8-φ26                                  | 100 | 235 | 190 | 156 | 24    | 8-φ22       | 245   |
|               | 160M        | 125              | 200 | 280  | 1365 | 1250 | 840  |     | 205 | 390 | 350       | 4-M12X220 | 125 | 105 | 500 | 5                                    | 125 | 270 | 220 | 184 | 26    | 8-φ26                                  | 100 | 235 | 190 | 156 | 24    | 8-φ22       | 297   |
|               | 160L        | 125              | 200 | 280  | 1410 | 1250 | 840  |     | 205 | 390 | 350       | 4-M12X220 | 125 | 105 | 500 | 5                                    | 125 | 270 | 220 | 184 | 26    | 8-φ26                                  | 100 | 235 | 190 | 156 | 24    | 8-φ22       | 318   |
|               | 180M        | 125              | 200 | 280  | 1435 | 1400 | 940  |     | 230 | 390 | 350       | 4-M16X400 | 140 | 105 | 500 | 5                                    | 125 | 270 | 220 | 184 | 26    | 8-φ26                                  | 100 | 235 | 190 | 156 | 24    | 8-φ22       | 422   |
|               | 200L        | 125              | 200 | 280  | 1540 | 1400 | 940  |     | 230 | 440 | 400       | 4-M16X400 | 140 | 105 | 500 | 5                                    | 125 | 270 | 220 | 184 | 26    | 8-φ26                                  | 100 | 235 | 190 | 156 | 24    | 8-φ22       | 476   |
|               | 225M        | 125              | 200 | 280  | 1580 | 1400 | 940  |     | 230 | 530 | 490       | 4-M16X400 | 170 | 105 | 500 | 5                                    | 125 | 270 | 220 | 184 | 26    | 8-φ26                                  | 100 | 235 | 190 | 156 | 24    | 8-φ22       | 535   |
|               | 250M        | 125              | 200 | 280  | 1695 | 1600 | 1060 | 530 | 270 | 600 | 550       | 6-M16X400 | 230 | 105 | 500 | 5                                    | 125 | 270 | 220 | 184 | 26    | 8-φ26                                  | 100 | 235 | 190 | 156 | 24    | 8-φ22       | 767   |
|               | 280S        | 125              | 200 | 280  | 1765 | 1600 | 1060 | 530 | 270 | 650 | 600       | 6-M16X400 | 250 | 105 | 500 | 5                                    | 125 | 270 | 220 | 184 | 26    | 8-φ26                                  | 100 | 235 | 190 | 156 | 24    | 8-φ22       | 869   |
| 280M          | 125         | 200              | 280 | 1815 | 1600 | 1060 | 530  | 270 | 650 | 600 | 6-M16X400 | 250       | 105 | 500 | 5   | 125                                  | 270 | 220 | 184 | 26  | 8-φ26 | 100                                    | 235 | 190 | 156 | 24  | 8-φ22 | 945         |       |
| CZ125-100-250 | 132S        | 140              | 225 | 280  | 1285 | 1250 | 840  |     | 205 | 440 | 400       | 4-M12X220 | 125 | 105 | 530 | 5                                    | 125 | 270 | 220 | 184 | 26    | 8-φ26                                  | 100 | 235 | 190 | 156 | 24    | 8-φ22       | 303   |
|               | 160M        | 140              | 225 | 280  | 1410 | 1400 | 940  |     | 230 | 440 | 400       | 4-M16X400 | 140 | 105 | 530 | 5                                    | 125 | 270 | 220 | 184 | 26    | 8-φ26                                  | 100 | 235 | 190 | 156 | 24    | 8-φ22       | 388   |
|               | 160L        | 140              | 225 | 280  | 1455 | 1400 | 940  |     | 230 | 440 | 400       | 4-M16X400 | 140 | 105 | 530 | 5                                    | 125 | 270 | 220 | 184 | 26    | 8-φ26                                  | 100 | 235 | 190 | 156 | 24    | 8-φ22       | 409   |
|               | 180M        | 140              | 225 | 280  | 1480 | 1400 | 940  |     | 230 | 440 | 400       | 4-M16X400 | 140 | 105 | 530 | 5                                    | 125 | 270 | 220 | 184 | 26    | 8-φ26                                  | 100 | 235 | 190 | 156 | 24    | 8-φ22       | 451   |
|               | 200L        | 140              | 225 | 280  | 1585 | 1400 | 940  |     | 230 | 440 | 400       | 4-M16X400 | 170 | 105 | 530 | 5                                    | 125 | 270 | 220 | 184 | 26    | 8-φ26                                  | 100 | 235 | 190 | 156 | 24    | 8-φ22       | 534   |
|               | 225M        | 140              | 225 | 280  | 1625 | 1600 | 1060 | 530 | 270 | 530 | 490       | 6-M16X400 | 170 | 105 | 530 | 5                                    | 125 | 270 | 220 | 184 | 26    | 8-φ26                                  | 100 | 235 | 190 | 156 | 24    | 8-φ22       | 599   |
|               | 250M        | 140              | 225 | 280  | 1740 | 1600 | 1060 | 530 | 270 | 600 | 550       | 6-M16X400 | 190 | 105 | 530 | 5                                    | 125 | 270 | 220 | 184 | 26    | 8-φ26                                  | 100 | 235 | 190 | 156 | 24    | 8-φ22       | 795   |
|               | 280S        | 140              | 225 | 280  | 1810 | 1600 | 1060 | 530 | 270 | 650 | 600       | 6-M16X400 | 230 | 105 | 530 | 5                                    | 125 | 270 | 220 | 184 | 26    | 8-φ26                                  | 100 | 235 | 190 | 156 | 24    | 8-φ22       | 895   |
|               | 280M        | 140              | 225 | 280  | 1860 | 1600 | 1060 | 530 | 270 | 650 | 600       | 6-M16X400 | 230 | 105 | 530 | 5                                    | 125 | 270 | 220 | 184 | 26    | 8-φ26                                  | 100 | 235 | 190 | 156 | 24    | 8-φ22       | 971   |
|               | 315S        | 140              | 225 | 280  | 2000 | 1800 | 1200 | 600 | 300 | 720 | 670       | 6-M16X400 | 250 | 195 | 530 | 5                                    | 125 | 270 | 220 | 184 | 26    | 8-φ26                                  | 100 | 235 | 190 | 156 | 24    | 8-φ22       | 1520  |
|               | 315M        | 140              | 225 | 280  | 2050 | 1800 | 1200 | 600 | 300 | 720 | 670       | 6-M16X400 | 250 | 195 | 530 | 5                                    | 125 | 270 | 220 | 184 | 26    | 8-φ26                                  | 100 | 235 | 190 | 156 | 24    | 8-φ22       | 1700  |
| CZ125-100-315 | 132S        | 140              | 250 | 315  | 1285 | 1250 | 840  |     | 205 | 440 | 400       | 4-M12X220 | 125 | 105 | 530 | 5                                    | 125 | 270 | 220 | 184 | 26    | 8-φ26                                  | 100 | 235 | 190 | 156 | 24    | 8-φ22       | 334   |
|               | 160M        | 140              | 250 | 315  | 1410 | 1400 | 940  |     | 230 | 440 | 400       | 4-M16X400 | 140 | 105 | 530 | 5                                    | 125 | 270 | 220 | 184 | 26    | 8-φ26                                  | 100 | 235 | 190 | 156 | 24    | 8-φ22       | 424   |
|               | 160L        | 140              | 250 | 315  | 1455 | 1400 | 940  |     | 230 | 440 | 400       | 4-M16X400 | 140 | 105 | 530 | 5                                    | 125 | 270 | 220 | 184 | 26    | 8-φ26                                  | 100 | 235 | 190 | 156 | 24    | 8-φ22       | 445   |
|               | 180M        | 140              | 250 | 315  | 1480 | 1400 | 940  |     | 230 | 440 | 400       | 4-M16X400 | 140 | 105 | 530 | 5                                    | 125 | 270 | 220 | 184 | 26    | 8-φ26                                  | 100 | 235 | 190 | 156 | 24    | 8-φ22       | 481   |
|               | 200L        | 140              | 250 | 315  | 1585 | 1400 | 940  |     | 230 | 440 | 400       | 4-M16X400 | 140 | 105 | 530 | 5                                    | 125 | 270 | 220 | 184 | 26    | 8-φ26                                  | 100 | 235 | 190 | 156 | 24    | 8-φ22       | 572   |
|               | 225M        | 140              | 250 | 315  | 1625 | 1600 | 1060 | 530 | 270 | 530 | 490       | 6-M16X400 | 170 | 105 | 530 | 5                                    | 125 | 270 | 220 | 184 | 26    | 8-φ26                                  | 100 | 235 | 190 | 156 | 24    | 8-φ22       | 636   |
|               | 250M        | 140              | 250 | 315  | 1740 | 1600 | 1060 | 530 | 270 | 600 | 550       | 6-M16X400 | 190 | 105 | 530 | 5                                    | 125 | 270 | 220 | 184 | 26    | 8-φ26                                  | 100 | 235 | 190 | 156 | 24    | 8-φ22       | 849   |
|               | 280S        | 140              | 250 | 315  | 1810 | 1600 | 1060 | 530 | 270 | 650 | 600       | 6-M16X400 | 230 | 105 | 530 | 5                                    | 125 | 270 | 220 | 184 | 26    | 8-φ26                                  | 100 | 235 | 190 | 156 | 24    | 8-φ22       | 933   |
|               | 280M        | 140              | 250 | 315  | 1860 | 1600 | 1060 | 530 | 270 | 650 | 600       | 6-M16X400 | 230 | 105 | 530 | 5                                    | 125 | 270 | 220 | 184 | 26    | 8-φ26                                  | 100 | 235 | 190 | 156 | 24    | 8-φ22       | 1009  |
|               | 315S        | 140              | 250 | 315  | 2000 | 1800 | 1200 | 600 | 300 | 720 | 670       | 6-M16X400 | 250 | 195 | 530 | 5                                    | 125 | 270 | 220 | 184 | 26    | 8-φ26                                  | 100 | 235 | 190 | 156 | 24    | 8-φ22       | 1541  |
| 315M          | 140         | 250              | 315 | 2050 | 1800 | 1200 | 600  | 300 | 720 | 670 | 6-M16X400 | 250       | 195 | 530 | 5   | 125                                  | 270 | 220 | 184 | 26  | 8-φ26 | 100                                    | 235 | 190 | 156 | 24  | 8-φ22 | 1721        |       |



| 型号<br>Type    | 电机<br>Motor   | 泵 座<br>Pump base |     |     |      |      |      |      |     |     |     |           |           |     |     | 吸入口法兰尺寸<br>Suction Flange Dimensions |     |     |     |     |     | 排出口法兰尺寸<br>Discharge Flange Dimensions |        |     |     |     |     | 重量<br>Weigh |       |
|---------------|---------------|------------------|-----|-----|------|------|------|------|-----|-----|-----|-----------|-----------|-----|-----|--------------------------------------|-----|-----|-----|-----|-----|--|--------|-----|-----|-----|-----|-------------|-------|
|               |               | a                | h   | h1  | L    | L1   | L2   | L3   | L4  | B   | B1  | n-Mdxl    | H         | i   | f   | c                                    | DN1 | D1  | D11 | d1  | b1  | n1-d1                                  | DN2    | D2  | D12 | d2  | b2  |             | n2-d2 |
| CZ125-100-400 | 160M          | 140              | 280 | 355 | 1410 | 1400 | 940  |      | 230 | 530 | 490 | 4-M16X400 | 140       | 125 | 530 | 5                                    | 125 | 270 | 220 | 184 | 26  | 8-φ26                                  | 100    | 235 | 190 | 156 | 24  | 8-φ22       | 495   |
|               | 160L          | 140              | 280 | 355 | 1455 | 1400 | 940  |      | 230 | 530 | 490 | 4-M16X400 | 140       | 125 | 530 | 5                                    | 125 | 270 | 220 | 184 | 26  | 8-φ26                                  | 100    | 235 | 190 | 156 | 24  | 8-φ22       | 516   |
|               | 180M          | 140              | 280 | 355 | 1480 | 1400 | 940  |      | 230 | 530 | 490 | 4-M16X400 | 140       | 125 | 530 | 5                                    | 125 | 270 | 220 | 184 | 26  | 8-φ26                                  | 100    | 235 | 190 | 156 | 24  | 8-φ22       | 552   |
|               | 200L          | 140              | 280 | 355 | 1585 | 1600 | 1060 | 530  | 270 | 530 | 490 | 6-M16X400 | 140       | 125 | 530 | 5                                    | 125 | 270 | 220 | 184 | 26  | 8-φ26                                  | 100    | 235 | 190 | 156 | 24  | 8-φ22       | 653   |
|               | 225M          | 140              | 280 | 355 | 1655 | 1600 | 1060 | 530  | 270 | 530 | 490 | 6-M16X400 | 170       | 125 | 530 | 5                                    | 125 | 270 | 220 | 184 | 26  | 8-φ26                                  | 100    | 235 | 190 | 156 | 24  | 8-φ22       | 667   |
| CZ150-125-250 | 132S          | 140              | 250 | 355 | 1285 | 1250 | 840  |      | 205 | 440 | 400 | 4-M12X220 | 125       | 105 | 530 | 5                                    | 150 | 300 | 250 | 211 | 28  | 8-φ26                                  | 125    | 270 | 220 | 184 | 26  | 8-φ26       | 323   |
|               | 160M          | 140              | 250 | 355 | 1410 | 1400 | 940  |      | 230 | 440 | 400 | 4-M16X400 | 140       | 105 | 530 | 5                                    | 150 | 300 | 250 | 211 | 28  | 8-φ26                                  | 125    | 270 | 220 | 184 | 26  | 8-φ26       | 413   |
|               | 160L          | 140              | 250 | 355 | 1455 | 1400 | 940  |      | 230 | 440 | 400 | 4-M16X400 | 140       | 105 | 530 | 5                                    | 150 | 300 | 250 | 211 | 28  | 8-φ26                                  | 125    | 270 | 220 | 184 | 26  | 8-φ26       | 434   |
|               | 180M          | 140              | 250 | 355 | 1480 | 1400 | 940  |      | 230 | 440 | 400 | 4-M16X400 | 140       | 105 | 530 | 5                                    | 150 | 300 | 250 | 211 | 28  | 8-φ26                                  | 125    | 270 | 220 | 184 | 26  | 8-φ26       | 472   |
|               | 180L          | 140              | 250 | 355 | 1520 | 1400 | 940  |      | 230 | 440 | 400 | 4-M16X400 | 140       | 105 | 530 | 5                                    | 150 | 300 | 250 | 211 | 28  | 8-φ26                                  | 125    | 270 | 220 | 184 | 26  | 8-φ26       | 480   |
| CZ150-125-315 | 160M          | 140              | 280 | 355 | 1410 | 1400 | 940  |      | 230 | 530 | 490 | 4-M16X400 | 140       | 125 | 530 | 5                                    | 150 | 300 | 250 | 211 | 28  | 8-φ26                                  | 125    | 270 | 220 | 184 | 26  | 8-φ26       | 469   |
|               | 160L          | 140              | 280 | 355 | 1455 | 1400 | 940  |      | 230 | 530 | 490 | 4-M16X400 | 140       | 125 | 530 | 5                                    | 150 | 300 | 250 | 211 | 28  | 8-φ26                                  | 125    | 270 | 220 | 184 | 26  | 8-φ26       | 490   |
|               | 180M          | 140              | 280 | 355 | 1480 | 1400 | 940  |      | 230 | 530 | 490 | 4-M16X400 | 140       | 125 | 530 | 5                                    | 150 | 300 | 250 | 211 | 28  | 8-φ26                                  | 125    | 270 | 220 | 184 | 26  | 8-φ26       | 526   |
|               | 200L          | 140              | 280 | 355 | 1585 | 1600 | 1060 | 530  | 270 | 530 | 490 | 6-M16X400 | 140       | 125 | 530 | 5                                    | 150 | 300 | 250 | 211 | 28  | 8-φ26                                  | 125    | 270 | 220 | 184 | 26  | 8-φ26       | 627   |
|               | 225S          | 140              | 280 | 355 | 1630 | 1600 | 1060 | 530  | 270 | 530 | 490 | 6-M16X400 | 140       | 125 | 530 | 5                                    | 150 | 300 | 250 | 211 | 28  | 8-φ26                                  | 125    | 270 | 220 | 184 | 26  | 8-φ26       | 637   |
|               | 225M          | 140              | 280 | 355 | 1655 | 1600 | 1060 | 530  | 270 | 530 | 490 | 6-M16X400 | 140       | 125 | 530 | 5                                    | 150 | 300 | 250 | 211 | 28  | 8-φ26                                  | 125    | 270 | 220 | 184 | 26  | 8-φ26       | 673   |
| CZ150-125-400 | 160M          | 140              | 315 | 400 | 1410 | 1400 | 940  |      | 230 | 530 | 490 | 4-M16X400 | 140       | 125 | 530 | 5                                    | 150 | 300 | 250 | 211 | 28  | 8-φ26                                  | 125    | 270 | 220 | 184 | 26  | 8-φ26       | 514   |
|               | 160L          | 140              | 315 | 400 | 1455 | 1400 | 940  |      | 230 | 530 | 490 | 4-M16X400 | 140       | 125 | 530 | 5                                    | 150 | 300 | 250 | 211 | 28  | 8-φ26                                  | 125    | 270 | 220 | 184 | 26  | 8-φ26       | 535   |
|               | 180M          | 140              | 315 | 400 | 1480 | 1400 | 940  |      | 230 | 530 | 490 | 4-M16X400 | 140       | 125 | 530 | 5                                    | 150 | 300 | 250 | 211 | 28  | 8-φ26                                  | 125    | 270 | 220 | 184 | 26  | 8-φ26       | 571   |
|               | 200L          | 140              | 315 | 400 | 1585 | 1600 | 1060 | 530  | 270 | 530 | 490 | 6-M16X400 | 170       | 125 | 530 | 5                                    | 150 | 300 | 250 | 211 | 28  | 8-φ26                                  | 125    | 270 | 220 | 184 | 26  | 8-φ26       | 692   |
|               | 225S          | 140              | 315 | 400 | 1630 | 1600 | 1060 | 530  | 270 | 530 | 490 | 6-M16X400 | 170       | 125 | 530 | 5                                    | 150 | 300 | 250 | 211 | 28  | 8-φ26                                  | 125    | 270 | 220 | 184 | 26  | 8-φ26       | 683   |
|               | 225M          | 140              | 315 | 400 | 1655 | 1600 | 1060 | 530  | 270 | 530 | 490 | 6-M16X400 | 170       | 125 | 530 | 5                                    | 150 | 300 | 250 | 211 | 28  | 8-φ26                                  | 125    | 270 | 220 | 184 | 26  | 8-φ26       | 719   |
|               | 250M          | 140              | 315 | 400 | 1740 | 1600 | 1060 | 530  | 270 | 600 | 550 | 6-M16X400 | 190       | 125 | 530 | 5                                    | 150 | 300 | 250 | 211 | 28  | 8-φ26                                  | 125    | 270 | 220 | 184 | 26  | 8-φ26       | 907   |
|               | 280S          | 140              | 315 | 400 | 1810 | 1600 | 1060 | 530  | 270 | 650 | 600 | 6-M16X400 | 230       | 125 | 530 | 5                                    | 150 | 300 | 250 | 211 | 28  | 8-φ26                                  | 125    | 270 | 220 | 184 | 26  | 8-φ26       | 998   |
| CZ200-150-250 | 132S          | 160              | 280 | 375 | 1345 | 1400 | 940  |      | 230 | 650 | 600 | 4-M16X400 | 160       | 125 | 530 | 5                                    | 200 | 360 | 310 | 274 | 30  | 12-φ26                                 | 150    | 300 | 250 | 211 | 28  | 8-φ26       | 438   |
|               | 132M          | 160              | 280 | 375 | 1386 | 1400 | 940  |      | 230 | 650 | 600 | 4-M16X400 | 160       | 125 | 530 | 5                                    | 200 | 360 | 310 | 274 | 30  | 12-φ26                                 | 150    | 300 | 250 | 211 | 28  | 8-φ26       | 451   |
|               | 160M          | 160              | 280 | 375 | 1470 | 1600 | 1060 | 530  | 270 | 650 | 600 | 6-M16X400 | 160       | 125 | 530 | 5                                    | 200 | 360 | 310 | 274 | 30  | 12-φ26                                 | 150    | 300 | 250 | 211 | 28  | 8-φ26       | 537   |
|               | 160L          | 160              | 280 | 375 | 1515 | 1600 | 1060 | 530  | 270 | 650 | 600 | 6-M16X400 | 160       | 125 | 530 | 5                                    | 200 | 360 | 310 | 274 | 30  | 12-φ26                                 | 150    | 300 | 250 | 211 | 28  | 8-φ26       | 558   |
|               | 180M          | 160              | 280 | 375 | 1540 | 1600 | 1060 | 530  | 270 | 650 | 600 | 6-M16X400 | 160       | 125 | 530 | 5                                    | 200 | 360 | 310 | 274 | 30  | 12-φ26                                 | 150    | 300 | 250 | 211 | 28  | 8-φ26       | 591   |
|               | 180L          | 160              | 280 | 375 | 1580 | 1600 | 1060 | 530  | 270 | 650 | 600 | 6-M16X400 | 160       | 125 | 530 | 5                                    | 200 | 360 | 310 | 274 | 30  | 12-φ26                                 | 150    | 300 | 250 | 211 | 28  | 8-φ26       | 599   |
|               | 200L          | 160              | 280 | 375 | 1645 | 1600 | 1060 | 530  | 270 | 650 | 600 | 6-M16X400 | 160       | 125 | 530 | 5                                    | 200 | 360 | 310 | 274 | 30  | 12-φ26                                 | 150    | 300 | 250 | 211 | 28  | 8-φ26       | 673   |
|               | 225S          | 160              | 280 | 375 | 1690 | 1600 | 1060 | 530  | 270 | 650 | 600 | 6-M16X400 | 160       | 125 | 530 | 5                                    | 200 | 360 | 310 | 274 | 30  | 12-φ26                                 | 150    | 300 | 250 | 211 | 28  | 8-φ26       | 682   |
|               | 225M          | 160              | 280 | 375 | 1715 | 1600 | 1060 | 530  | 270 | 650 | 600 | 6-M16X400 | 160       | 125 | 530 | 5                                    | 200 | 360 | 310 | 274 | 30  | 12-φ26                                 | 150    | 300 | 250 | 211 | 28  | 8-φ26       | 718   |
|               | CZ200-150-315 | 160M             | 160 | 315 | 400  | 1610 | 1800 | 1200 | 600 | 300 | 720 | 670       | 6-M16X400 | 160 | 125 | 670                                  | 6   | 200 | 360 | 310 | 274 | 30                                     | 12-φ26 | 150 | 300 | 250 | 211 | 28          | 8-φ26 |
| 160L          |               | 160              | 315 | 400 | 1655 | 1800 | 1200 | 600  | 300 | 720 | 670 | 6-M16X400 | 160       | 125 | 670 | 6                                    | 200 | 360 | 310 | 274 | 30  | 12-φ26                                 | 150    | 300 | 250 | 211 | 28  | 8-φ26       | 769   |
| 180M          |               | 160              | 315 | 400 | 1680 | 1800 | 1200 | 600  | 300 | 720 | 670 | 6-M16X400 | 160       | 125 | 670 | 6                                    | 200 | 360 | 310 | 274 | 30  | 12-φ26                                 | 150    | 300 | 250 | 211 | 28  | 8-φ26       | 800   |
| 180L          |               | 160              | 315 | 400 | 1720 | 1800 | 1200 | 600  | 300 | 720 | 670 | 6-M16X400 | 160       | 125 | 670 | 6                                    | 200 | 360 | 310 | 274 | 30  | 12-φ26                                 | 150    | 300 | 250 | 211 | 28  | 8-φ26       | 808   |
| 200L          |               | 160              | 315 | 400 | 1785 | 1800 | 1200 | 600  | 300 | 720 | 670 | 6-M16X400 | 160       | 125 | 670 | 6                                    | 200 | 360 | 310 | 274 | 30  | 12-φ26                                 | 150    | 300 | 250 | 211 | 28  | 8-φ26       | 882   |
| 225S          |               | 160              | 315 | 400 | 1830 | 1800 | 1200 | 600  | 300 | 720 | 670 | 6-M16X400 | 160       | 125 | 670 | 6                                    | 200 | 360 | 310 | 274 | 30  | 12-φ26                                 | 150    | 300 | 250 | 211 | 28  | 8-φ26       | 888   |
| 225M          |               | 160              | 315 | 400 | 1855 | 1800 | 1200 | 600  | 300 | 720 | 670 | 6-M16X400 | 160       | 125 | 670 | 6                                    | 200 | 360 | 310 | 274 | 30  | 12-φ26                                 | 150    | 300 | 250 | 211 | 28  | 8-φ26       | 924   |
| 250M          |               | 160              | 315 | 400 | 1940 | 1800 | 1200 | 600  | 300 | 720 | 670 | 6-M16X400 | 160       | 125 | 670 | 6                                    | 200 | 360 | 310 | 274 | 30  | 12-φ26                                 | 150    | 300 | 250 | 211 | 28  | 8-φ26       | 1023  |
| 280S          |               | 160              | 315 | 400 | 2010 | 1800 | 1200 | 600  | 300 | 720 | 670 | 6-M16X400 | 160       | 125 | 670 | 6                                    | 200 | 360 | 310 | 274 | 30  | 12-φ26                                 | 150    | 300 | 250 | 211 | 28  | 8-φ26       | 1128  |

| 型号<br>Type    | 电机<br>Motor | 泵 座<br>Pump base |     |     |      |      |      |     |     |     |     |           |     |     |     | 吸入口法兰尺寸<br>Suction Flange Dimensions |     |     |     |     |    | 排出口法兰尺寸<br>Discharge Flange Dimensions |     |     |     |     |    | 重量<br>Weigh |       |
|---------------|-------------|------------------|-----|-----|------|------|------|-----|-----|-----|-----|-----------|-----|-----|-----|--------------------------------------|-----|-----|-----|-----|----|--|-----|-----|-----|-----|----|-------------|-------|
|               |             | a                | h   | h1  | L    | L1   | L2   | L3  | L4  | B   | B1  | n-Mdxl    | H   | i   | f   | c                                    | DN1 | D1  | D11 | d1  | b1 | n1-d1                                  | DN2 | D2  | D12 | d2  | b2 |             | n2-d2 |
| CZ200-150-400 | 180M        | 160              | 315 | 450 | 1680 | 1800 | 1200 | 600 | 300 | 720 | 670 | 6-M16X400 | 160 | 125 | 670 | 6                                    | 200 | 360 | 310 | 274 | 30 | 12-φ26                                 | 150 | 300 | 250 | 211 | 28 | 8-φ26       | 841   |
|               | 180L        | 160              | 315 | 450 | 1720 | 1800 | 1200 | 600 | 300 | 720 | 670 | 6-M16X400 | 160 | 125 | 670 | 6                                    | 200 | 360 | 310 | 274 | 30 | 12-φ26                                 | 150 | 300 | 250 | 211 | 28 | 8-φ26       | 849   |
|               | 200L        | 160              | 315 | 450 | 1785 | 1800 | 1200 | 600 | 300 | 720 | 670 | 6-M16X400 | 160 | 125 | 670 | 6                                    | 200 | 360 | 310 | 274 | 30 | 12-φ26                                 | 150 | 300 | 250 | 211 | 28 | 8-φ26       | 923   |
|               | 225S        | 160              | 315 | 450 | 1830 | 1800 | 1200 | 600 | 300 | 720 | 670 | 6-M16X400 | 160 | 125 | 670 | 6                                    | 200 | 360 | 310 | 274 | 30 | 12-φ26                                 | 150 | 300 | 250 | 211 | 28 | 8-φ26       | 929   |
|               | 225M        | 160              | 315 | 450 | 1855 | 1800 | 1200 | 600 | 300 | 720 | 670 | 6-M16X400 | 160 | 125 | 670 | 6                                    | 200 | 360 | 310 | 274 | 30 | 12-φ26                                 | 150 | 300 | 250 | 211 | 28 | 8-φ26       | 965   |
|               | 250M        | 160              | 315 | 450 | 1940 | 1800 | 1200 | 600 | 300 | 720 | 670 | 6-M16X400 | 160 | 125 | 670 | 6                                    | 200 | 360 | 310 | 274 | 30 | 12-φ26                                 | 150 | 300 | 250 | 211 | 28 | 8-φ26       | 1064  |
|               | 280S        | 160              | 315 | 450 | 2010 | 1800 | 1200 | 600 | 300 | 720 | 670 | 6-M16X400 | 160 | 120 | 670 | 6                                    | 200 | 360 | 310 | 274 | 30 | 12-φ26                                 | 150 | 300 | 250 | 211 | 28 | 8-φ26       | 1362  |
|               | 280M        | 160              | 315 | 450 | 2060 | 1800 | 1200 | 600 | 300 | 720 | 670 | 6-M16X400 | 160 | 120 | 670 | 6                                    | 200 | 360 | 310 | 274 | 30 | 12-φ26                                 | 150 | 300 | 250 | 211 | 28 | 8-φ26       | 1467  |
|               | 315S        | 160              | 315 | 450 | 2230 | 2000 | 1400 | 700 | 300 | 720 | 670 | 6-M16X400 | 160 | 120 | 670 | 6                                    | 200 | 360 | 310 | 274 | 30 | 12-φ26                                 | 150 | 300 | 250 | 211 | 28 | 8-φ26       | 1774  |
|               | 315M        | 160              | 315 | 450 | 2280 | 2000 | 1400 | 700 | 300 | 720 | 670 | 6-M16X400 | 160 | 120 | 670 | 6                                    | 200 | 360 | 310 | 274 | 30 | 12-φ26                                 | 150 | 300 | 250 | 211 | 28 | 8-φ26       | 1934  |
| CZ200-150-500 | 180M        | 180              | 375 | 500 | 1700 | 1800 | 1200 | 600 | 300 | 720 | 670 | 6-M16X400 | 160 | 125 | 670 | 6                                    | 200 | 360 | 310 | 274 | 30 | 12-φ26                                 | 150 | 300 | 250 | 211 | 28 | 8-φ26       | 944   |
|               | 180L        | 180              | 375 | 500 | 1740 | 1800 | 1200 | 600 | 300 | 720 | 670 | 6-M16X400 | 160 | 125 | 670 | 6                                    | 200 | 360 | 310 | 274 | 30 | 12-φ26                                 | 150 | 300 | 250 | 211 | 28 | 8-φ26       | 952   |
|               | 200L        | 180              | 375 | 500 | 1805 | 1800 | 1200 | 600 | 300 | 720 | 670 | 6-M16X400 | 160 | 125 | 670 | 6                                    | 200 | 360 | 310 | 274 | 30 | 12-φ26                                 | 150 | 300 | 250 | 211 | 28 | 8-φ26       | 1025  |
|               | 225S        | 180              | 375 | 500 | 1850 | 1800 | 1200 | 600 | 300 | 720 | 670 | 6-M16X400 | 160 | 125 | 670 | 6                                    | 200 | 360 | 310 | 274 | 30 | 12-φ26                                 | 150 | 300 | 250 | 211 | 28 | 8-φ26       | 1036  |
|               | 225M        | 180              | 375 | 500 | 1875 | 1800 | 1200 | 600 | 300 | 720 | 670 | 6-M16X400 | 160 | 125 | 670 | 6                                    | 200 | 360 | 310 | 274 | 30 | 12-φ26                                 | 150 | 300 | 250 | 211 | 28 | 8-φ26       | 1072  |
|               | 250M        | 180              | 375 | 500 | 1960 | 1800 | 1200 | 600 | 300 | 720 | 670 | 6-M16X400 | 160 | 125 | 670 | 6                                    | 200 | 360 | 310 | 274 | 30 | 12-φ26                                 | 150 | 300 | 250 | 211 | 28 | 8-φ26       | 1166  |
|               | 280S        | 180              | 375 | 500 | 2030 | 1800 | 1200 | 600 | 300 | 720 | 670 | 6-M16X400 | 160 | 120 | 670 | 6                                    | 200 | 360 | 310 | 274 | 30 | 12-φ26                                 | 150 | 300 | 250 | 211 | 28 | 8-φ26       | 1292  |
|               | 280M        | 180              | 375 | 500 | 2080 | 2000 | 1400 | 700 | 300 | 720 | 670 | 6-M16X400 | 160 | 120 | 670 | 6                                    | 200 | 360 | 310 | 274 | 30 | 12-φ26                                 | 150 | 300 | 250 | 211 | 28 | 8-φ26       | 1397  |
|               | 315S        | 180              | 375 | 500 | 2250 | 2000 | 1400 | 700 | 300 | 720 | 670 | 6-M16X400 | 190 | 210 | 670 | 6                                    | 200 | 360 | 310 | 274 | 30 | 12-φ26                                 | 150 | 300 | 250 | 211 | 28 | 8-φ26       | 1917  |
|               | 315M        | 180              | 375 | 500 | 2300 | 2000 | 1400 | 700 | 300 | 720 | 670 | 6-M16X400 | 190 | 210 | 670 | 6                                    | 200 | 360 | 310 | 274 | 30 | 12-φ26                                 | 150 | 300 | 250 | 211 | 28 | 8-φ26       | 2077  |
| CZ250-200-250 | 160M        | 180              | 315 | 425 | 1520 | 1400 | 940  |     | 230 | 650 | 600 | 4-M16X400 | 160 | 125 | 560 | 5                                    | 250 | 425 | 370 | 330 | 32 | 12-φ30                                 | 200 | 360 | 310 | 274 | 30 | 12-φ26      | 549   |
|               | 160L        | 180              | 315 | 425 | 1565 | 1400 | 940  |     | 230 | 650 | 600 | 4-M16X400 | 160 | 125 | 560 | 5                                    | 250 | 425 | 370 | 330 | 32 | 12-φ30                                 | 200 | 360 | 310 | 274 | 30 | 12-φ26      | 570   |
|               | 180M        | 180              | 315 | 425 | 1590 | 1600 | 1060 | 530 | 270 | 650 | 600 | 6-M16X400 | 160 | 125 | 560 | 5                                    | 250 | 425 | 370 | 330 | 32 | 12-φ30                                 | 200 | 360 | 310 | 274 | 30 | 12-φ26      | 651   |
|               | 180L        | 180              | 315 | 425 | 1630 | 1600 | 1060 | 530 | 270 | 650 | 600 | 6-M16X400 | 160 | 125 | 560 | 5                                    | 250 | 425 | 370 | 330 | 32 | 12-φ30                                 | 200 | 360 | 310 | 274 | 30 | 12-φ26      | 659   |
|               | 200L        | 180              | 315 | 425 | 1695 | 1600 | 1060 | 530 | 270 | 650 | 600 | 6-M16X400 | 160 | 125 | 560 | 5                                    | 250 | 425 | 370 | 330 | 32 | 12-φ30                                 | 200 | 360 | 310 | 274 | 30 | 12-φ26      | 741   |
|               | 225S        | 180              | 315 | 425 | 1740 | 1600 | 1060 | 530 | 270 | 650 | 600 | 6-M16X400 | 160 | 125 | 560 | 5                                    | 250 | 425 | 370 | 330 | 32 | 12-φ30                                 | 200 | 360 | 310 | 274 | 30 | 12-φ26      | 745   |
| CZ250-200-315 | 160M        | 200              | 355 | 450 | 1650 | 1800 | 1200 | 600 | 300 | 720 | 670 | 6-M16X400 | 160 | 125 | 670 | 6                                    | 250 | 425 | 370 | 330 | 32 | 12-φ30                                 | 200 | 360 | 310 | 274 | 30 | 12-φ26      | 828   |
|               | 160L        | 200              | 355 | 450 | 1695 | 1800 | 1200 | 600 | 300 | 720 | 670 | 6-M16X400 | 160 | 125 | 670 | 6                                    | 250 | 425 | 370 | 330 | 32 | 12-φ30                                 | 200 | 360 | 310 | 274 | 30 | 12-φ26      | 849   |
|               | 180M        | 200              | 355 | 450 | 1720 | 1800 | 1200 | 600 | 300 | 720 | 670 | 6-M16X400 | 160 | 125 | 670 | 6                                    | 250 | 425 | 370 | 330 | 32 | 12-φ30                                 | 200 | 360 | 310 | 274 | 30 | 12-φ26      | 880   |
|               | 180L        | 200              | 355 | 450 | 1760 | 1800 | 1200 | 600 | 300 | 720 | 670 | 6-M16X400 | 160 | 125 | 670 | 6                                    | 250 | 425 | 370 | 330 | 32 | 12-φ30                                 | 200 | 360 | 310 | 274 | 30 | 12-φ26      | 888   |
|               | 200L        | 200              | 355 | 450 | 1825 | 1800 | 1200 | 600 | 300 | 720 | 670 | 6-M16X400 | 160 | 125 | 670 | 6                                    | 250 | 425 | 370 | 330 | 32 | 12-φ30                                 | 200 | 360 | 310 | 274 | 30 | 12-φ26      | 962   |
|               | 225S        | 200              | 355 | 450 | 1870 | 1800 | 1200 | 600 | 300 | 720 | 670 | 6-M16X400 | 160 | 125 | 670 | 6                                    | 250 | 425 | 370 | 330 | 32 | 12-φ30                                 | 200 | 360 | 310 | 274 | 30 | 12-φ26      | 968   |
|               | 225M        | 200              | 355 | 450 | 1895 | 1800 | 1200 | 600 | 300 | 720 | 670 | 6-M16X400 | 160 | 125 | 670 | 6                                    | 250 | 425 | 370 | 330 | 32 | 12-φ30                                 | 200 | 360 | 310 | 274 | 30 | 12-φ26      | 1004  |
|               | 250M        | 200              | 355 | 450 | 1980 | 1800 | 1200 | 600 | 300 | 720 | 670 | 6-M16X400 | 160 | 125 | 670 | 6                                    | 250 | 425 | 370 | 330 | 32 | 12-φ30                                 | 200 | 360 | 310 | 274 | 30 | 12-φ26      | 1103  |
|               | 280S        | 200              | 355 | 450 | 2050 | 1800 | 1200 | 600 | 300 | 720 | 670 | 6-M16X400 | 160 | 120 | 670 | 6                                    | 250 | 425 | 370 | 330 | 32 | 12-φ30                                 | 200 | 360 | 310 | 274 | 30 | 12-φ26      | 1228  |
|               | 280M        | 200              | 355 | 450 | 2100 | 1800 | 1200 | 600 | 300 | 720 | 670 | 6-M16X400 | 160 | 120 | 670 | 6                                    | 250 | 425 | 370 | 330 | 32 | 12-φ30                                 | 200 | 360 | 310 | 274 | 30 | 12-φ26      | 1333  |
| CZ250-200-400 | 180M        | 180              | 355 | 500 | 1720 | 1800 | 1200 | 600 | 300 | 720 | 670 | 6-M16X400 | 160 | 125 | 670 | 6                                    | 250 | 425 | 370 | 330 | 32 | 12-φ30                                 | 200 | 360 | 310 | 274 | 30 | 12-φ26      | 907   |
|               | 180L        | 180              | 355 | 500 | 1760 | 1800 | 1200 | 600 | 300 | 720 | 670 | 6-M16X400 | 160 | 125 | 670 | 6                                    | 250 | 425 | 370 | 330 | 32 | 12-φ30                                 | 200 | 360 | 310 | 274 | 30 | 12-φ26      | 915   |
|               | 200L        | 180              | 355 | 500 | 1825 | 1800 | 1200 | 600 | 300 | 720 | 670 | 6-M16X400 | 160 | 125 | 670 | 6                                    | 250 | 425 | 370 | 330 | 32 | 12-φ30                                 | 200 | 360 | 310 | 274 | 30 | 12-φ26      | 989   |
|               | 225S        | 180              | 355 | 500 | 1870 | 1800 | 1200 | 600 | 300 | 720 | 670 | 6-M16X400 | 160 | 125 | 670 | 6                                    | 250 | 425 | 370 | 330 | 32 | 12-φ30                                 | 200 | 360 | 310 | 274 | 30 | 12-φ26      | 995   |
|               | 225M        | 180              | 355 | 500 | 1895 | 1800 | 1200 | 600 | 300 | 720 | 670 | 6-M16X400 | 160 | 125 | 670 | 6                                    | 250 | 425 | 370 | 330 | 32 | 12-φ30                                 | 200 | 360 | 310 | 274 | 30 | 12-φ26      | 1031  |
|               | 250M        | 180              | 355 | 500 | 1980 | 1800 | 1200 | 600 | 300 | 720 | 670 | 6-M16X400 | 160 | 125 | 670 | 6                                    | 250 | 425 | 370 | 330 | 32 | 12-φ30                                 | 200 | 360 | 310 | 274 | 30 | 12-φ26      | 1130  |
|               | 280S        | 180              | 355 | 500 | 2050 | 1800 | 1200 | 600 | 300 | 720 | 670 | 6-M16X400 | 160 | 120 | 670 | 6                                    | 250 | 425 | 370 | 330 | 32 | 12-φ30                                 | 200 | 360 | 310 | 274 | 30 | 12-φ26      | 1262  |

| 型号<br>Type    | 电机<br>Motor | 泵 座<br>Pump base |     |     |      |      |      |     |     |     |     |           |     |     |     | 吸入口法兰尺寸<br>Suction Flange Dimensions |     |     |     |     |    | 排出口法兰尺寸<br>Discharge Flange Dimensions |     |     |     |     |    | 重量<br>Weigh |       |
|---------------|-------------|------------------|-----|-----|------|------|------|-----|-----|-----|-----|-----------|-----|-----|-----|--------------------------------------|-----|-----|-----|-----|----|--|-----|-----|-----|-----|----|-------------|-------|
|               |             | a                | h   | h1  | L    | L1   | L2   | L3  | L4  | B   | B1  | n-Mdxl    | H   | i   | f   | c                                    | DN1 | D1  | D11 | d1  | b1 | n1-d1                                  | DN2 | D2  | D12 | d2  | b2 |             | n2-d2 |
| CZ250-200-400 | 280M        | 180              | 355 | 500 | 2100 | 1800 | 1200 | 600 | 300 | 720 | 670 | 6-M16X400 | 160 | 120 | 670 | 6                                    | 250 | 425 | 370 | 330 | 32 | 12-φ30                                 | 200 | 360 | 310 | 274 | 30 | 12-φ26      | 1367  |
|               | 315S        | 180              | 355 | 500 | 2270 | 2000 | 1400 | 700 | 300 | 720 | 670 | 6-M16X400 | 190 | 210 | 670 | 6                                    | 250 | 425 | 370 | 330 | 32 | 12-φ30                                 | 200 | 360 | 310 | 274 | 30 | 12-φ26      | 1872  |
|               | 315M        | 180              | 355 | 500 | 2320 | 2000 | 1400 | 700 | 300 | 720 | 670 | 6-M16X400 | 190 | 210 | 670 | 6                                    | 250 | 425 | 370 | 330 | 32 | 12-φ30                                 | 200 | 360 | 310 | 274 | 30 | 12-φ26      | 2032  |
| CZ250-200-500 | 200L        | 200              | 400 | 560 | 1875 | 1800 | 1200 | 600 | 300 | 720 | 670 | 6-M16X400 | 160 | 125 | 720 | 6                                    | 250 | 425 | 370 | 330 | 32 | 12-φ30                                 | 200 | 360 | 310 | 274 | 30 | 12-φ26      | 1123  |
|               | 225S        | 200              | 400 | 560 | 1920 | 1800 | 1200 | 600 | 300 | 720 | 670 | 6-M16X400 | 160 | 125 | 720 | 6                                    | 250 | 425 | 370 | 330 | 32 | 12-φ30                                 | 200 | 360 | 310 | 274 | 30 | 12-φ26      | 1129  |
|               | 225M        | 200              | 400 | 560 | 1945 | 1800 | 1200 | 600 | 300 | 720 | 670 | 6-M16X400 | 160 | 125 | 720 | 6                                    | 250 | 425 | 370 | 330 | 32 | 12-φ30                                 | 200 | 360 | 310 | 274 | 30 | 12-φ26      | 1165  |
|               | 250M        | 200              | 400 | 560 | 2030 | 1800 | 1200 | 600 | 300 | 720 | 670 | 6-M16X400 | 160 | 125 | 720 | 6                                    | 250 | 425 | 370 | 330 | 32 | 12-φ30                                 | 200 | 360 | 310 | 274 | 30 | 12-φ26      | 1269  |
|               | 280S        | 200              | 400 | 560 | 2100 | 2000 | 1400 | 700 | 300 | 720 | 670 | 6-M16X400 | 160 | 125 | 720 | 6                                    | 250 | 425 | 370 | 330 | 32 | 12-φ30                                 | 200 | 360 | 310 | 274 | 30 | 12-φ26      | 1535  |
|               | 280M        | 200              | 400 | 560 | 2150 | 2000 | 1400 | 700 | 300 | 720 | 670 | 6-M16X400 | 160 | 125 | 720 | 6                                    | 250 | 425 | 370 | 330 | 32 | 12-φ30                                 | 200 | 360 | 310 | 274 | 30 | 12-φ26      | 1640  |
|               | 315S        | 200              | 400 | 560 | 2320 | 2000 | 1400 | 700 | 300 | 720 | 670 | 6-M16X400 | 160 | 155 | 720 | 6                                    | 250 | 425 | 370 | 330 | 32 | 12-φ30                                 | 200 | 360 | 310 | 274 | 30 | 12-φ26      | 1958  |
|               | 315M        | 200              | 400 | 560 | 2370 | 2000 | 1400 | 700 | 300 | 720 | 670 | 6-M16X400 | 160 | 155 | 720 | 6                                    | 250 | 425 | 370 | 330 | 32 | 12-φ30                                 | 200 | 360 | 310 | 274 | 30 | 12-φ26      | 2118  |
| CZ300-250-315 | 200L        | 250              | 400 | 560 | 1875 | 1800 | 1200 | 600 | 300 | 780 | 730 | 6-M20X500 | 200 | 155 | 670 | 6                                    | 300 | 485 | 430 | 389 | 34 | 16-φ30                                 | 250 | 425 | 370 | 330 | 32 | 12-φ30      | 1113  |
|               | 225S        | 250              | 400 | 560 | 1920 | 1800 | 1200 | 600 | 300 | 780 | 730 | 6-M20X500 | 200 | 155 | 670 | 6                                    | 300 | 485 | 430 | 389 | 34 | 16-φ30                                 | 250 | 425 | 370 | 330 | 32 | 12-φ30      | 1130  |
|               | 225M        | 250              | 400 | 560 | 1945 | 1800 | 1200 | 600 | 300 | 780 | 730 | 6-M20X500 | 200 | 155 | 670 | 6                                    | 300 | 485 | 430 | 389 | 34 | 16-φ30                                 | 250 | 425 | 370 | 330 | 32 | 12-φ30      | 1160  |
|               | 250M        | 250              | 400 | 560 | 2030 | 1800 | 1200 | 600 | 300 | 780 | 730 | 6-M20X500 | 200 | 155 | 670 | 6                                    | 300 | 485 | 430 | 389 | 34 | 16-φ30                                 | 250 | 425 | 370 | 330 | 32 | 12-φ30      | 1274  |
|               | 280S        | 250              | 400 | 560 | 2100 | 2000 | 1400 | 700 | 300 | 780 | 730 | 6-M20X500 | 200 | 155 | 670 | 6                                    | 300 | 485 | 430 | 389 | 34 | 16-φ30                                 | 250 | 425 | 370 | 330 | 32 | 12-φ30      | 1411  |
|               | 280M        | 250              | 400 | 560 | 2150 | 2000 | 1400 | 700 | 300 | 780 | 730 | 6-M20X500 | 200 | 155 | 670 | 6                                    | 300 | 485 | 430 | 389 | 34 | 16-φ30                                 | 250 | 425 | 370 | 330 | 32 | 12-φ30      | 1516  |
|               | 315S        | 250              | 400 | 560 | 2320 | 2000 | 1400 | 700 | 300 | 780 | 730 | 6-M20X500 | 200 | 155 | 670 | 6                                    | 300 | 485 | 430 | 389 | 34 | 16-φ30                                 | 250 | 425 | 370 | 330 | 32 | 12-φ30      | 1845  |
|               | 315M        | 250              | 400 | 560 | 2370 | 2000 | 1400 | 700 | 300 | 780 | 730 | 6-M20X500 | 200 | 155 | 670 | 6                                    | 300 | 485 | 430 | 389 | 34 | 16-φ30                                 | 250 | 425 | 370 | 330 | 32 | 12-φ30      | 2005  |
| CZ300-250-400 | 225S        | 200              | 375 | 600 | 1920 | 1800 | 1200 | 600 | 300 | 870 | 820 | 6-M20X500 | 200 | 165 | 720 | 6                                    | 300 | 485 | 430 | 389 | 34 | 16-φ30                                 | 250 | 425 | 370 | 330 | 32 | 12-φ30      | 1119  |
|               | 225M        | 200              | 375 | 600 | 1945 | 1800 | 1200 | 600 | 300 | 870 | 820 | 6-M20X500 | 200 | 165 | 720 | 6                                    | 300 | 485 | 430 | 389 | 34 | 16-φ30                                 | 250 | 425 | 370 | 330 | 32 | 12-φ30      | 1155  |
|               | 250M        | 200              | 375 | 600 | 2030 | 2000 | 1400 | 700 | 300 | 870 | 820 | 6-M20X500 | 200 | 165 | 720 | 6                                    | 300 | 485 | 430 | 389 | 34 | 16-φ30                                 | 250 | 425 | 370 | 330 | 32 | 12-φ30      | 1336  |
|               | 280S        | 200              | 375 | 600 | 2100 | 2000 | 1400 | 700 | 300 | 870 | 820 | 6-M20X500 | 200 | 165 | 720 | 6                                    | 300 | 485 | 430 | 389 | 34 | 16-φ30                                 | 250 | 425 | 370 | 330 | 32 | 12-φ30      | 1464  |
|               | 280M        | 200              | 375 | 600 | 2150 | 2000 | 1400 | 700 | 300 | 870 | 820 | 6-M20X500 | 200 | 165 | 720 | 6                                    | 300 | 485 | 430 | 389 | 34 | 16-φ30                                 | 250 | 425 | 370 | 330 | 32 | 12-φ30      | 1569  |
|               | 315S        | 200              | 375 | 600 | 2320 | 2000 | 1400 | 700 | 300 | 870 | 820 | 6-M20X500 | 230 | 165 | 720 | 6                                    | 300 | 485 | 430 | 389 | 34 | 16-φ30                                 | 250 | 425 | 370 | 330 | 32 | 12-φ30      | 1893  |
|               | 315M        | 200              | 375 | 600 | 2370 | 2000 | 1400 | 700 | 300 | 870 | 820 | 6-M20X500 | 230 | 165 | 720 | 6                                    | 300 | 485 | 430 | 389 | 34 | 16-φ30                                 | 250 | 425 | 370 | 330 | 32 | 12-φ30      | 2053  |
| CZ300-250-500 | 250M        | 200              | 425 | 670 | 2030 | 2000 | 1400 | 700 | 300 | 870 | 820 | 6-M20X500 | 200 | 165 | 720 | 6                                    | 300 | 485 | 430 | 389 | 34 | 16-φ30                                 | 250 | 425 | 370 | 330 | 32 | 12-φ30      | 1345  |
|               | 280S        | 200              | 425 | 670 | 2100 | 2000 | 1400 | 700 | 300 | 870 | 820 | 6-M20X500 | 200 | 165 | 720 | 6                                    | 300 | 485 | 430 | 389 | 34 | 16-φ30                                 | 250 | 425 | 370 | 330 | 32 | 12-φ30      | 1473  |
|               | 280M        | 200              | 425 | 670 | 2150 | 2000 | 1400 | 700 | 300 | 870 | 820 | 6-M20X500 | 200 | 165 | 720 | 6                                    | 300 | 485 | 430 | 389 | 34 | 16-φ30                                 | 250 | 425 | 370 | 330 | 32 | 12-φ30      | 1578  |
|               | 315S        | 200              | 425 | 670 | 2320 | 2000 | 1400 | 700 | 300 | 870 | 820 | 6-M20X500 | 200 | 165 | 720 | 6                                    | 300 | 485 | 430 | 389 | 34 | 16-φ30                                 | 250 | 425 | 370 | 330 | 32 | 12-φ30      | 1902  |
|               | 315M        | 200              | 425 | 670 | 2370 | 2000 | 1400 | 700 | 300 | 870 | 820 | 6-M20X500 | 200 | 165 | 720 | 6                                    | 300 | 485 | 430 | 389 | 34 | 16-φ30                                 | 250 | 425 | 370 | 330 | 32 | 12-φ30      | 2062  |
| CZ350-300-400 | 250M        | 240              | 450 | 700 | 2070 | 2000 | 1400 | 700 | 300 | 870 | 820 | 6-M20X500 | 200 | 165 | 720 | 6                                    | 350 | 555 | 490 | 448 | 38 | 16-φ33                                 | 300 | 485 | 430 | 389 | 34 | 16-φ30      | 1461  |
|               | 280S        | 240              | 450 | 700 | 2140 | 2000 | 1400 | 700 | 300 | 870 | 820 | 6-M20X500 | 200 | 165 | 720 | 6                                    | 350 | 555 | 490 | 448 | 38 | 16-φ33                                 | 300 | 485 | 430 | 389 | 34 | 16-φ30      | 1596  |
|               | 280M        | 240              | 450 | 700 | 2190 | 2000 | 1400 | 700 | 300 | 870 | 820 | 6-M20X500 | 200 | 165 | 720 | 6                                    | 350 | 555 | 490 | 448 | 38 | 16-φ33                                 | 300 | 485 | 430 | 389 | 34 | 16-φ30      | 1701  |
|               | 315S        | 240              | 450 | 700 | 2360 | 2000 | 1400 | 700 | 300 | 870 | 820 | 6-M20X500 | 200 | 165 | 720 | 6                                    | 350 | 555 | 490 | 448 | 38 | 16-φ33                                 | 300 | 485 | 430 | 389 | 34 | 16-φ30      | 2025  |
|               | 315M        | 240              | 450 | 700 | 2410 | 2000 | 1400 | 700 | 300 | 870 | 820 | 6-M20X500 | 200 | 165 | 720 | 6                                    | 350 | 555 | 490 | 448 | 38 | 16-φ33                                 | 300 | 485 | 430 | 389 | 34 | 16-φ30      | 2185  |
| CZ350-300-500 | 280S        | 250              | 450 | 750 | 2330 | 2400 | 1600 | 800 | 320 | 970 | 920 | 6-M20X500 | 230 | 225 | 835 | 6                                    | 350 | 555 | 490 | 448 | 38 | 16-φ33                                 | 300 | 485 | 430 | 389 | 34 | 16-φ30      | 1829  |
|               | 280M        | 250              | 450 | 750 | 2380 | 2400 | 1600 | 800 | 320 | 970 | 920 | 6-M20X500 | 230 | 225 | 835 | 6                                    | 350 | 555 | 490 | 448 | 38 | 16-φ33                                 | 300 | 485 | 430 | 389 | 34 | 16-φ30      | 1934  |
|               | 315S        | 250              | 450 | 750 | 2550 | 2400 | 1600 | 800 | 320 | 970 | 920 | 6-M20X500 | 230 | 225 | 835 | 6                                    | 350 | 555 | 490 | 448 | 38 | 16-φ33                                 | 300 | 485 | 430 | 389 | 34 | 16-φ30      | 2256  |
|               | 315M        | 250              | 450 | 750 | 2600 | 2400 | 1600 | 800 | 320 | 970 | 920 | 6-M20X500 | 230 | 225 | 835 | 6                                    | 350 | 555 | 490 | 448 | 38 | 16-φ33                                 | 300 | 485 | 430 | 389 | 34 | 16-φ30      | 2461  |