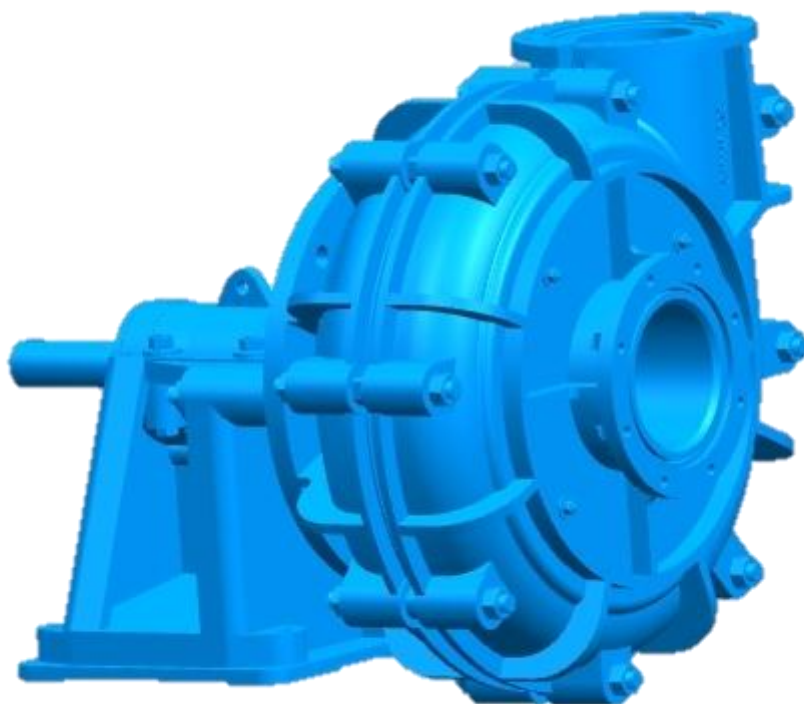


AH/HH/M/L 系列渣浆泵

Series AH/HH/M/LSlurry Pump



• 产品介绍 Product Introduction

AH/HH/M/L系列渣浆泵为卧式、悬臂离心泵，采用垂直轴向中开式双泵壳结构，泵体具有可更换的耐磨金属内衬或橡胶内衬，叶轮采用耐磨金属或橡胶材料，具有良好的耐磨、耐腐蚀性和高可靠性。产品结构合理，运行可靠，寿命长。由于该型泵具有较厚的承磨件并配重型托架，故适于输送强磨蚀，高浓度渣浆或低浓度高扬程渣浆，在泵的最大允许工作压力范围之内，可以多级串联使用。

AH/HH/M/L系列渣浆泵主要用于矿山、冶金、市政、电力、煤炭、石油、化工、建材等行业。

Series AH/HH/M/L slurry pumps are cantilevered horizontal, centrifugal slurry pumps. They adopt the vertical axial middle open type and double casing structure. They are designed for handling high abrasive, high-density slurries (Type L pump suitable for delivering less abrasive, low-density slurries) in metallurgical industry, mining, coal, power, building material and other industrial departments etc. The pumps of this type may also be installed in multistage or/and in series.

Series AH/HH/M/L slurry pumps are mainly used in mining, metallurgy, municipal, electric power, coal, petroleum, chemical, building materials and other industries.

- **产品特点 Product Feature**

- 1、 采用卧式、垂直轴向中开式双泵壳结构，泵体具有可更换的耐磨金属内衬或橡胶内衬，叶轮采用耐磨金属或橡胶材料，具有良好的耐磨、耐腐蚀性和高可靠性。
- 2、 采用筒式结构轴承组件，并选用大容量轴承设计，轴承采用脂润滑、油润滑以适应不同的使用工况。
- 3、 可调节叶轮与护板之间的间隙，保证泵的高效运行。
- 4、 轴封采用填料密封、付叶轮密封和集装式机械密封，适应不同的工况要求。
- 5、 泵与驱动机可选用直联传动、三角带传动、液力耦合器传动、减速器传动。
- 6、 泵的出口方向可根据需要按45° 间隔，旋转8个不同角度安装使用，以适应不同的现场安装条件，可以多级串联使用。

1.The flow-passing parts are made of wear-resisting metal or rubber liner,have the good wear-resisting, the corrosion resistance and the high reliability.

2.The use of high capacity bearing design, using grease or oil lubrication to adapt to different operating conditions.

3.The clearance between the impeller and the cover plate could be adjusted to ensure the pump to operate at high efficiency point.

4.The shaft seal adopts the packing seal, the expeller drive seal and the mechanical seal, which adapts to different working conditions.

5. Pump and drive machine can choose direct drive, v-belt drive, hydraulic coupling drive, reducer drive.

6.The discharge branch can be positioned at intervals of 45 degree by request and oriented to any eight positions to suit installation and application.

- 性能范围 **Range of Performance**

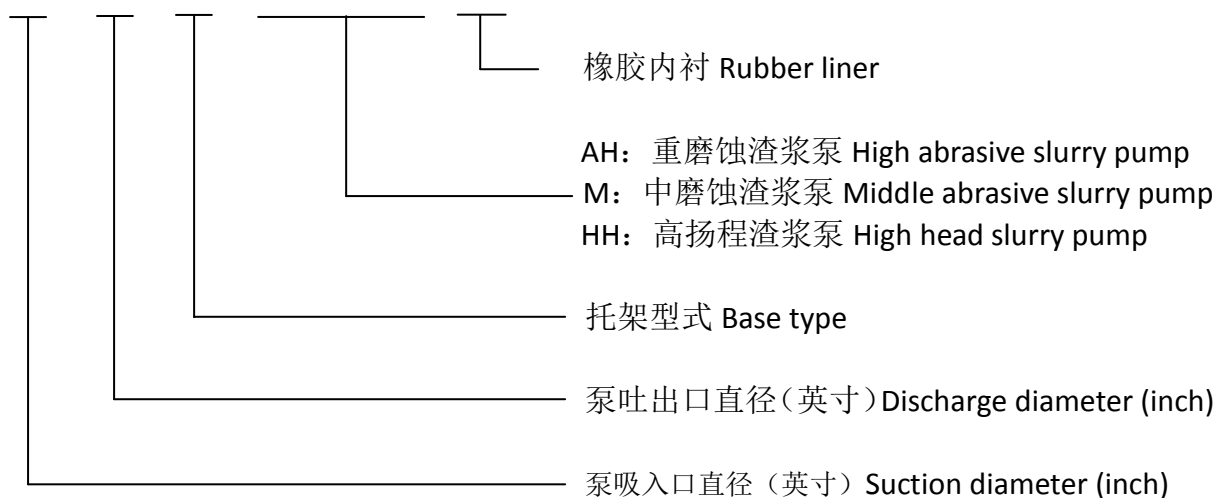
流量 CapacityQ: 10-5400m³/h

扬程 HeadH: 5-90m

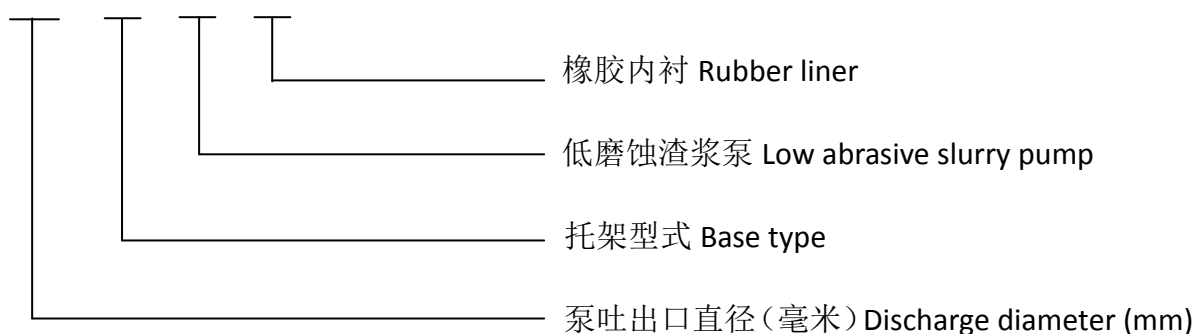
吐出口直径 Discharge diameter: 20-450mm

- 型号说明 **Model Code**

4 / 3 C - AH/M/HH (R)



100 D -L (R)

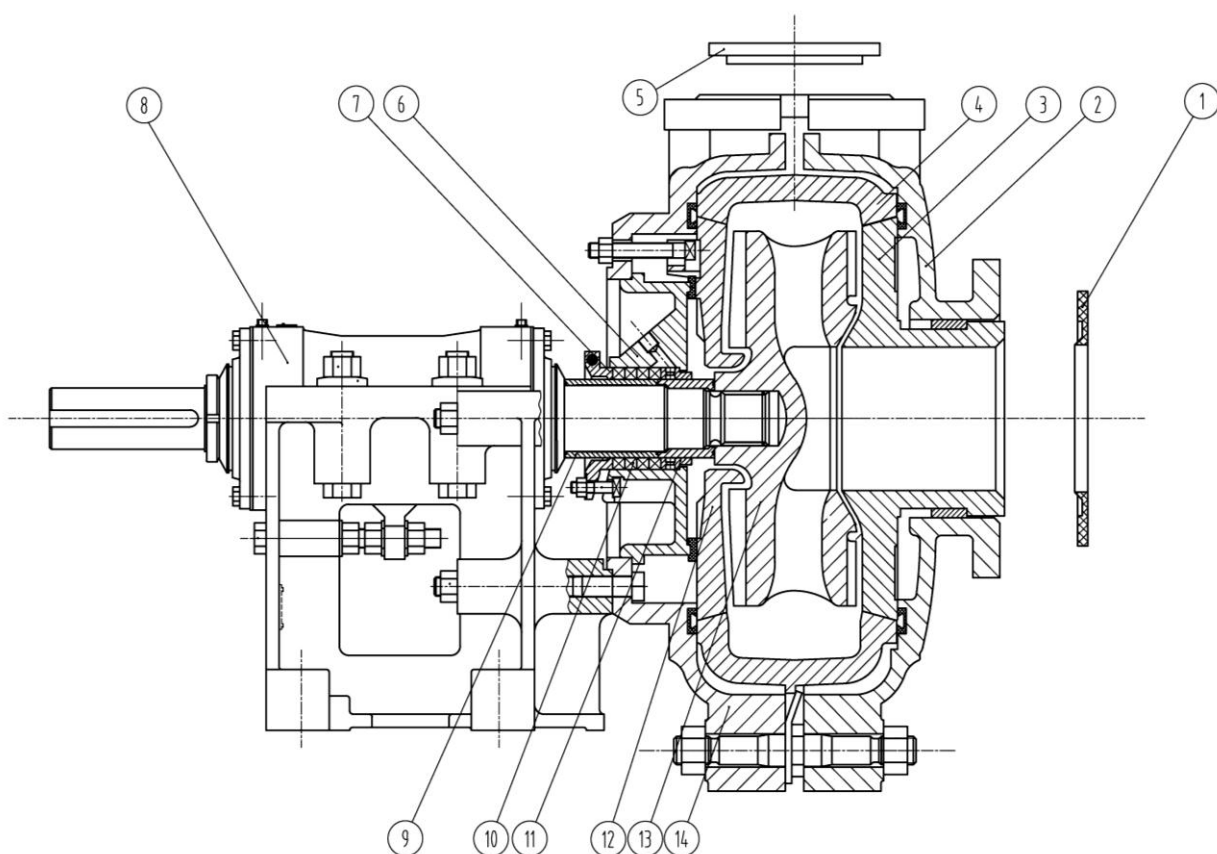


- 托架说明 **Support Type Description**

| 托架形式 Support type | A | B | C | D | E | R | F | G | S/ST | T/TU |
|-------------------------------|-----|----|----|------|-----|-----|-----|------|------|------|
| 允许配套功率 Allowable max power | 7.5 | 15 | 30 | 60 | 120 | 300 | 260 | 600 | 560 | 1200 |
| 托架重量 Support weight | 17 | 24 | 45 | 77.5 | 154 | 228 | 555 | 1006 | 546 | 1156 |

• 结构图 Construction description

1. 金属内衬 Metal Liner

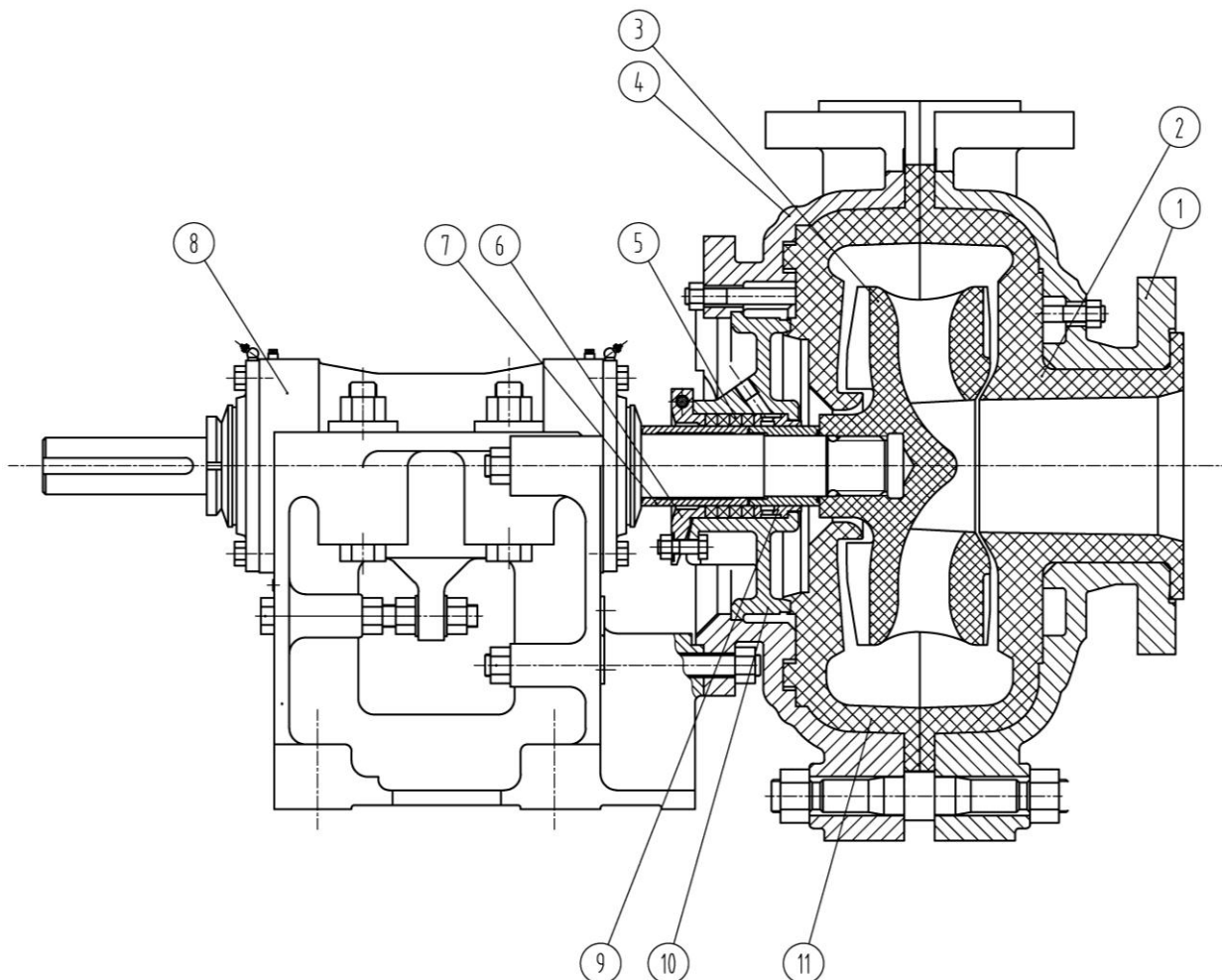


填料密封结构 (标准结构)

Packing sealing structure (standard structure)

- 1 吸入口密封垫 Suction seal 2 泵盖 Cover plate 3 前护板 Front liner
 4 护套 Liner 5 吐出口密封垫 Discharge seal 6 填料箱 Packing box
 7 填料压盖 Packing gland 8 轴承组件 Bearing assembly 9 轴套 Shaft sleeve
 10 填料 Packing 11 前水封环 Front water seal ring 12 后护板 Rear liner
 13 叶轮 Impeller 14 泵体 Frame plate

2. 橡胶内衬 Rubber Liner



填料密封结构 (标准结构)

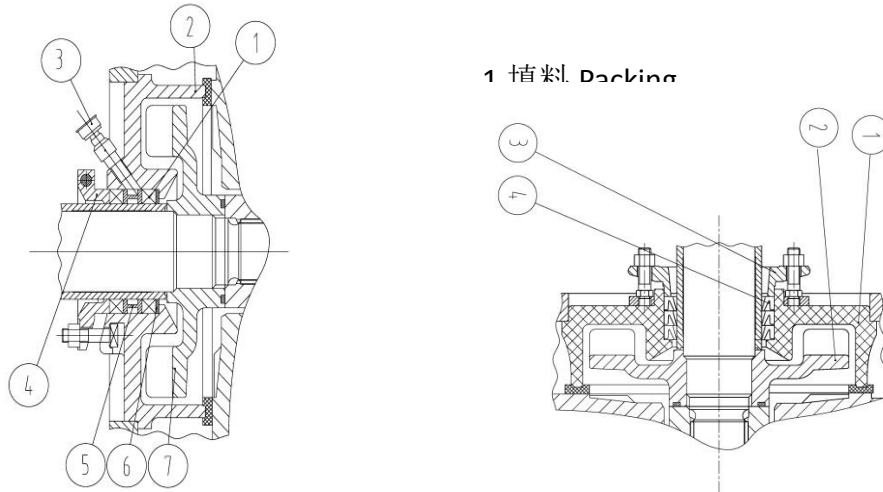
Packing sealing structure (standard structure)

- | | | |
|--------------------|--------------------------|------------------------------|
| 1 泵盖 Cover plate | 2 前护套 Cover plate Liner | 3 叶轮 Impeller |
| 4 泵体 Frame plate | 5 填料 Packing | 6 填料压盖 Packing gland |
| 7 轴套 Shaft sleeve | 8 轴承组件 Bearing assembly | 9 前水封环 Front water seal ring |
| 10 填料箱 Packing box | 11 后护套 Frame plate Liner | |

3. 其它轴封结构 Other shaft sealing structures

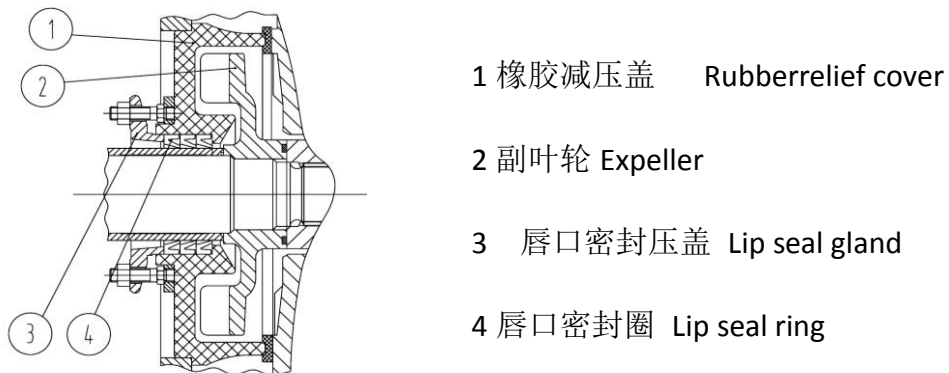
(1) 金属减压盖的副叶轮密封结构

Metal pressure relief cover with impeller seal structure

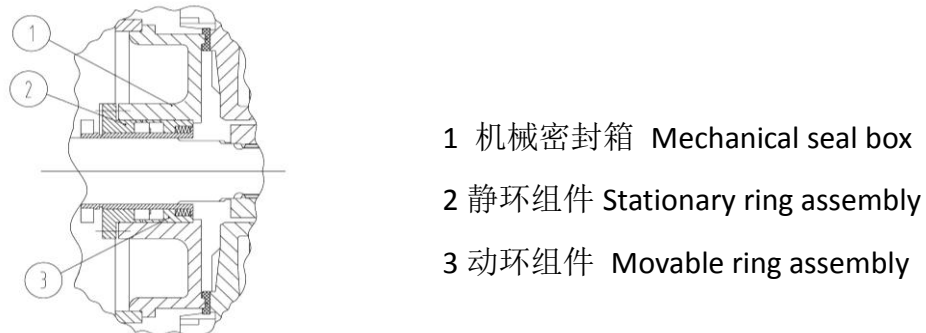


(2) 橡胶减压盖的副叶轮密封结构

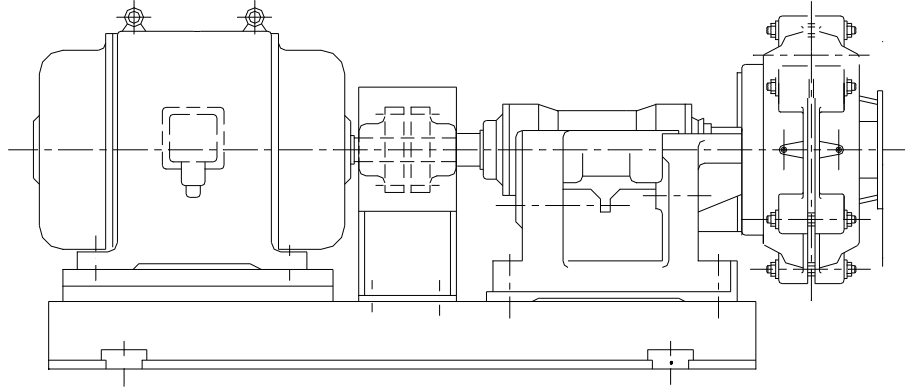
Rubber pressure relief cover with impeller seal structure



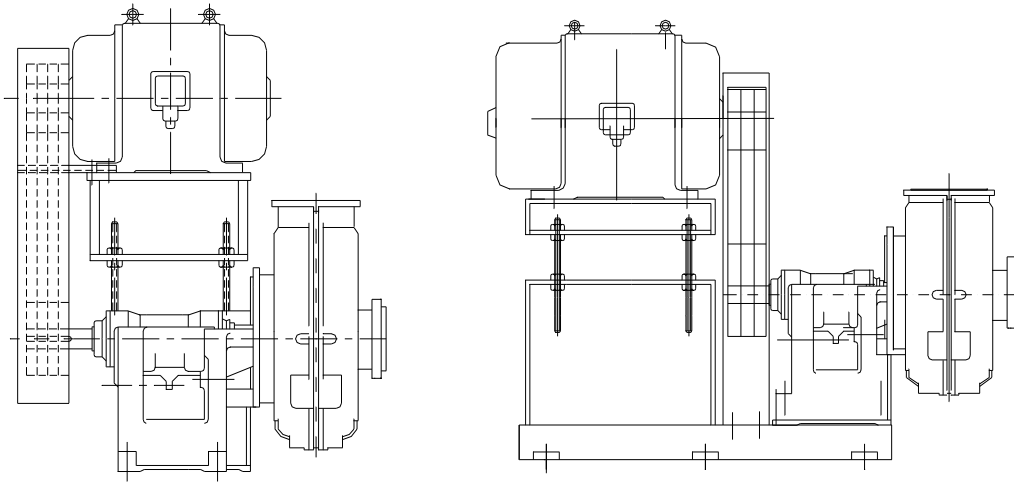
(3) 机械密封结构 Mechanical seal structure



- 传动型式 Drive type

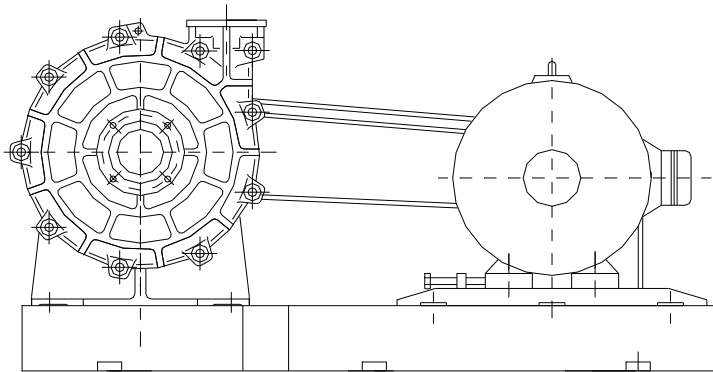


DCz 传动 DCz Drive



CV 传动 CV Drive

ZVz 传动 ZVz Drive

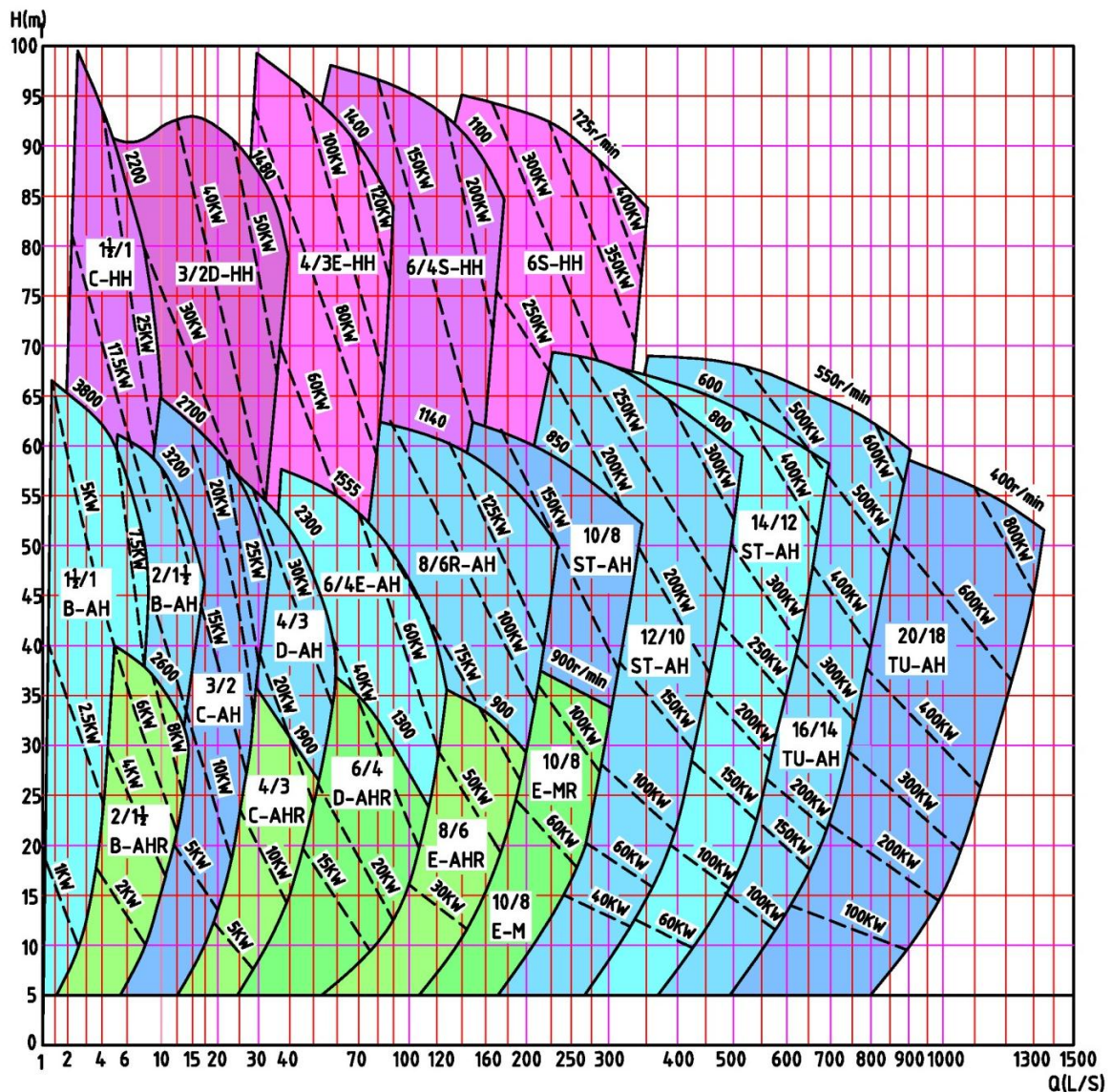


CRz 传动 CRz Drive

- 型谱 Selection Chart

M、AH、HH 型渣浆泵型谱

Type M, AH, HH Slurry Pump Selection Chart

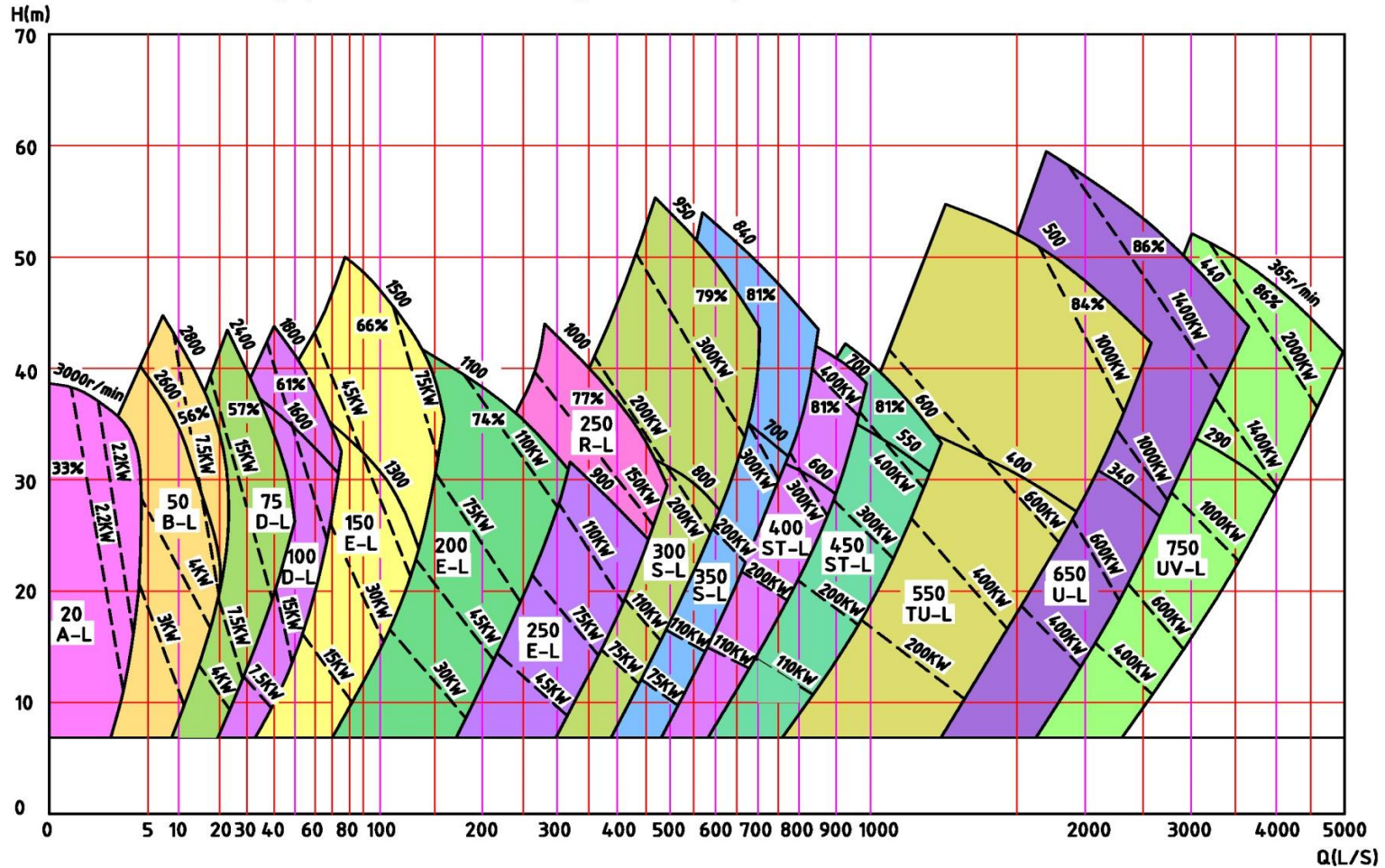


注：清水近似性能，仅供初步选型用。

NOTE: Apprximate performance for clear water, to be used for primary selection only.

L 型渣浆泵型谱

Type L Slurry Pump Selection Chart



注：清水近似性能，仅供初步选型用。

NOTE: Apprximate performance for clear water, to be used for primary selection only.

· 性能参数表 Performance List

| 型号 Type | 允许配带 最大功率 Allowable mating MAX. power (KW) | 材质 Material | | 清水性能 Clear water performance | | | | | | 泵重 Pump weight (kg) |
|------------|--|-------------|----------------|------------------------------|---------|-------------------|------------------------|-------------------------|----------------------|------------------------------|
| | | 护套 liner | 叶轮 Impeller | 流量 Capacity | | 扬程 Head (m) | 转速 Speed (r/min) | 最高效率 MAX.Eff. (%) | 汽蚀余量 NPSHr (m) | |
| | | | | (m ³ /h) | (l/s) | | | | | |
| 1.5/1B-AH | 15 | M | M | 12.6~28.8 | 3.5~8 | 6~68 | 1200~3800 | 40 | 2~4 | 91 |
| | | RU | RU | 10.8~25.2 | 3~7 | 7~52 | 1400~3400 | 35 | | 77 |
| 1.5/1C-HH | 30 | M | M | 16.2~34.2 | 4.5~9.5 | 25~92 | 1400~2200 | 20 | 2~5.5 | 318 |
| 2/1.5B-AH | 15 | M | M | 32.4~72 | 9~20 | 6~58 | 1200~3200 | 45 | 3.5~8 | 104 |
| | | RU | RU | 25.2~54 | 7~15 | 5.5~41 | 1000~2600 | 50 | 2.5~5 | 118 |
| 3/2C-AH | 30 | M | M | 39.6~86.4 | 11~24 | 12~64 | 1300~2700 | 55 | 4~6 | 191 |
| | | RU | RU | 36~75.6 | 10~21 | 13~46 | 1300~2300 | 60 | 2~4 | 154 |
| 3/2D-HH | 60 | M | M | 68.4~136.8 | 19~38 | 25~87 | 850~1400 | 47 | 3~7.5 | 750 |
| 4/3C-AH | 30 | M | M | 86.4~198 | 24~55 | 9~52 | 1000~2200 | 71 | 4~6 | 263 |
| | | RU | RU | 79.2~180 | 22~50 | 5~34.5 | 800~1800 | 59 | 3~5 | 236 |
| 4/3D-AH | 60 | M | M | 86.4~198 | 24~55 | 9~52 | 1000~2200 | 71 | 4~6 | 363 |
| | | RU | RU | 79.2~180 | 22~50 | 5~34.5 | 800~1800 | 59 | 3~5 | 290 |
| 4/3E-HH | 120 | M | M | 126~252 | 35~70 | 12~97 | 600~1400 | 50 | 2~5 | 1250 |
| 6/4D-AH | 60 | M | M | 162~360 | 40~100 | 12~56 | 800~1550 | 65 | 5~8 | 626 |
| | | RU | RU | 144~324 | 40~90 | 12~45 | 800~1350 | 65 | 3~5 | 454 |
| 6/4E-AH | 120 | M | M | 162~360 | 40~100 | 12~56 | 800~1550 | 65 | 5~8 | 728 |
| | | RU | RU | 144~324 | 40~90 | 12~45 | 800~1350 | 65 | 3~5 | 635 |
| 6/4S-HH | 560 | M | M | 324~720 | 90~200 | 30~118 | 600~1000 | 64 | 3~8 | 2880 |

| 型号 Type | 允许配带 最大功率 Allowable mating MAX. power (KW) | 材质 Material | | 清水性能 Clear water performance | | | | | | 泵重 Pump weight (kg) |
|------------|--|-------------|----------------|------------------------------|----------|-------------------|------------------------|------------------------|----------------------|------------------------------|
| | | 护套 liner | 叶轮 Impeller | 流量 Capacity | | 扬程 Head (m) | 转速 Speed (r/min) | 最高效率 MAX.Eff (%) | 汽蚀余量 NPSHr (m) | |
| | | | | (m ³ /h) | (l/s) | | | | | |
| 8/6E-AH | 120 | M | M | 360~828 | 100~230 | 10~61 | 500-1440 | 72 | 2~9 | 1473 |
| | | RU | RU | 324~720 | 90~200 | 7~49 | 400-1000 | 65 | 5~10 | 982 |
| 8/6R-AH | 300 | M | M | 360~828 | 100~230 | 10~61 | 500-1440 | 72 | 2~9 | 1655 |
| | | RU | RU | 324~720 | 90~200 | 7~49 | 400-1000 | 65 | 5~10 | - |
| 10/8E-M | 120 | M | M | 666~1440 | 185~400 | 14~60 | 600-110 | 73 | 4~10 | 1625 |
| 10/8R-M | 300 | M | M | 666~1440 | 185~400 | 14~60 | 600-110 | 73 | 4~10 | 1836 |
| 10/8ST-AH | 560 | M | M | 612~1368 | 170~380 | 11~61 | 400~850 | 71 | 4~10 | 3750 |
| | | RU | RU | 540~1188 | 150~330 | 12~50 | 400~750 | 75 | 4~12 | 3130 |
| 12/10ST-AH | 560 | M | M | 936~1980 | 260~550 | 7~68 | 300~800 | 82 | 6 | 4318 |
| | | RU | RU | 720~1620 | 200~450 | 7~45 | 300~650 | 80 | 2.5~7.5 | 3357 |
| 14/12ST-AH | 560 | M | M | 1260~2772 | 350~770 | 13~63 | 300~600 | 77 | 3~10 | 6409 |
| | | RU | RU | 1152~2520 | 320~700 | 13~44 | 300~500 | 79 | 3~8 | 4672 |
| 16/14TU-AH | 1200 | M | M | 1368~3060 | 380~850 | 11~63 | 250~550 | 79 | 4~10 | 10000 |
| 20/18TU-AH | 1200 | M | M | 2520~5400 | 700~1500 | 13~57 | 200~400 | 85 | 5~10 | 18864 |
| 20A-L | 7.5 | M | M | 2.43~10.8 | 0.65~3 | 6~37 | 1400~3000 | 30 | 2.5~3 | 46 |
| 50B-L | 15 | M | M | 16.2~76 | 4.5~20 | 9~44 | 1400~2800 | 55 | 2.5~5.5 | 90 |
| 75C-L | 30 | M | M | 18~151 | 5~42 | 4~45 | 900~2400 | 57 | 3~6 | 200 |
| 100D-L | 60 | M | M | 50~252 | 14~70 | 7~46 | 800~1800 | 60 | 2~3.5 | 320 |
| 150E-L | 120 | M | M | 115~486 | 32~135 | 12~51.5 | 800~1500 | 65 | 2~6 | 750 |
| 300S-L | 560 | M | M | 468~2538 | 130~705 | 8~60 | 400~950 | 79 | 2~10 | 2800 |

| 型号 Type | 允许配带 最大功率 Allowable mating MAX. power (KW) | 材质 Material | | 清水性能 Clear water performance | | | | | | 泵重 Pump weight (kg) |
|------------|--|-------------|----------------|------------------------------|----------|-------------------|------------------------|------------------------|----------------------|------------------------------|
| | | 护套 liner | 叶轮 Impeller | 流量 Capacity | | 扬程 Head (m) | 转速 Speed (r/min) | 最高效率 MAX.Eff (%) | 汽蚀余量 NPSHr (m) | |
| | | | | (m ³ /h) | (l/s) | | | | | |
| 350S-L | 560 | M | M | 650~2800 | 180~780 | 10~59 | 400~840 | 81 | 3~10 | 3531 |
| 400ST-L | 560 | M | M | 720~3312 | 200~920 | 7~51 | 300~700 | 80 | 2~10 | 5300 |
| | | RU | RU | 756~3312 | 210~920 | 7~37.5 | 300~600 | 85 | 2~8 | - |
| 450ST-L | 560 | M | M | 1008~4356 | 280~1210 | 9~48 | 300~600 | 80 | 2~9 | 5450 |
| | | RU | RU | 1080~4356 | 300~1210 | 9~40 | 300~550 | 87 | 3~10 | - |
| 550TU-L | 1200 | M | M | 1980~7920 | 560~2200 | 10~50 | 250~475 | 86 | 4~10 | 11000 |
| | | RU | RU | 1980~7920 | 560~2200 | 10~50 | 250~475 | 86 | 4~10 | 9350 |

注：1、“M”代表合金耐磨材料，“RU”代表橡胶材料。

2、推荐流量范围 $50\%Q' \leq Q' \leq 110\%Q'$ (Q' 相当于最高效率点流量)

3、NPSH 是指最高转速时，推荐 Q 点所对应的 NPSH 值。

NOTE:1."M":alloy wear-resistant material , "RU":rubber .

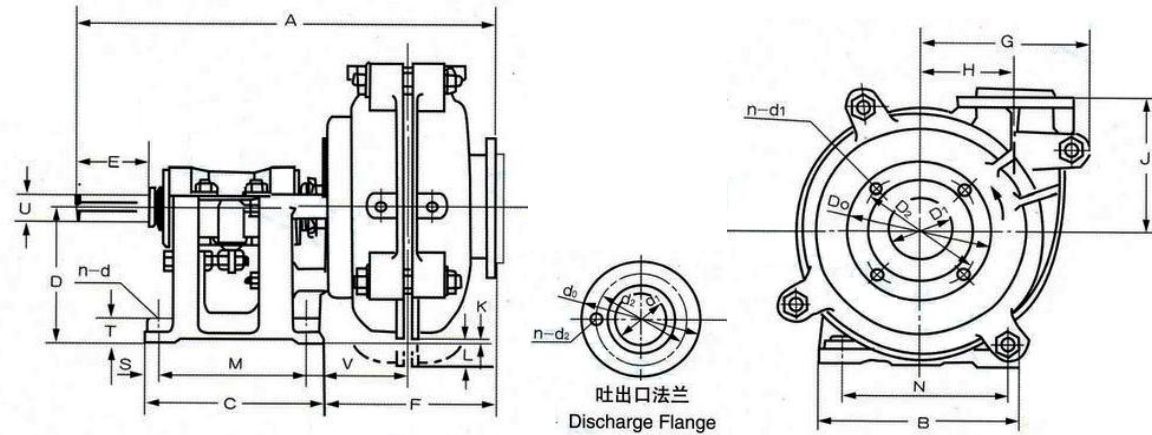
$$50\%Q' \leq Q' \leq 110\%Q'$$

2.Capacity range recommended:

($Q' \approx$ Appropriate to capacity at highest point) .

3.NPSH:Appropriate to point Q recommended at highest speed.

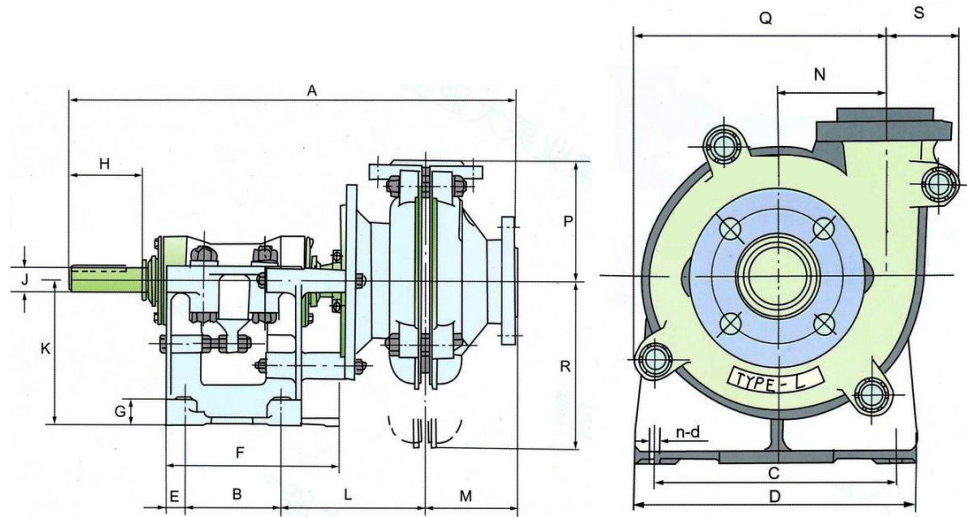
• AH/HH/M 型泵外形尺寸图 Type AH/HH/M Outline drawing



| 型号 TYPE | A | B | C | D | U | E | F | G | H | J | K | L | M | N | V | T | S | n-d | 吸入口法兰 SUCTION FLANGE | | | | 吐出口法兰 DISCHARGE FLANGE | | | | 泵重 (kg) PUMP WEIGHT | |
|--------------|------|-----|-----|-----|----|-----|-----|-----|-----|-----|----|----|-----|-----|-----|----|----|-------|-------------------------|----------------|----------------|------------------|---------------------------|----------------|----------------|------------------|------------------------|--------------|
| | | | | | | | | | | | | | | | | | | | D ₀ | D ₁ | D ₂ | n-d ₁ | d ₀ | d ₁ | d ₂ | n-d ₂ | 金属 METEL | 橡胶 RUBBER |
| 1 1/2 /1B-AH | 583 | 295 | 248 | 197 | 28 | 79 | 206 | 181 | 98 | 171 | 46 | - | 143 | 254 | 181 | 38 | 24 | 4-Φ14 | 152 | 38 | 114 | 4-Φ16 | 165 | 25 | 127 | 4-Φ16 | 91 | 77 |
| 1 1/2 /1C-HH | 759 | 406 | 311 | 254 | 42 | 121 | 306 | 270 | 194 | 254 | - | 11 | 175 | 356 | 252 | 48 | 32 | 4-Φ19 | 152 | 38 | 114 | 4-Φ17 | 152 | 25 | 114 | 4-Φ17 | 318 | - |
| 2/1 1/2 B-AH | 592 | 295 | 248 | 197 | 28 | 79 | 317 | 205 | 114 | 184 | 33 | - | 143 | 254 | 184 | 38 | 24 | 4-Φ14 | 184 | 51 | 146 | 4-Φ19 | 165 | 38 | 127 | 4-Φ19 | 104 | 118 |
| 3/2C-AH | 768 | 406 | 311 | 254 | 42 | 121 | 281 | 238 | 138 | 210 | 71 | - | 175 | 356 | 233 | 48 | 32 | 4-Φ19 | 216 | 76 | 178 | 4-Φ19 | 184 | 51 | 146 | 4-Φ19 | 191 | 154 |
| 3/2D-HH | 986 | 492 | 364 | 330 | 65 | 164 | 389 | 384 | 254 | 368 | - | 51 | 213 | 432 | 298 | 64 | 38 | 4-Φ22 | 216 | 76 | 178 | 8-Φ19 | 203 | 51 | 165 | 4-Φ19 | 750 | - |
| 4/3C-AH | 843 | 406 | 311 | 254 | 42 | 121 | 354 | 292 | 149 | 262 | 24 | - | 175 | 356 | 270 | 48 | 32 | 4-Φ19 | 279 | 10 | 235 | 4-Φ22 | 229 | 76 | 191 | 4-Φ22 | 263 | 236 |
| 4/3D-AH | 943 | 492 | 364 | 330 | 65 | 164 | 353 | 292 | 149 | 262 | 10 | - | 213 | 432 | 279 | 64 | 38 | 4-Φ22 | 279 | 10 | 235 | 4-Φ22 | 229 | 76 | 191 | 4-Φ22 | 363 | 290 |
| 4/3E-HH | 1240 | 622 | 448 | 457 | 80 | 222 | 492 | 492 | 330 | 432 | - | - | 257 | 546 | 381 | 76 | 54 | 4-Φ29 | 254 | 10 | 210 | 8-Φ19 | 254 | 76 | 210 | 8-Φ19 | 1250 | - |
| 6/4D-AH | 1020 | 492 | 364 | 330 | 65 | 164 | 421 | 406 | 229 | 338 | 11 | - | 213 | 432 | 318 | 64 | 38 | 4-Φ22 | 337 | 15 | 292 | 4-Φ22 | 279 | 10 | 235 | 4-Φ22 | 626 | 454 |
| 6/4E-AH | 1178 | 622 | 448 | 457 | 80 | 222 | 433 | 406 | 229 | 338 | 13 | - | 257 | 546 | 351 | 76 | 54 | 4-Φ29 | 337 | 15 | 292 | 4-Φ22 | 279 | 10 | 235 | 4-Φ22 | 728 | 635 |
| 6/4S-HH | 1668 | 920 | 780 | 450 | 12 | 280 | 596 | 616 | 413 | 546 | - | 13 | 640 | 760 | 353 | 90 | 70 | 4-Φ35 | 337 | 15 | 292 | 8-Φ22 | 305 | 10 | 260 | 8-Φ22 | 2880 | - |
| 8/6E-AH | 1302 | 622 | 448 | 457 | 80 | 222 | 557 | 551 | 318 | 460 | - | 62 | 257 | 546 | 402 | 76 | 54 | 4-Φ29 | 406 | 20 | 356 | 8-Φ22 | 368 | 15 | 324 | 8-Φ22 | 1473 | 982 |
| 8/6R-AH | 1360 | 680 | 590 | 350 | 85 | 215 | - | 511 | 318 | 460 | - | 17 | 490 | 560 | 312 | 70 | 50 | 4-Φ28 | 406 | 20 | 356 | 8-Φ22 | 368 | 15 | 324 | 8-Φ22 | 1655 | - |

| | | | | | | | | | | | | | | | | | | | | | | | | | | | | |
|------------|------|-----|-----|-----|----|-----|-----|-----|-----|-----|----|----|-----|-----|-----|----|----|-------|-----|----|-----|-------|-----|----|-----|-------|------|-------|
| 8/6T-AH | 2275 | 115 | 104 | 650 | 15 | 350 | 852 | 835 | 584 | 813 | - | 16 | 880 | 900 | 538 | 12 | 80 | 4-Φ48 | 432 | 20 | 375 | 8-Φ29 | 432 | 15 | 375 | 8-Φ29 | 6586 | - |
| 10/8E-M | 1337 | 622 | 448 | 457 | 80 | 222 | 584 | 613 | 381 | 470 | - | 83 | 257 | 546 | 403 | 76 | 54 | 4-Φ29 | 502 | 25 | 445 | 8-Φ29 | 432 | 20 | 375 | 8-Φ29 | 1625 | 1202 |
| 10/8R-M | 1395 | 680 | 590 | 350 | 85 | 215 | - | 613 | 381 | 470 | 27 | 19 | 490 | 560 | 314 | 70 | 50 | 4-Φ28 | 502 | 25 | 445 | 8-Φ29 | 432 | 20 | 375 | 8-Φ29 | 1836 | - |
| 10/8ST-AH | 1748 | 115 | 780 | 650 | 12 | 280 | 692 | 673 | 419 | 635 | - | - | 620 | 900 | 439 | 12 | 80 | 4-Φ48 | 502 | 25 | 445 | 8-Φ29 | 432 | 20 | 375 | 8-Φ29 | 3750 | 3130 |
| 12/10ST-AH | 1816 | 115 | 780 | 650 | 12 | 280 | 762 | 755 | 464 | 674 | - | 65 | 620 | 900 | 461 | 12 | 80 | 4-Φ48 | 527 | 30 | 470 | 12-Φ | 527 | 25 | 470 | 12-Φ | 4318 | 3357 |
| 14/12ST-AH | 1873 | 115 | 780 | 650 | 12 | 280 | 812 | 937 | 629 | 832 | - | 22 | 620 | 900 | 486 | 12 | 80 | 4-Φ48 | 585 | 35 | 521 | 12-Φ | 552 | 30 | 495 | 12-Φ | 6409 | 4672 |
| 16/14TU-AH | 2320 | 146 | 105 | 900 | 15 | 350 | 953 | 104 | 660 | 889 | - | 84 | 860 | 120 | 597 | 15 | 95 | 4-Φ79 | 705 | 40 | 641 | 12-Φ | 673 | 35 | 610 | 12-Φ | 1000 | - |
| 20/18TU-AH | 2475 | 146 | 105 | 900 | 15 | 350 | 110 | 142 | 940 | 123 | - | 42 | 860 | 120 | 615 | 15 | 95 | 4-Φ79 | 900 | 50 | 800 | 12-Φ | 900 | 46 | 800 | 12-Φ | 1886 | 15921 |
| 6S-H | 1700 | 920 | 780 | 450 | 12 | 280 | 622 | 625 | 415 | 615 | - | 15 | 640 | 760 | 382 | 90 | 70 | 4-Φ35 | 380 | 15 | 320 | 8-Φ27 | 420 | 15 | 360 | 8-Φ27 | - | - |

• L型泵外形尺寸图 Type L Outline drawing



| 型号 TYPE | A | B | C | D | E | F | G | H | J | K | L | M | N | n-d | 泵头尺寸 PUMP HEAD SIZE | | | | 吸入口法兰 SUCTION FLANGE | | | | 吐出口法兰 DISCHARGE FLANGE | | | |
|------------|------|-----|-----|------|----|-----|-----|-----|-----|-----|-----|-----|-----|-------|------------------------|-----|-----|-----|-------------------------|------------|---------------------------|-----------|---------------------------|------------|---------------------------|-----------|
| | | | | | | | | | | | | | | | S | Q | R | P | 外径 O.D. | 内径 I.D. | 孔中心距 C-C BET. HOLES | 孔 HOLE | 外径 O.D. | 内径 I.D. | 孔中心距 C-C BET. HOLES | 孔 HOLE |
| | | | | | | | | | | | | | | | | | | | | | | | | | | |
| 20A-L(R) | 461 | 159 | 241 | 286 | 25 | 210 | 28 | 57 | 20 | 145 | 89 | 90 | 86 | 4-Φ18 | 144 | | | 128 | 114 | 25 | 83 | 4-Φ14 | 102 | 20 | 73 | 4-Φ14 |
| 50B-L | 624 | 143 | 254 | 295 | 24 | 248 | 38 | 80 | 28 | 197 | 191 | 136 | 114 | 4-Φ14 | | 155 | | 163 | 184 | 75 | 146 | 4-Φ19 | 165 | 50 | 127 | 4-Φ19 |
| 75C-L | 813 | 175 | 356 | 406 | 32 | 311 | 48 | 120 | 42 | 254 | 253 | 163 | 146 | 4-Φ19 | 102 | | | 204 | 229 | 100 | 191 | 4-Φ19 | 203 | 75 | 165 | 4-Φ19 |
| 100D-L | 950 | 213 | 432 | 492 | 38 | 364 | 64 | 163 | 65 | 330 | 280 | 187 | 190 | 4-Φ22 | 118 | | | 262 | 305 | 150 | 260 | 4-Φ22 | 229 | 100 | 191 | 4-Φ22 |
| 150E-L | 1218 | 257 | 546 | 622 | 54 | 448 | 76 | 220 | 80 | 457 | 376 | 237 | 248 | 4-Φ29 | 155 | | | 324 | 368 | 200 | 324 | 8-Φ19 | 305 | 150 | 260 | 8-Φ19 |
| 300S-L(R) | 1720 | 640 | 760 | 920 | 70 | 780 | 90 | 280 | 120 | 450 | 415 | 300 | 475 | 4-Φ35 | 265 | 599 | 634 | 570 | 560 | 350 | 500 | 12-Φ26 | 530 | 300 | 470 | 12-Φ26 |
| 350S-L | 1776 | 640 | 760 | 920 | 70 | 780 | 90 | 280 | 120 | 450 | 425 | 340 | 530 | 4-Φ35 | 295 | 643 | 691 | 620 | 640 | 400 | 580 | 12-Φ26 | 590 | 350 | 530 | 12-Φ26 |
| 400ST-L | 1840 | 620 | 900 | 1150 | 80 | 780 | 125 | 280 | 120 | 650 | 480 | 375 | 600 | 4-Φ48 | 343 | 747 | 809 | 740 | 720 | 450 | 650 | 12-Φ33 | 685 | 400 | 615 | 12-Φ33 |
| 450ST-L | 1875 | 620 | 900 | 1150 | 80 | 780 | 125 | 280 | 120 | 650 | 500 | 400 | 660 | 4-Φ48 | 375 | 814 | 872 | 800 | 770 | 500 | 700 | 12-Φ33 | 740 | 450 | 670 | 12-Φ33 |

| | | | | | | | | | | | | | | | | | | | | | | | | | | |
|---------|------|-----|------|------|----|------|-----|-----|-----|-----|-----|-----|-----|-------|-----|------|------|-----|-----|-----|-----|--------|-----|-----|-----|--------|
| 550TU-L | 2400 | 860 | 1200 | 1460 | 93 | 1050 | 150 | 350 | 150 | 900 | 625 | 500 | 860 | 4-Φ79 | 453 | 1055 | 1142 | 975 | 975 | 650 | 880 | 12-Φ39 | 900 | 550 | 800 | 12-Φ39 |
|---------|------|-----|------|------|----|------|-----|-----|-----|-----|-----|-----|-----|-------|-----|------|------|-----|-----|-----|-----|--------|-----|-----|-----|--------|