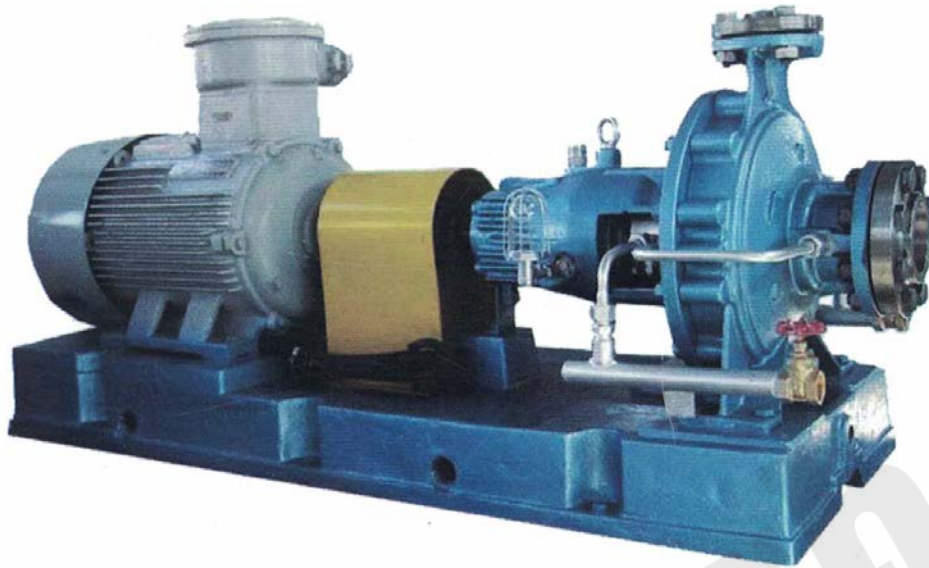


# ZA 系列化工离心泵

## ZA Series Chemical Centrifugal Pump



### • 公司简介 Enterprise Profile

石家庄翔浩机械有限公司，是以矿山、电力用渣浆泵、脱硫泵、疏浚泵、清水泵为主的工业水泵专业生产企业，集研发、设计、制造、营销、服务为一体，具有严格的质量保证及科学完善的服务体系。

公司技术力量雄厚，拥有资深的水泵设计、制造、应用工程师团队，立足持续为用户带来更大价值，不断提高服务水平与质量。我们不仅仅向用户提供产品，还可依据客户的工矿需求，采用系统一体化的设计方法，为客户提供渣浆输送的一整套解决方案，使得用户在环保、节能、运营持久、降低产品使用成本等方面取得了显著效果。

公司坚持“技术创新化、管理严格化、生产定制化、服务专业化”的经营理念，全力提升企业现代化管理水平，使企业实现了持续快速发展。

公司的主要产品为ZGB、ZJ、AH、HH、M型渣浆泵、WN型挖泥泵、TL型脱硫泵、G型砂砾泵、SP型液下泵、HDSN型双吸泵、WQ型潜污泵、IS型清水泵等，广泛应用于环境保护工程、污水处理、城市工厂给排水、各种水利工程、冶金、矿山、电力、煤炭、疏浚、采砂、石油化工、建材、火电烟气脱硫等等诸多领域。国内市场占有率逐年递增，国际市场的占有份额不断提升，产品出口至东南亚、北美、欧洲、中亚、东亚等多个国家和地区。

长期以来，本公司坚持“诚信为本、客户至上”的原则，与众多厂家建立了长期合作关系，并赢得了广大客户的一致好评！

坚信凭借我们更优的产品，完善的服务，良好的信誉，必将赢得更多用户！

Shijiazhuang Soarho Machinery CO.,LTD, is a professional manufacture base of slurry pump, mine pump, FGD pump, dredge pump and clean water pump, combining scientific research, design, manufacture, marketing and service in one, with strict quality control system and science complete service system.

Having strong technical force, the company which has a senior pump design, manufacturing and application engineer team, continues to improves level and quality of service in order to bring greater value to the users. We not only provide products to users, but also provide a complete solution for slurry transportation for user to achieve a significant effect in environmental protection , energy saving , lasting trouble-free operation and cost reduction and so on, adopting a systematic and integrated design method and according to the working condition and the needing of user.

Adhering to the concept of 'technical innovation', 'strict management', 'customized production' and 'professional service', we strive to improve the modern management level and make the enterprises achieve sustained and rapid development.

The main products of the company are ZGB,ZJ,AH,HH,M slurry pumps ,WN dredge pumps , TL FGD pumps, G gravel pumps, SP sump pumps, HDSN double suction pumps. WQ submersible sewage pumps, IS clean water pumps and so on. They are widely used in many fields, such as environmental protection engineering, sewage treatment, municipal factory and water supply and drainage, various water conservancy projects, metallurgy, mine, electric power, coal, dredging, sand mining, petrochemical, building materials, thermal power flue gas desulfurization etc. The share of domestic market is increasing year by year, and the share of the international market is increasing. Products exported to Southeast Asia, North America, Europe, Central Asia, East Asia and many other countries and regions.

For a long time, adhering to the principle of "honesty and customer first", our company has established a long-term cooperative relationship with many manufacturers, and has won the praise of the customers.

Firmly believe that we will win more users by virtue of our better products, perfect service and good reputation.

## ● 产品介绍 Product Introduction

ZA系列离心式化工流程泵是在吸收国内外先进技术的基础上，按照API610（第八版）和VDMA24297（轻/中）规范而设计生产的产品。本泵适合输送各种温度和浓度的硫酸、硝酸、盐酸和磷酸等无机酸和有机酸，各种氢氧化钠和碳酸钠等碱性溶液，各种盐溶液，各种液态石油化工产品、有机化合物以及其他有腐蚀的液体。该泵适用于炼油厂、石油化工、煤加工工业、低温工程化学工业、造纸、纸浆业、制糖业和普通工业水厂、海水淡化厂、发电厂、环保业和船舶业等行业。

Model ZA centrifugal process pump is designed in accordance with API610, VDMA24297 (light/middle type) and GB/T3215-82 based on domestic and foreign advanced technology. This Chemical process pump can be used to transport the vitriol, nitric acid, hydrochloric acid, phosphoric acid etc. Inorganic and organic acid solutions of various temperatures and concentrations; the sodium hydroxide, sodium carbonate etc. alkaline solutions of various temperatures and concentrations; various salt solutions; various liquid petrochemical products, organic chemical compounds and other corrosive liquids. Suitable for oil refinery, petrochemical industry, coal process engineering, sub-zero engineering, paper making, sugar refinery, water works, sea water desalt plant, power plant, environmental protection project, ship industry and so on.

## ● 产品特点Product Feature

- 1、该泵为单级、卧式、离心泵，泵体为脚支撑。采用单吸径向叶轮，根据使用条件，通过前后防磨环及平衡孔进行水力平衡。

This pump is single-stage horizontal radial cut-opened spiral centrifugal pump. The pump casing is foot supported. The impeller of this pump is a single-suction radial one, and both front and rear oral rings and balancing hole are used to balance the axial force upon the conditions of use.

- 2、标准管路按照API规范设计，吸入及排出管法兰的额定压力等级相同。

The standard pipeline is designed per API. The rated pressure classes of the flanges on both suck-in and drain-out pipelines.

3、采用后拆式设计，拆检时无需拆下管道和电机，便于维修。

Adopt post-disassembly design, no need to remove pipes and motors during disassembly and inspection, which is convenient for maintenance.

4、叶轮形式有开式和闭式两种形式，闭式叶轮对工况适应性强，效率高、汽蚀性能好；开式叶轮适于输送汽液两相流和含固体颗粒浓度大的液体。

Close and open two types of impeller are used. The closed impeller can move well under various conditions, with a high efficiency and a good cavitation performance. The opened impeller is suitable for transporting the steam-liquid two-phase fluid or the liquid containing solid grains and big concentration.

5、泵的各种密封型式可互换，改型是密封箱不必另行加工。

Various seal types of pump can be interchangeable, sealing box does not need to be replaced when changing

6、从电机端看，泵为顺时针旋转。

Viewed from motor end, the rotating direction of pump is clockwise.

### ● 性能范围 Range of Performance

流量 Capacity Q: 5-2400m<sup>3</sup>/h

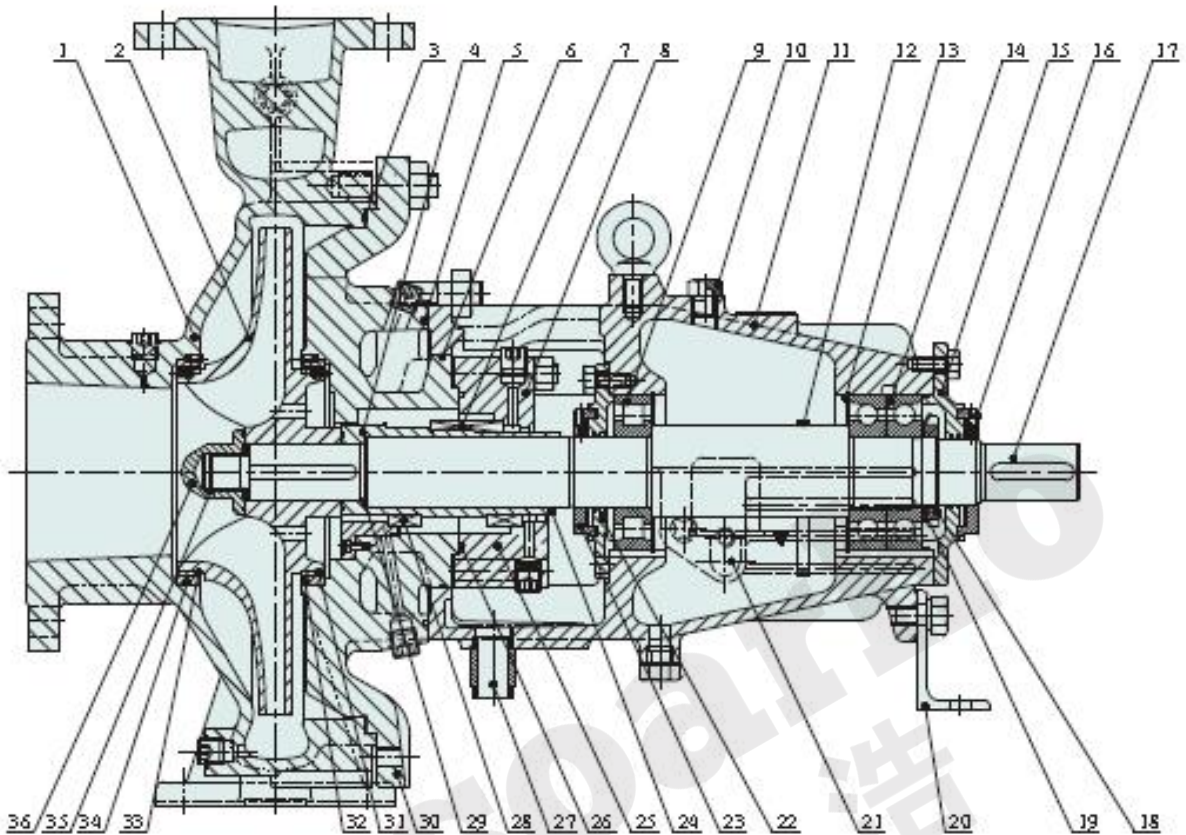
扬程 Head H: 3-250m

吐出口直径 Outlet diameter: 25-400mm

### ● 型号说明 Model Code

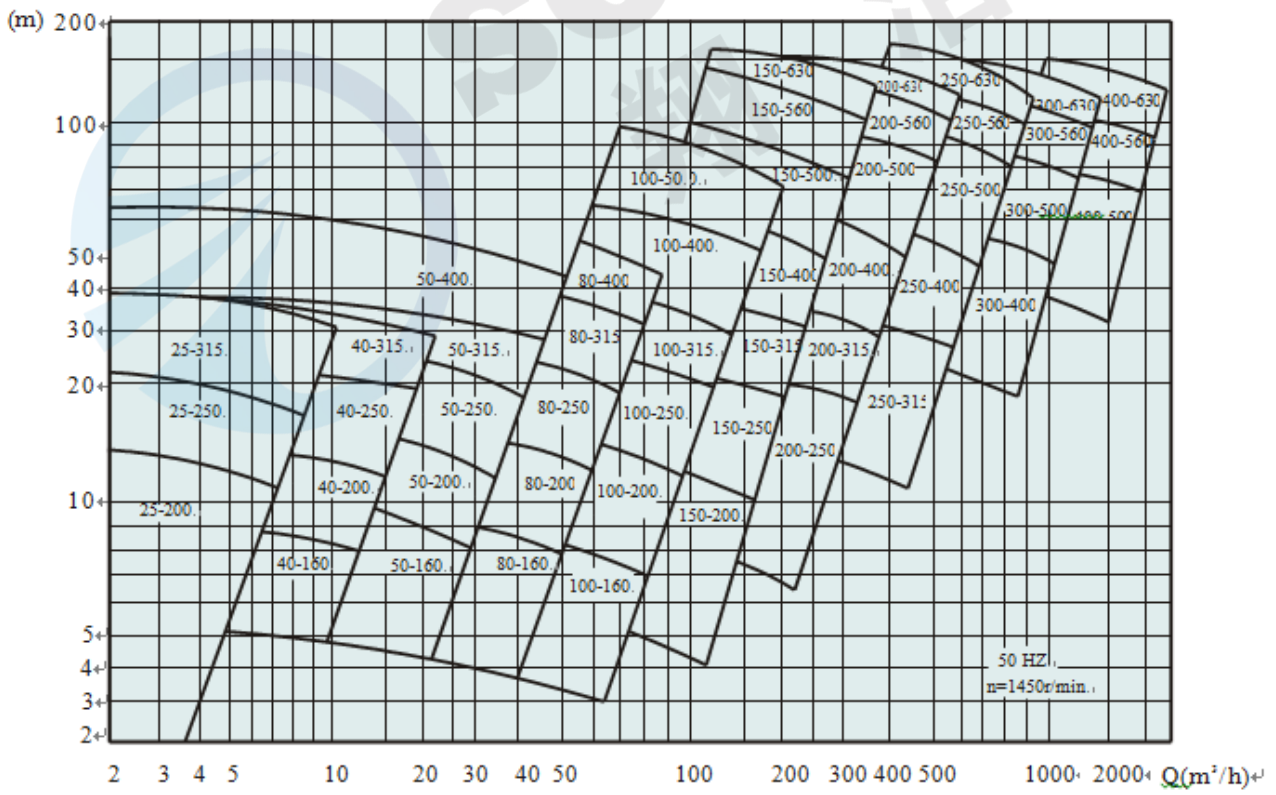
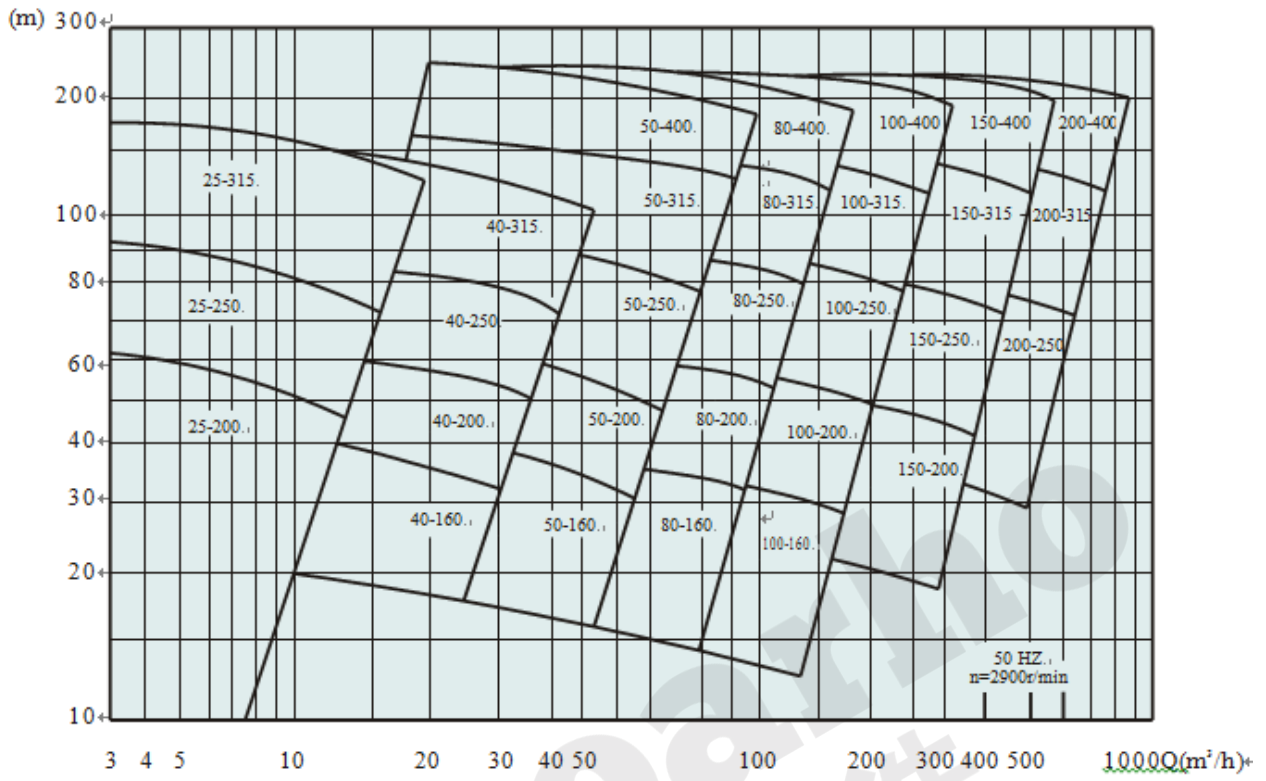


● 结构图 Construction description



- |                                   |                             |                             |                         |
|-----------------------------------|-----------------------------|-----------------------------|-------------------------|
| 1 泵体 Pump casing                  | 2 叶轮 Impeller               | 3 垫片 Gasket                 | 4 轴套 Shaft sleeve       |
| 5 O型圈 O-ring                      | 6 O型圈 O-ring                | 7 机械密封 Mechanical seal      | 8 密封盖 Sealing cover     |
| 9 轴承 Bearing                      | 10 放气塞 Air relief cock      | 11 悬架 Bearing Bracket       | 12 甩油环 Lubricating ring |
| 13 卡环 Circlip                     | 14 轴承 Bearing               | 15 轴承压盖 Bearing cover       | 16 防尘圈 Dustproof ring   |
| 17 轴 Shaft                        | 18 轴承螺母 Bearing nut         | 19 止退垫圈 Gasket              |                         |
| 20 悬架支架 Suspension bracket        | 21 油标 Oil leveler           | 22 轴承压盖 Bearing cover       |                         |
| 23 防尘圈 Dustproof ring             | 24 轴套 Shaft sleeve          | 25 密封盖 Sealing cover        |                         |
| 26 O型圈 O-ring                     | 27 排液管 Drainage pipe        | 28 机械密封 Mechanical seal     |                         |
| 29 垫片 Gasket                      | 30 泵盖 Pump cover            | 31 叶轮密封环 Impeller seal ring |                         |
| 32 泵体密封环 seal ring of pump casing | 33 叶轮密封环 Impeller seal ring |                             |                         |
| 34 泵体密封环 seal ring of pump casing | 35 钢丝螺套 Threaded insert     | 36 叶轮螺母 Impeller nut        |                         |

● 型谱 Selection Chart



● 性能参数表 Performance List

| 型号<br>Pump type | 叶轮型式<br>Impeller form | 转速<br>Speed<br>N(rpm) | 流量<br>Capacity<br>Q(m <sup>3</sup> /h) | 扬程<br>Head<br>H(m) | 汽蚀<br>余量<br>NPSHr<br>(m) | 效率<br>Efficiency<br>η(%) | 电机 Motor        |                 |                 |
|-----------------|-----------------------|-----------------------|--|--------------------|--------------------------|--------------------------|-----------------|-----------------|-----------------|
|                 |                       |                       |  |                    |                          |                          | 比重 SG<br>γ=1.00 | 比重 SG<br>γ=1.35 | 比重 SG<br>γ=1.84 |
| ZA25-200        | A                     | 2900                  | 11.5                                   | 49                 | 1.5                      | 42                       | Y132S1-2 5.5KW  | Y132S2-2-7.5KW  | Y160M1-2 11KW   |
|                 | A                     | 1450                  | 5.8                                    | 12                 | 0.6                      | 38                       | Y90S-4 1.1.KW   | Y90S-4 1.1.KW   | Y90L-4-1.5KW    |
|                 | B                     | 2900                  | 10.5                                   | 42                 | 1.5                      | 42                       | Y112M-2 4Kw     | Y132S1-2 5.5KW  | Y132S2-2 7.5KW  |
|                 | B                     | 1450                  | 5.4                                    | 11                 | 0.6                      | 38                       | Y90S-4 1.1.KW   | Y90S-4 1.1.KW   | Y90S-4 1.1.KW   |
|                 | C                     | 2900                  | 9                                      | 36                 | 1.5                      | 42                       | Y100L-2 3Kw     | Y112M-2 4Kw     | Y132S1-2 5.5KW  |
|                 | C                     | 1450                  | 4.6                                    | 8.5                | 0.6                      | 38                       | Y90S-4 1.1.KW   | Y90S-4 1.1.KW   | Y90S-4 1.1.KW   |
|                 | D                     | 2900                  | 7.5                                    | 28                 | 1.5                      | 42                       | Y90L-2 2.2Kw    | Y100L-2 3Kw     | Y112M-2 4Kw     |
|                 | D                     | 1450                  | 4                                      | 6.5                | 0.6                      | 38                       | Y90S-4 1.1.KW   | Y90S-4 1.1.KW   | Y90S-4 1.1.KW   |
|                 | E                     | 2900                  | 5.5                                    | 16                 | 1.5                      | 42                       | Y90S-2 1.5Kw    | Y90S-2 1.5Kw    | Y100L-2 3Kw     |
|                 | E                     | 1450                  | 3                                      | 4                  | 0.6                      | 38                       | Y90S-4 1.1.KW   | Y90S-4 1.1.KW   | Y90S-4 1.1.KW   |
| ZA25-250        | A                     | 2900                  | 10.5                                   | 80                 | 1.2                      | 28                       | Y160M1-2 11kw   | Y160m2-2 15Kw   | Y160L-2 18.5kw  |
|                 | A                     | 1450                  | 7.5                                    | 18                 | 1                        | 23                       | Y100L1-4 2.2kw  | Y100L2-4 3Kw    | Y112M-4 4Kw     |
|                 | B                     | 2900                  | 9.7                                    | 68                 | 1.2                      | 28                       | Y132S2-2 7.5KW  | Y160M1-2 11KW   | Y160m2-2 15Kw   |
|                 | B                     | 1450                  | 7                                      | 16                 | 1                        | 23                       | Y100L1-4 2.2kw  | Y100L2-4 3Kw    | Y112M-4 4Kw     |
|                 | C                     | 2900                  | 9                                      | 50                 | 1.2                      | 28                       | Y132S1-2 5.5KW  | Y160M1-2 11KW   | Y160m2-2 15Kw   |
|                 | C                     | 1450                  | 6.5                                    | 11.5               | 1                        | 23                       | Y100L1-4 2.2kw  | Y100L1-4 2.2kw  | Y100L2-4 3Kw    |
|                 | D                     | 2900                  | 8.5                                    | 30                 | 1.2                      | 28                       | Y132S2-2 5.5KW  | Y160M1-2 11KW   | Y160m2-2 15Kw   |
|                 | D                     | 1450                  | 6                                      | 6.5                | 1                        | 23                       | Y90S-4 1.1.KW   | Y90L-4-1.5KW    | Y100L1-4 2.2kw  |
|                 | E                     | 2900                  |  |                    | 1.2                      | 28                       | Y112M-2 4Kw     | Y132S1-2 5.5KW  | Y132S2-2 7.5KW  |
| ZA25-315        | A                     | 2900                  | 18.5                                   | 130                | 1.2                      | 28                       | Y200L1-2 30KW   | Y225M-2 45KW    | Y250M-2 55KW    |
|                 | A                     | 1450                  | 9.5                                    | 32                 | 0.7                      | 25                       | Y132S-4 5.5KW   | Y132M-4 7.5KW   | Y160M-4 11KW    |
|                 | B                     | 2900                  | 17.5                                   | 115                | 1.2                      | 28                       | Y200L1-2 30KW   | Y200L2-2 37KW   | Y225M-2 45KW    |
|                 | B                     | 1450                  | 8.7                                    | 29                 | 0.7                      | 25                       | Y112M-4 4KW     | Y132S-4 5.5KW   | Y132M-4 7.5KW   |
|                 | C                     | 2900                  | 16                                     | 100                | 1.2                      | 28                       | Y180M-2 22KW    | Y200L1-2 30KW   | Y225M-2 45KW    |
|                 | C                     | 1450                  | 7.5                                    | 25                 | 0.7                      | 25                       | Y100L2-4 3KW    | Y112M-4 4KW     | Y132S-4 5.5KW   |
|                 | D                     | 2900                  | 14                                     | 90                 | 1.2                      | 28                       | Y160L-2 18.5KW  | Y200L1-2 30KW   | Y200L2-2 37KW   |
|                 | D                     | 1450                  | 7                                      | 22                 | 0.7                      | 25                       | Y100L2-4 3KW    | Y112M-4 4KW     | Y132S-4 5.5KW   |

| 型号<br>Pump type | 叶轮型式<br>Impeller form | 转速<br>Speed<br>N(rpm) | 流量<br>Capacity<br>Q(m3/h) | 扬程<br>Head<br>H(m) | 汽蚀<br>余量<br>NPSHr<br>(m) | 效率<br>Efficiency<br>$\eta$ (%) | 电机 Motor               |                        |                        |
|-----------------|-----------------------|-----------------------|---------------------------|--------------------|--------------------------|--------------------------------|------------------------|------------------------|------------------------|
|                 |                       |                       |                           |                    |                          |                                | 比重 SG<br>$\gamma=1.00$ | 比重 SG<br>$\gamma=1.35$ | 比重 SG<br>$\gamma=1.84$ |
| ZA25-315        | E                     | 2900                  | 13                        | 80                 | 1.2                      | 28                             | Y160L-2 18.5KW         | Y180M-2 22KW           | Y200L2-2 37KW          |
|                 | E                     | 1450                  | 6.8                       | 20                 | 0.7                      | 25                             | Y100L2-4 3KW           | Y112M-4 4KW            | Y132S-4 5.5KW          |
|                 | F                     | 2900                  | 11.5                      | 67                 | 1.2                      | 28                             | Y160M-2 15KW           | Y160L-2 18.5K          | Y200L1-2 30KW          |
|                 | F                     | 1450                  | 6                         | 16                 | 0.7                      | 25                             | Y100L1-4 2.2KW         | Y100L2-4 3KW           | Y112M-4 4KW            |
| ZA40-160        | A                     | 2900                  | 28                        | 33                 | 3                        | 62                             | Y132S1-2 5.5KW         | Y132S2-2-7.5KW         | Y160M1-2 11KW          |
|                 | A                     | 1450                  | 14                        | 8                  | 0.8                      | 59                             | Y90S-4 1.1.KW          | Y90S-4 1.1.KW          | Y90L-4-1.5KW           |
|                 | B                     | 2900                  | 25.6                      | 29                 | 3                        | 62                             | Y132S1-2 5.5KW         | Y132S2-2-7.5KW         | Y160M1-2 11KW          |
|                 | B                     | 1450                  | 13                        | 7                  | 0.8                      | 59                             | Y90S-4 1.1.KW          | Y90S-4 1.1.KW          | Y90L-4-1.5KW           |
|                 | C                     | 2900                  | 22                        | 22                 | 3                        | 62                             | Y112M-2 4Kw            | Y132S1-2 5.5KW         | Y132S1-2 5.5KW         |
|                 | C                     | 1450                  | 11                        | 5.5                | 0.8                      | 59                             | Y90S-4 1.1.KW          | Y90S-4 1.1.KW          | Y90S-4 1.1.KW          |
|                 | D                     | 2900                  | 20                        | 16                 | 3                        | 62                             | Y90L-2 2.2Kw           | Y100L-2 3Kw            | Y112M-2 4Kw            |
|                 | D                     | 1450                  | 9.5                       | 4.5                | 0.8                      | 59                             | Y90S-4 1.1.KW          | Y90S-4 1.1.KW          | Y90S-4 1.1.KW          |
| ZA40-200        | A                     | 2900                  | 29                        | 53                 | 2.2                      | 58                             | Y160M1-2 11kw          | Y160M-2 15KW           | Y160L-2 18.5KW         |
|                 | A                     | 1450                  | 14.5                      | 13                 | 0.8                      | 55                             | Y90L-4-1.5KW           | Y100L1-4 2.2KW         | Y100L2-4 3KW           |
|                 | B                     | 2900                  | 26                        | 47                 | 2.2                      | 58                             | Y132S2-2-7.5KW         | Y160M1-2 11KW          | Y160M-2 15KW           |
|                 | B                     | 1450                  | 13                        | 11.5               | 0.8                      | 55                             | Y90S-4 1.1.KW          | Y90L-4-1.5KW           | Y100L2-4 3KW           |
|                 | C                     | 2900                  | 22                        | 39                 | 2.2                      | 58                             | Y132S1-2 5.5KW         | Y132S2-2-7.5KW         | Y160M1-2 11KW          |
|                 | C                     | 1450                  | 11.5                      | 9                  | 0.8                      | 55                             | Y90S-4 1.1.KW          | Y90S-4 1.1.KW          | Y90L-4-1.5KW           |
|                 | D                     | 2900                  | 18                        | 20                 | 2.2                      | 58                             | Y112M-2 4Kw            | Y132S1-2 5.5KW         | Y132S2-2-7.5KW         |
|                 | D                     | 1450                  | 9.5                       | 7                  | 0.8                      | 55                             | Y90S-4 1.1.KW          | Y90S-4 1.1.KW          | Y90S-4 1.1.KW          |
| ZA40-250        | A                     | 2900                  | 32                        | 78                 | 2.5                      | 53                             | Y160L-2 18.5KW         | Y180M-2 22KW           | Y200L1-2 30KW          |
|                 | A                     | 1450                  | 16                        | 19.5               | 0.8                      | 49.5                           | Y100L2-4 3Kw           | Y112M-4 4Kw            | Y132S-4 5.5KW          |
|                 | B                     | 2900                  | 30                        | 72                 | 2.5                      | 53                             | Y160M-2 15KW           | Y160L-2 18.5K          | Y200L1-2 30KW          |
|                 | B                     | 1450                  | 15                        | 18                 | 0.8                      | 49.5                           | Y100L1-4 2.2KW         | Y100L2-4 3KW           | Y112M-4 4KW            |
|                 | C                     | 2900                  | 24                        | 60                 | 2.5                      | 53                             | Y160M1-2 11kw          | Y160M-2 15KW           | Y160L-2 18.5KW         |
|                 | C                     | 1450                  | 24                        | 60                 | 0.8                      | 49.5                           | Y90L-4-1.5KW           | Y100L1-4 2.2KW         | Y100L2-4 3KW           |
|                 | D                     | 2900                  | 21                        | 47                 | 2.5                      | 53                             | Y132S2-2-7.5KW         | Y160M1-2 11KW          | Y160M-2 15KW           |
|                 | D                     | 1450                  | 10.5                      | 11                 | 0.8                      | 49.5                           | Y90S-4 1.1.KW          | Y90L-4-1.5KW           | Y100L1-4 2.2KW         |



| 型号<br>Pump type | 叶轮型式<br>Impeller form | 转速<br>Speed<br>N(rpm) | 流量<br>Capacity<br>Q(m3/h) | 扬程<br>Head<br>H(m) | 汽蚀<br>余量<br>NPSHr<br>(m) | 效率<br>Efficiency<br>$\eta$ (%) | 电机 Motor               |                        |                        |
|-----------------|-----------------------|-----------------------|---------------------------|--------------------|--------------------------|--------------------------------|------------------------|------------------------|------------------------|
|                 |                       |                       |                           |                    |                          |                                | 比重 SG<br>$\gamma=1.00$ | 比重 SG<br>$\gamma=1.35$ | 比重 SG<br>$\gamma=1.84$ |
| ZA40-315        | A                     | 2900                  | 42                        | 115                | 1.3                      | 46                             | Y200L2-2 37KW          | Y225M-2 45KW           | Y280S-2 75KW           |
|                 | A                     | 1450                  | 21                        | 29                 | 0.5                      | 42                             | Y132S-4 5.5KW          | Y132M-4 7.5KW          | Y160M-4 11KW           |
|                 | B                     | 2900                  | 40                        | 107                | 1.3                      | 46                             | Y200L1-2 30KW          | Y225M-2 45KW           | Y250M-2 55KW           |
|                 | B                     | 1450                  | 20                        | 26.5               | 0.5                      | 42                             | Y132S-4 5.5KW          | Y132M-4 7.5KW          | Y160M-4 11KW           |
|                 | C                     | 2900                  | 34                        | 81                 | 1.3                      | 46                             | Y180M-2 22KW           | Y200L1-2 30KW          | Y225M-2 45KW           |
|                 | C                     | 1450                  | 17.5                      | 20                 | 0.5                      | 42                             | Y112M-4 4KW            | Y132S-4 5.5KW          | Y132M-4 7.5KW          |
|                 | D                     | 2900                  | 29                        | 61                 | 1.3                      | 46                             | Y160M2-2 15KW          | Y180M-2 22KW           | Y200L1-2 30KW          |
|                 | D                     | 1450                  | 15                        | 15                 | 0.5                      | 42                             | Y100L2-4 3KW           | Y100L2-4 3KW           | Y132S-4 5.5KW          |
| ZA50-160        | A                     | 2900                  | 50                        | 34                 | 2.4                      | 71                             | Y160M1-2 11kw          | Y160M-2 15KW           | Y160M-2 15KW           |
|                 | A                     | 1450                  | 25                        | 8.4                | 0.8                      | 69                             | Y90L-4-1.5KW           | Y100L1-4 2.2KW         | Y100L1-4 2.2KW         |
|                 | B                     | 2900                  | 45                        | 29                 | 2.4                      | 71                             | Y132S2-2 7.5KW         | Y160M1-2 11KW          | Y160M-2 15KW           |
|                 | B                     | 1450                  | 22.5                      | 7                  | 0.8                      | 69                             | Y90L-4-1.5KW           | Y90L-4-1.5KW           | Y100L1-4 2.2KW         |
|                 | C                     | 2900                  | 38                        | 22                 | 2.4                      | 71                             | Y132S1-2 5.5KW         | Y132S2-2 7.5KW         | Y160M1-2 11KW          |
|                 | C                     | 1450                  | 19                        | 5.5                | 0.8                      | 69                             | Y90S-4 1.1.KW          | Y90S-4 1.1.KW          | Y90L-4-1.5KW           |
|                 | D                     | 2900                  | 31                        | 17                 | 2.4                      | 71                             | Y100L-2 3Kw            | Y112M-2 4Kw            | Y132S1-2 5.5KW         |
|                 | D                     | 1450                  | 16.5                      | 4                  | 0.8                      | 69                             | Y90S-4 1.1.KW          | Y90S-4 1.1.KW          | Y90S-4 1.1.KW          |
| ZA50-200        | A                     | 2900                  | 62                        | 52                 | 2.6                      | 68                             | Y160L-2 18.5KW         | Y180M-2 22KW           | Y200L1-2 30KW          |
|                 | A                     | 1450                  | 31                        | 13                 | 0.7                      | 65.5                           | Y100L2-4 3Kw           | Y100L2-4 3Kw           | Y112M-4 4Kw            |
|                 | B                     | 2900                  | 56                        | 46                 | 2.6                      | 68                             | Y160M2-2 15KW          | Y160L-2 18.5KW         | Y180M-2 22KW           |
|                 | B                     | 1450                  | 28.5                      | 11.5               | 0.7                      | 65.5                           | Y100L1-4 2.2KW         | Y100L2-4 3Kw           | Y112M-4 4Kw            |
|                 | C                     | 2900                  | 49                        | 37                 | 2.6                      | 68                             | Y160M1-2 11KW          | Y160M2-2 15KW          | Y160L-2 18.5KW         |
|                 | C                     | 1450                  | 25                        | 9                  | 0.7                      | 65.5                           | Y90L-4 1.5KW           | Y100L1-4 2.2KW         | Y100L2-4 3Kw           |
|                 | D                     | 2900                  | 43                        | 28                 | 2.6                      | 68                             | Y132S2-2 7.5KW         | Y160M1-2 11KW          | Y160M2-2 15KW          |
|                 | D                     | 1450                  | 22                        | 7                  | 0.7                      | 65.5                           | Y90S-4 1.1KW           | Y90L-4 1.5KW           | Y100L1-4 2.2KW         |
| ZA50-315        | A                     | 2900                  | 87                        | 115                | 2.1                      | 56                             | Y250M-2 55KW           | Y280S-2 75KW           | Y315S-2 110KW          |
|                 | A                     | 1450                  | 44                        | 28                 | 0.5                      | 53                             | Y160M-4 11KW           | Y160M-4 11KW           | Y160L-4 15KW           |
|                 | B                     | 2900                  | 80                        | 100                | 2.1                      | 56                             | Y225M-2 45KW           | Y280S-2 75KW           | Y280M-2 90KW           |
|                 | B                     | 1450                  | 40                        | 24                 | 0.5                      | 53                             | Y132M-4 7.5KW          | Y160M-4 11KW           | Y160L-4 15KW           |

| 型号<br>Pump type | 叶轮型式<br>Impeller form | 转速<br>Speed<br>N(rpm) | 流量<br>Capacity<br>Q(m3/h) | 扬程<br>Head<br>H(m) | 汽蚀<br>余量<br>NPSHr<br>(m) | 效率<br>Efficiency<br>$\eta$ (%) | 电机 Motor               |                        |                        |
|-----------------|-----------------------|-----------------------|---------------------------|--------------------|--------------------------|--------------------------------|------------------------|------------------------|------------------------|
|                 |                       |                       |                           |                    |                          |                                | 比重 SG<br>$\gamma=1.00$ | 比重 SG<br>$\gamma=1.35$ | 比重 SG<br>$\gamma=1.84$ |
|                 | C                     | 2900                  | 70                        | 78                 | 2.1                      | 56                             | Y200L1-2 30KW          | Y225M-2 45KW           | Y250M-2 55KW           |
|                 | C                     | 1450                  | 35                        | 19                 | 0.5                      | 53                             | Y132S-4 5.5KW          | Y132M-4 7.5KW          | Y160M-4 11KW           |
|                 | D                     | 2900                  | 57                        | 57                 | 2.1                      | 56                             | Y180M-2 22KW           | Y200L1-2 30KW          | Y200L2-2 37KW          |
|                 | D                     | 1450                  | 30                        | 14                 | 0.5                      | 53                             | Y100L2-4 3KW           | Y112M-4 4KW            | Y132S-4 5.5KW          |
|                 |                       |                       |                           |                    |                          |                                |                        |                        |                        |
| ZA50-400        | A                     | 2900                  | 82                        | 194                | 2                        | 48                             | Y315S-2 110KW          | Y315M2-2<br>160KW      |                        |
|                 | A                     | 1450                  | 41                        | 48                 | 0.5                      | 45                             | Y160L-4 15KW           | Y180L-4 22KW           | Y200L-4 30KW           |
|                 | B                     | 2900                  | 78                        | 175                | 2                        | 48                             | Y280M-2 90KW           | Y315M1-2<br>132KW      | Y315M2-2<br>160KW      |
|                 | B                     | 1450                  | 39                        | 43                 | 0.5                      | 45                             | Y160L-4 15KW           | Y180M-4 18.5KW         | Y180L-4 22KW           |
|                 | C                     | 2900                  | 70                        | 140                | 2                        | 48                             | Y280S-2 75KW           | Y280M-2 90KW           | Y315M1-2<br>132KW      |
|                 | C                     | 1450                  | 35                        | 34                 | 0.5                      | 45                             | Y160M-4 11KW           | Y160L-4 15KW           | Y180M-4 18.5KW         |
|                 | D                     | 2900                  | 60                        | 102                | 2                        | 48                             | Y225M-2 45KW           | Y280S-2 75KW           | Y280M-2 90KW           |
|                 | D                     | 1450                  | 30                        | 25                 | 0.5                      | 45                             | Y132M-4 7.5KW          | Y160M-4 11KW           | Y160L-4 15KW           |
| ZA80-160        | A                     | 2900                  | 94                        | 32                 | 3                        | 78                             | Y160M2-2 15KW          | Y160L2-2<br>18.5KW     | Y200L1-2 30KW          |
|                 | A                     | 1450                  | 47                        | 8                  | 0.8                      | 76                             | Y100L1-4 2.2KW         | Y100L2-4 3KW           | Y112M-4 4KW            |
|                 | B                     | 2900                  | 85                        | 28                 | 3                        | 78                             | Y160M1-2 11KW          | Y160M2-2 15KW          | Y160L2-2<br>18.5KW     |
|                 | B                     | 1450                  | 42                        | 7                  | 0.8                      | 76                             | Y100L1-4 2.2KW         | Y100L1-4 2.2KW         | Y100L2-4 3KW           |
|                 | C                     | 2900                  | 76                        | 23                 | 3                        | 78                             | Y160M1-2 11KW          | Y160M1-2 11KW          | Y160M2-2 15KW          |
|                 | C                     | 1450                  | 38                        | 5.5                | 0.8                      | 76                             | Y90L-4 1.5KW           | Y100L1-4 2.2KW         | Y100L1-4 2.2KW         |
|                 | D                     | 2900                  | 66                        | 17                 | 3                        | 78                             | Y32S1-2 5.5KW          | Y132S2-2 7.5KW         | Y160M1-2 11KW          |
|                 | D                     | 1450                  | 34                        | 4                  | 0.8                      | 76                             | Y90S-4 1.1KW           | Y90S-4 1.1KW           | Y90L-4 1.5KW           |
| ZA80-200        | A                     | 2900                  | 103                       | 54                 | 3.2                      | 76                             | Y200L1-2 30KW          | Y200L2-2 37KW          |                        |
|                 | A                     | 1450                  | 51                        | 13.5               | 0.8                      | 74                             | Y112M-4 4KW            | Y132S-4 5.5KW          | Y132M-4 7.5KW          |
|                 | B                     | 2900                  | 95                        | 48                 | 3.2                      | 76                             | Y180M-2 22KW           | Y200L1-2 30KW          | Y200L2-2 37KW          |
|                 | B                     | 1450                  | 47                        | 12                 | 0.8                      | 74                             | Y100L2-4 3Kw           | Y112M-4 4Kw            | Y132S-4 5.5KW          |
|                 | C                     | 2900                  | 84                        | 38                 | 3.2                      | 76                             | Y160M2-2 15KW          | Y180M-2 22KW           | Y200L1-2 30KW          |
|                 | C                     | 1450                  | 41                        | 9.5                | 0.8                      | 74                             | Y100L1-4 2.2KW         | Y100L2-4 3Kw           | Y112M-4 4Kw            |
|                 | D                     | 2900                  | 70                        | 30                 | 3.2                      | 76                             | Y160M1-2 11KW          | Y160M2-2 15KW          | Y180M-2 22KW           |
|                 | D                     | 1450                  | 36                        | 7.5                | 0.8                      | 74                             | Y90L-4 1.5KW           | Y100L1-4 2.2KW         | Y100L2-4 3Kw           |

| 型号<br>Pump type | 叶轮型式<br>Impeller form | 转速<br>Speed<br>N(rpm) | 流量<br>Capacity<br>Q(m3/h) | 扬程<br>Head<br>H(m) | 汽蚀<br>余量<br>NPSHr<br>(m) | 效率<br>Efficiency<br>$\eta$ (%) | 电机 Motor               |                        |                        |
|-----------------|-----------------------|-----------------------|---------------------------|--------------------|--------------------------|--------------------------------|------------------------|------------------------|------------------------|
|                 |                       |                       |                           |                    |                          |                                | 比重 SG<br>$\gamma=1.00$ | 比重 SG<br>$\gamma=1.35$ | 比重 SG<br>$\gamma=1.84$ |
| ZA80-250        | A                     | 2900                  | 127                       | 82                 | 3.5                      | 74                             | Y225M-2 45KW           | Y280S-2 75KW           | Y280M-2 90KW           |
|                 | A                     | 1450                  | 64                        | 20                 | 1.4                      | 74                             | Y132M-4 7.5KW          | Y160M-4 11KW           | Y160L-4 15KW           |
|                 | B                     | 2900                  | 120                       | 76                 | 3.5                      | 74                             | Y225M-2 45KW           | Y250M-2 55KW           | Y280S-2 75KW           |
|                 | B                     | 1450                  | 60                        | 19                 | 1.4                      | 74                             | Y132M-4 7.5KW          | Y132M-4 7.5KW          | Y160M-4 11KW           |
|                 | C                     | 2900                  | 105                       | 59                 | 3.5                      | 74                             | Y200L1-2 30KW          | Y225M-2 45KW           | Y250M-2 55KW           |
|                 | C                     | 1450                  | 52                        | 14.5               | 1.4                      | 74                             | Y112M-4 4KW            | Y132S-4 5.5KW          | Y132M-4 7.5KW          |
|                 | D                     | 2900                  | 87                        | 45                 | 3.5                      | 74                             | Y180M-2 22KW           | Y200L1-2 30KW          | Y200L2-2 37KW          |
|                 | D                     | 1450                  | 46                        | 11                 | 1.4                      | 74                             | Y100L2-4 3Kw           | Y112M-4 4Kw            | Y132S-4 5.5KW          |
| ZA80-315        | A                     | 2900                  | 141                       | 127                | 4                        | 69                             | Y280M-2 90KW           |                        |                        |
|                 | A                     | 1450                  | 70                        | 33                 | 1                        | 69                             | Y160L-4 15KW           | Y180M-4 18.5KW         | Y80L-4 22KW            |
|                 | B                     | 2900                  | 135                       | 121                | 4                        | 69                             | Y280S-2 75KW           |                        |                        |
|                 | B                     | 1450                  | 66                        | 30                 | 1                        | 69                             | Y160M-4 11KW           | Y160L-4 15KW           | Y80L-4 22KW            |
|                 | C                     | 2900                  | 115                       | 97                 | 4                        | 69                             | Y250M-2 55KW           | Y280S-2 75KW           |                        |
|                 | C                     | 1450                  | 56                        | 24                 | 1                        | 69                             | Y160M-4 11KW           | Y160M-4 11KW           | Y160L-4 15KW           |
|                 | D                     | 2900                  | 90                        | 74                 | 4                        | 69                             | Y200L2-2 37KW          | Y225M-2 45KW           | Y280S-2 75KW           |
|                 | D                     | 1450                  | 45                        | 18                 | 1                        | 69                             | Y132S-4 5.5KW          | Y132M-4 7.5KW          | Y160M-4 11KW           |
| ZA80-400        | A                     | 2900                  | 171                       | 187                | 3.5                      | 61                             | Y315M2-2<br>160KW      |                        |                        |
|                 | A                     | 1450                  | 85                        | 46                 | 0.8                      | 61                             | Y180L-4 22KW           | Y200L-4 30KW           | Y225M-4 45KW           |
|                 | B                     | 2900                  | 159                       | 170                | 3.5                      | 61                             | Y315M2-2<br>160KW      |                        |                        |
|                 | B                     | 1450                  | 80                        | 42                 | 0.8                      | 61                             | Y180M-4 18.5KW         | Y200L-4 30KW           | Y225S-4 37KW           |
|                 | C                     | 2900                  | 135                       | 130                | 3.5                      | 61                             | Y280M-2 90KW           | Y315M1-2<br>132KW      |                        |
|                 | C                     | 1450                  | 65                        | 33                 | 0.8                      | 61                             | Y160L-4 15KW           | Y180M-4 18.5KW         | Y200L-4 30KW           |
|                 | D                     | 2900                  | 116                       | 95                 | 3.5                      | 61                             | Y280S-2 75KW           | Y280M-2 90KW           | Y315M1-2<br>132KW      |
|                 | D                     | 1450                  | 53                        | 25                 | 0.8                      | 61                             | Y160M-4 11KW           | Y160L-4 15KW           | Y180M-4 18.5KW         |
| ZA100-160       | A                     | 2900                  | 162                       | 29                 | 4.7                      | 81                             | Y180M-2 22KW           | Y200L1-2 30KW          | Y200L2-2 37KW          |
|                 | A                     | 1450                  | 81                        | 7.2                | 1.4                      | 81                             | Y100L2-4 3Kw           | Y112M-4 4Kw            | Y132S-4 5.5KW          |
|                 | B                     | 2900                  | 150                       | 24                 | 4.7                      | 81                             | Y160M2-2 15KW          | Y180M-2 22KW           | Y200L1-2 30KW          |
|                 | B                     | 1450                  | 73                        | 6                  | 1.4                      | 81                             | Y100L1-4 2.2KW         | Y100L2-4 3KW           | Y112M-4 4KW            |

| 型号<br>Pump type | 叶轮型式<br>Impeller form | 转速<br>Speed<br>N(rpm) | 流量<br>Capacity<br>Q(m3/h) | 扬程<br>Head<br>H(m) | 汽蚀<br>余量<br>NPSHr<br>(m) | 效率<br>Efficiency<br>$\eta$ (%) | 电机 Motor               |                        |                        |
|-----------------|-----------------------|-----------------------|---------------------------|--------------------|--------------------------|--------------------------------|------------------------|------------------------|------------------------|
|                 |                       |                       |                           |                    |                          |                                | 比重 SG<br>$\gamma=1.00$ | 比重 SG<br>$\gamma=1.35$ | 比重 SG<br>$\gamma=1.84$ |
| ZA100-160       | C                     | 2900                  | 130                       | 17                 | 4.7                      | 81                             | Y160M1-2 11KW          | Y160M2-2 15KW          | Y160L2-2 18.5KW        |
|                 | C                     | 1450                  | 63                        | 4.3                | 1.4                      | 81                             | Y90L-4 1.5KW           | Y100L1-4 2.2KW         | Y100L2-4 3Kw           |
|                 | D                     | 2900                  | 110                       | 12                 | 4.7                      | 81                             | Y132S2-2 7.5KW         | Y160M1-2 11KW          | Y160M2-2 15KW          |
|                 | D                     | 1450                  | 55                        | 3                  | 1.4                      | 81                             | Y90S-4 1.1KW           | Y90L-4 1.5KW           | Y100L1-4 2.2KW         |
| ZA100-200       | A                     | 2900                  | 193                       | 50                 | 3.7                      | 81                             | Y225M-2 45KW           | Y250M-2 55KW           | Y280S-2 75KW           |
|                 | A                     | 1450                  | 90                        | 12.5               | 1                        | 81                             | Y132S-4 5.5KW          | Y132M-4 7.5KW          | Y160M-4 11KW           |
|                 | B                     | 2900                  | 180                       | 44                 | 3.7                      | 81                             | Y200L2-2 37KW          | Y225M-2 45KW           | Y280S-2 75KW           |
|                 | B                     | 1450                  | 90                        | 10.5               | 1                        | 81                             | Y132S-4 5.5KW          | Y132M-4 7.5KW          | Y160M-4 11KW           |
|                 | C                     | 2900                  | 155                       | 35                 | 3.7                      | 81                             | Y200L1-2 30KW          | Y200L2-2 37KW          | Y225M-2 45KW           |
|                 | C                     | 1450                  | 80                        | 8.5                | 1                        | 81                             | Y112M-4 4KW            | Y132S-4 5.5KW          | Y132M-4 7.5KW          |
|                 | D                     | 2900                  | 135                       | 26                 | 3.7                      | 81                             | Y160L-2 18.5KW         | Y200L1-2 30KW          | Y200L2-2 37KW          |
|                 | D                     | 1450                  | 70                        | 6                  | 1                        | 81                             | Y100L2-4 3KW           | Y100L2-4 3KW           | Y112M-4 4KW            |
| ZA100-250       | A                     | 2900                  | 230                       | 79                 | 4                        | 81                             | Y280S-2 75KW           | Y280M-2 90KW           |                        |
|                 | A                     | 1450                  | 115                       | 20                 | 1                        | 81                             | Y160M-4 11KW           | Y160L-4 15KW           | Y180M-4 18.5KW         |
|                 | B                     | 2900                  | 218                       | 73                 | 4                        | 81                             | Y280S-2 75KW           | Y280M-2 90KW           |                        |
|                 | B                     | 1450                  | 110                       | 18                 | 1                        | 81                             | Y160M-4 11KW           | Y160M-4 11KW           | Y160L-4 15KW           |
|                 | C                     | 2900                  | 180                       | 58                 | 4                        | 81                             | Y225M-2 45KW           | Y280S-2 75KW           | Y280M-2 90KW           |
|                 | C                     | 1450                  | 95                        | 14                 | 1                        | 81                             | Y132M-4 7.5KW          | Y160M-4 11KW           | Y160M-4 11KW           |
|                 | D                     | 2900                  | 170                       | 44                 | 4                        | 81                             | Y200L2-2 37KW          | Y225M-2 45KW           | Y280S-2 75KW           |
|                 | D                     | 1450                  | 80                        | 10                 | 1                        | 81                             | Y132S-4 5.5KW          | Y132M-4 7.5KW          | Y132M-4 7.5KW          |
| ZA100-315       | A                     | 2900                  | 250                       | 126                | 5                        | 78                             | Y315M1-2 132KW         |                        |                        |
|                 | A                     | 1450                  | 125                       | 31                 | 1.4                      | 78                             | Y180M-4 18.5KW         | Y200L-4 30KW           | Y225S-4 37KW           |
|                 | B                     | 2900                  | 240                       | 120                | 5                        | 78                             | Y315M1-2 132KW         | Y315M2-2 160KW         | Y200L-4 30KW           |
|                 | B                     | 1450                  | 119                       | 29                 | 1.4                      | 78                             | Y180M-4 18.5KW         | Y180L-4 22KW           |                        |
|                 | C                     | 2900                  | 203                       | 97                 | 5                        | 78                             | Y280M-2 90KW           | Y315M1-2 132KW         | Y315M2-2 160KW         |
|                 | C                     | 1450                  | 104                       | 24                 | 1.4                      | 78                             | Y160L-4 15KW           | Y180M-4 18.5KW         | Y180L-4 22KW           |
|                 | D                     | 2900                  | 170                       | 71                 | 5                        | 78                             | Y280S-2 75KW           | Y280S-2 75KW           | Y315S-2 110KW          |
|                 | D                     | 1450                  | 86                        | 17.5               | 1.4                      | 78                             | Y160M-4 11KW           | Y160M-4 11KW           | Y160L-4 15KW           |

| 型号<br>Pump type | 叶轮型式<br>Impeller form | 转速<br>Speed<br>N(rpm) | 流量<br>Capacity<br>Q(m3/h) | 扬程<br>Head<br>H(m) | 汽蚀<br>余量<br>NPSHr<br>(m) | 效率<br>Efficiency<br>$\eta$ (%) | 电机 Motor               |                        |                        |
|-----------------|-----------------------|-----------------------|---------------------------|--------------------|--------------------------|--------------------------------|------------------------|------------------------|------------------------|
|                 |                       |                       |                           |                    |                          |                                | 比重 SG<br>$\gamma=1.00$ | 比重 SG<br>$\gamma=1.35$ | 比重 SG<br>$\gamma=1.84$ |
| ZA100-400       | A                     | 2900                  | 300                       | 194                | 6.4                      | 74.5                           |                        |                        |                        |
|                 | A                     | 1450                  | 150                       | 48                 | 1.7                      | 74.5                           | Y225S-4 37KW           | Y225M-4 45KW           | Y280S-4 75KW           |
|                 | B                     | 2900                  | 290                       | 180                | 6.4                      | 74.5                           |                        |                        |                        |
|                 | B                     | 1450                  | 145                       | 44                 | 1.7                      | 74.5                           | Y200L-4 30KW           | Y225M-4 45KW           | Y250M-4 55KW           |
|                 | C                     | 2900                  | 260                       | 145                | 6.4                      | 74.5                           |                        |                        |                        |
|                 | C                     | 1450                  | 130                       | 36                 | 1.7                      | 74.5                           | Y180L-4 22KW           | Y200L-4 30KW           | Y225M-4 45KW           |
|                 | D                     | 2900                  | 224                       | 105                | 6.4                      | 74.5                           | Y315S-2 110KW          | Y315M2-2 160KW         |                        |
|                 | D                     | 1450                  | 115                       | 26                 | 1.7                      | 74.5                           | Y160L-4 15KW           | Y180L-4 22KW           | Y200L-4 30KW           |
| ZA100-500       | A                     | 1450                  | 180                       | 75                 | 1.5                      | 70                             | Y280S-4 75KW           | Y280M-4 90KW           | Y315S-4 110KW          |
|                 | B                     | 1450                  | 167                       | 68                 | 1.5                      | 70                             | Y250M-4 55KW           | Y280S-4 75KW           | Y315S-4 110KW          |
|                 | C                     | 1450                  | 142                       | 53                 | 1.5                      | 70                             | Y225S-4 37KW           | Y250M-4 55KW           | Y280S-4 75KW           |
|                 | D                     | 1450                  | 120                       | 42                 | 1.5                      | 70                             | Y200L-4 30KW           | Y225S-4 37KW           | Y250M-4 55KW           |
| ZA150-200       | A                     | 2900                  | 320                       | 44                 | 6.4                      | 83.5                           | Y250M-2 55KW           | Y280S-2 75KW           | Y315S-2 110KW          |
|                 | A                     | 1450                  | 160                       | 11                 | 1.7                      | 83.5                           | Y132M-4 7.5KW          | Y160M-4 11KW           | Y160L-4 15KW           |
|                 | B                     | 2900                  | 300                       | 39                 | 6.4                      | 83.5                           | Y225M-2 45KW           | Y280S-2 75KW           | Y280M-2 90KW           |
|                 | B                     | 1450                  | 152                       | 9.5                | 1.7                      | 83.5                           | Y132M-4 7.5KW          | Y160M-4 11KW           | Y160L-4 15KW           |
|                 | C                     | 2900                  | 265                       | 30                 | 6.4                      | 83.5                           | Y200L2-2 37KW          | Y225M-2 45KW           | Y280S-2 75KW           |
|                 | C                     | 1450                  | 140                       | 7                  | 1.7                      | 83.5                           | Y132S-4 5.5KW          | Y132M-4 7.5KW          | Y160M-4 11KW           |
|                 | D                     | 2900                  | 220                       | 23                 | 6.4                      | 83.5                           | Y180L-4 22KW           | Y200L-4 30KW           | Y225M-4 45KW           |
|                 | D                     | 1450                  | 123                       | 5                  | 1.7                      | 83.5                           | Y100L2-4 3Kw           | Y112M-4 4Kw            | Y132S-4 5.5KW          |
| ZA150-250       | A                     | 2900                  | 390                       | 74                 | 6                        | 82                             | Y315S-2 110KW          | Y315M2-2 160KW         |                        |
|                 | A                     | 1450                  | 195                       | 18.5               | 1.4                      | 82                             | Y160L-4 15KW           | Y180L-4 22KW           | Y200L-4 30KW           |
|                 | B                     | 2900                  | 355                       | 62                 | 6                        | 82                             | Y280M-2 90KW           | Y315S-2 110KW          | Y315M2-2 160KW         |
|                 | B                     | 1450                  | 180                       | 16                 | 1.4                      | 82                             | Y160L-4 15KW           | Y180M-4 18.5KW         | Y180L-4 22KW           |
|                 | C                     | 2900                  | 325                       | 46                 | 6                        | 82                             | Y280S-2 75KW           | Y280M-2 90KW           | Y315S-2 110KW          |
|                 | C                     | 1450                  | 160                       | 11.5               | 1.4                      | 82                             | Y160M-4 11KW           | Y160M-4 11KW           | Y160L-4 15KW           |

| 型号<br>Pump type | 叶轮型式<br>Impeller form | 转速<br>Speed<br>N(rpm) | 流量<br>Capacity<br>Q(m <sup>3</sup> /h) | 扬程<br>Head<br>H(m) | 汽蚀<br>余量<br>NPSHr<br>(m) | 效率<br>Efficiency<br>η(%) | 电机 Motor          |                   |                   |
|-----------------|-----------------------|-----------------------|--|--------------------|--------------------------|--------------------------|-------------------|-------------------|-------------------|
|                 |                       |                       |  |                    |                          |                          | 比重 SG<br>γ=1.00   | 比重 SG<br>γ=1.35   | 比重 SG<br>γ=1.84   |
| ZA150-315       | A                     | 2900                  | 442                                    | 125                | 7                        | 82.5                     |                   |                   |                   |
|                 | A                     | 1450                  | 220                                    | 32.5               | 1.7                      | 81                       | Y200L-4 30KW      | Y225M-4 45KW      | Y250M-4 55KW      |
|                 | B                     | 2900                  | 430                                    | 120                | 7                        | 82.5                     |                   |                   |                   |
|                 | B                     | 1450                  | 210                                    | 30                 | 1.7                      | 81                       | Y200L-4 30KW      | Y225S-4 37KW      | Y250M-4 55KW      |
|                 | C                     | 2900                  | 372                                    | 94                 | 7                        | 82.5                     | Y315M2-2<br>160KW |                   |                   |
|                 | C                     | 1450                  | 180                                    | 24                 | 1.7                      | 81                       | Y180L-4 22KW      | Y200L-4 30KW      | Y225S-4 37KW      |
|                 | D                     | 2900                  | 310                                    | 68                 | 7                        | 82.5                     | Y280M-2 90KW      | Y315M1-2<br>132KW | Y315M2-2<br>160KW |
|                 | D                     | 1450                  | 150                                    | 17                 | 1.7                      | 81                       | Y160L-4 15KW      | Y180M-4 18.5KW    | Y180L-4 22KW      |
| ZA150-400       | A                     | 2900                  | 520                                    | 205                | 7                        | 78.5                     |                   |                   |                   |
|                 | A                     | 1450                  | 260                                    | 51                 | 1.8                      | 77                       | Y250M-4 55KW      | Y280S-4 75KW      | Y315S-4 110KW     |
|                 | B                     | 2900                  | 498                                    | 190                | 7                        | 78.5                     |                   |                   |                   |
|                 | B                     | 1450                  | 250                                    | 48                 | 1.8                      | 77                       | Y250M-4 55KW      | Y280S-4 75KW      | Y280M-4 90KW      |
|                 | C                     | 2900                  | 453                                    | 151                | 7                        | 78.5                     |                   |                   |                   |
|                 | C                     | 1450                  | 225                                    | 38                 | 1.8                      | 77                       | Y225S-4 37KW      | Y250M-4 55KW      | Y280S-4 75KW      |
|                 | D                     | 2900                  | 400                                    | 113                | 7                        | 78.5                     |                   |                   |                   |
|                 | D                     | 1450                  | 200                                    | 28                 | 1.8                      | 77                       | Y200L-4 30KW      | Y225S-4 37KW      | Y250M-4 55KW      |
| ZA150-500       | A                     | 1450                  | 300                                    | 77                 | 2                        | 74                       | Y315S-4 110KW     | Y315M1-4<br>132KW |                   |
|                 | B                     | 1450                  | 283                                    | 72                 | 2                        | 74                       | Y280M-4 90KW      | Y315M1-4<br>132KW | Y315L1-4 160KW    |
|                 | C                     | 1450                  | 233                                    | 59                 | 2                        | 74                       | Y280S-4 75KW      | Y280M-4 90KW      | Y315S-4 110KW     |
|                 | D                     | 1450                  | 208                                    | 45                 | 2                        | 74                       | Y225M-4 45KW      | Y280S-4 75KW      | Y280S-4 75KW      |
| ZA150-560       | A                     | 1450                  | 335                                    | 104                | 2.4                      | 74.5                     | Y315L1-4 160KW    |                   |                   |
|                 | B                     | 1450                  | 315                                    | 97                 | 2.4                      | 74.5                     | Y315M1-4<br>132KW |                   |                   |
|                 | C                     | 1450                  | 260                                    | 80                 | 2.4                      | 74.5                     | Y280M-4 90KW      | Y315M1-4<br>132KW | Y315L1-4 160KW    |
|                 | D                     | 1450                  | 212                                    | 60                 | 2.4                      | 74.5                     | Y280S-4 75KW      | Y280M-4 90KW      | Y315S-4 110KW     |
| ZA150-630       | A                     | 1450                  | 360                                    | 115                | 2.4                      | 63                       |                   |                   |                   |
|                 | B                     | 1450                  | 338                                    | 105.5              | 2.4                      | 63                       |                   |                   |                   |
|                 | C                     | 1450                  | 274                                    | 82                 | 2.4                      | 63                       | Y315M1-4<br>132KW | Y315L1-4 160KW    |                   |
|                 | D                     | 1450                  | 220                                    | 60                 | 2.4                      | 63                       | Y280S-4 75KW      | Y315S-4 110KW     | Y315L1-4 160KW    |

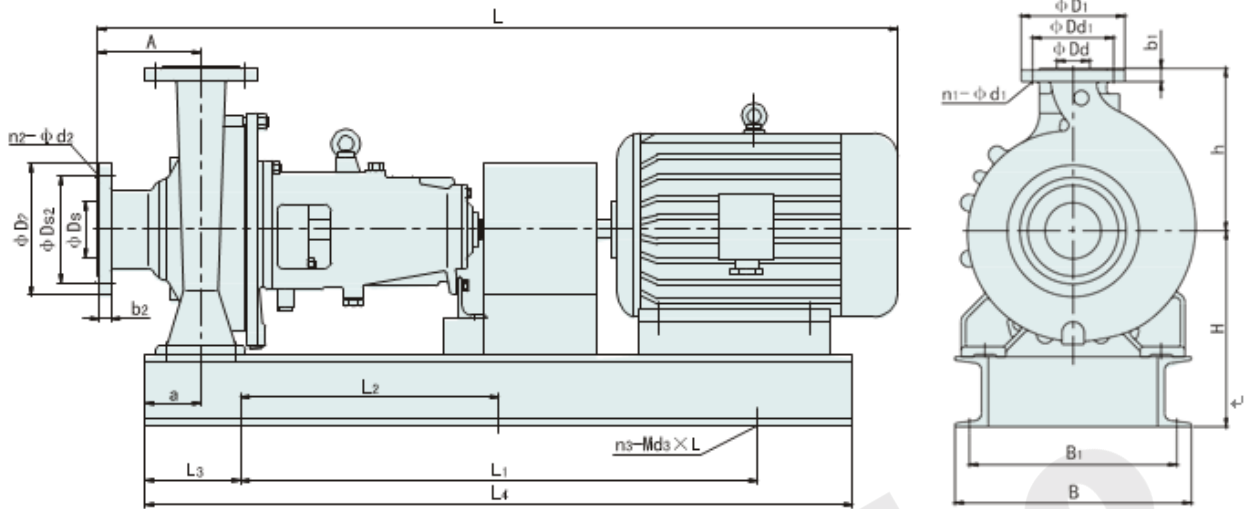
| 型号<br>Pump type | 叶轮型式<br>Impeller form | 转速<br>Speed<br>N(rpm) | 流量<br>Capacity<br>Q(m3/h) | 扬程<br>Head<br>H(m) | 汽蚀<br>余量<br>NPSHr<br>(m) | 效率<br>Efficiency<br>$\eta$ (%) | 电机 Motor               |                        |                        |
|-----------------|-----------------------|-----------------------|---------------------------|--------------------|--------------------------|--------------------------------|------------------------|------------------------|------------------------|
|                 |                       |                       |                           |                    |                          |                                | 比重 SG<br>$\gamma=1.00$ | 比重 SG<br>$\gamma=1.35$ | 比重 SG<br>$\gamma=1.84$ |
| ZA200-250       | A                     | 2900                  | 610                       | 72                 | 9                        | 84.5                           | Y315M2-2<br>160KW      |                        |                        |
|                 | A                     | 1450                  | 305                       | 17.5               | 2.4                      | 83.5                           | Y180L-4 22KW           | Y200L-4 30KW           | Y225M-4 45KW           |
|                 | B                     | 2900                  | 580                       | 65                 | 9                        | 84.5                           | Y315M2-2<br>160KW      |                        |                        |
|                 | B                     | 1450                  | 290                       | 16                 | 2.4                      | 83.5                           | Y180M-4 18.5KW         | Y200L-4 30KW           | Y225S-4 37KW           |
|                 | C                     | 2900                  | 520                       | 47                 | 9                        | 84.5                           | Y315S-2 110KW          | Y315M-2 132KW          |                        |
|                 | C                     | 1450                  | 260                       | 12                 | 2.4                      | 83.5                           | Y160L-4 15KW           | Y180M-4 18.5KW         | Y200L-4 30KW           |
|                 | D                     | 2900                  | 470                       | 32                 | 9                        | 84.5                           | Y280S-2 75KW           | Y280M-2 90KW           | Y315S-2 110KW          |
|                 | D                     | 1450                  | 240                       | 8                  | 2.4                      | 83.5                           | Y160M-4 11KW           | Y160L-4 15KW           | Y160L-4 15KW           |
| ZA200-315       | A                     | 2900                  | 710                       | 122                | 8.6                      | 85.5                           |                        |                        |                        |
|                 | A                     | 1450                  | 350                       | 30                 | 2                        | 84.5                           | Y225M-4 45KW           | Y250M-4 55KW           | Y280S-4 75KW           |
|                 | B                     | 2900                  | 680                       | 114                | 8.6                      | 85.5                           |                        |                        |                        |
|                 | B                     | 1450                  | 340                       | 29                 | 2                        | 84.5                           | Y200L-4 30KW           | Y250M-4 55KW           | Y280S-4 75KW           |
|                 | C                     | 2900                  | 600                       | 87                 | 8.6                      | 85.5                           |                        |                        |                        |
|                 | C                     | 1450                  | 300                       | 22                 | 2                        | 84.5                           | Y200L-4 30KW           | Y225S-4 37KW           | Y250M-4 55KW           |
|                 | D                     | 2900                  | 480                       | 65                 | 8.6                      | 85.5                           | Y315M-2 132KW          |                        |                        |
|                 | D                     | 1450                  | 250                       | 15                 | 2                        | 84.5                           | Y180M-4 18.5KW         | Y180L-4 22KW           | Y200L-4 30KW           |
| ZA200-400       | A                     | 2900                  | 850                       | 203                | 13                       | 82                             |                        |                        |                        |
|                 | A                     | 1450                  | 426                       | 50                 | 3.5                      | 81                             | Y280M-4 90KW           | Y315S-4 110KW          | Y315L1-4 160KW         |
|                 | B                     | 2900                  | 830                       | 150                | 13                       | 82                             |                        |                        |                        |
|                 | B                     | 1450                  | 410                       | 47                 | 3.5                      | 81                             | Y280S-4 75KW           | Y315S-4 110KW          | Y315M1-4<br>132KW      |
|                 | C                     | 2900                  | 750                       | 145                | 13                       | 82                             |                        |                        |                        |
|                 | C                     | 1450                  | 370                       | 36.5               | 3.5                      | 81                             | Y250M-4 55KW           | Y280S-4 75KW           | Y315S-4 110KW          |
|                 | D                     | 2900                  | 670                       | 106                | 13                       | 82                             |                        |                        |                        |
|                 | D                     | 1450                  | 332                       | 27                 | 3.5                      | 81                             | Y225M-4 45KW           | Y250M-4 55KW           | Y280S-4 75KW           |
| ZA200-500       | A                     | 1450                  | 495                       | 84                 | 2.9                      | 81                             |                        |                        |                        |
|                 | B                     | 1450                  | 470                       | 79                 | 2.9                      | 81                             | Y315L1-4 160KW         |                        |                        |
|                 | C                     | 1450                  | 400                       | 63                 | 2.9                      | 81                             | Y315S-4 110KW          | Y315L1-4 160KW         |                        |
|                 | D                     | 1450                  | 330                       | 48                 | 2.9                      | 81                             | Y280S-4 75KW           | Y280M-4 90KW           | Y315M1-4<br>132KW      |

| 型号<br>Pump type | 叶轮型式<br>Impeller form | 转速<br>Speed<br>N(rpm) | 流量<br>Capacity<br>Q(m3/h) | 扬程<br>Head<br>H(m) | 汽蚀<br>余量<br>NPSHr<br>(m) | 效率<br>Efficiency<br>$\eta$ (%) | 电机 Motor               |                        |                        |
|-----------------|-----------------------|-----------------------|---------------------------|--------------------|--------------------------|--------------------------------|------------------------|------------------------|------------------------|
|                 |                       |                       |                           |                    |                          |                                | 比重 SG<br>$\gamma=1.00$ | 比重 SG<br>$\gamma=1.35$ | 比重 SG<br>$\gamma=1.84$ |
| ZA200-560       | A                     | 1450                  | 540                       | 106                | 3                        | 79.5                           |                        |                        |                        |
|                 | B                     | 1450                  | 510                       | 98                 | 3                        | 79.5                           |                        |                        |                        |
|                 | C                     | 1450                  | 460                       | 81                 | 3                        | 79.5                           | Y315L1-4 160KW         |                        |                        |
|                 | D                     | 1450                  | 350                       | 62                 | 3                        | 79.5                           | Y315S-4 110KW          | Y315M1-4<br>132KW      | Y315L1-4 160KW         |
| ZA200-630       | A                     | 1450                  | 580                       | 132                | 3.5                      | 77.5                           |                        |                        |                        |
|                 | B                     | 1450                  | 550                       | 125                | 3.5                      | 77.5                           |                        |                        |                        |
|                 | C                     | 1450                  | 468                       | 100                | 3.5                      | 77.5                           |                        |                        |                        |
|                 | D                     | 1450                  | 372                       | 75                 | 3.5                      | 77.5                           | Y315M1-4<br>132KW      |                        |                        |
| ZA250-315       | A                     | 1450                  | 545                       | 27                 | 2.9                      | 86.5                           | Y250M-4 55KW           | Y280S-4 75KW           | Y315S-4 110KW          |
|                 | B                     | 1450                  | 528                       | 25                 | 2.9                      | 86.5                           | Y250M-4 55KW           | Y280S-4 75KW           | Y280M-4 90KW           |
|                 | C                     | 1450                  | 480                       | 19                 | 2.9                      | 86.5                           | Y225S-4 37KW           | Y250M-4 55KW           | Y280S-4 75KW           |
|                 | D                     | 1450                  | 434                       | 13                 | 2.9                      | 86.5                           | Y200L-4 30KW           | Y225S-4 37KW           | Y225M-4 45KW           |
| ZA250-400       | A                     | 1450                  | 660                       | 49                 | 3.2                      | 87.5                           | Y315M1-4<br>132KW      | Y315L1-4 160KW         |                        |
|                 | B                     | 1450                  | 630                       | 46                 | 3.2                      | 87.5                           | Y315S-4 110KW          | Y315L1-4 160KW         |                        |
|                 | C                     | 1450                  | 565                       | 36                 | 3.2                      | 87.5                           | Y280S-4 75KW           | Y315S-4 110KW          | Y315L1-4 160KW         |
|                 | D                     | 1450                  | 500                       | 24                 | 3.2                      | 87.5                           | Y250M-4 55KW           | Y280S-4 75KW           | Y280M-4 90KW           |
| ZA250-500       | A                     | 1450                  | 800                       | 82                 | 5                        | 83                             |                        |                        |                        |
|                 | B                     | 1450                  | 770                       | 76                 | 5                        | 83                             |                        |                        |                        |
|                 | C                     | 1450                  | 700                       | 58                 | 5                        | 83                             | Y315L1-4 160KW         |                        |                        |
|                 | D                     | 1450                  | 630                       | 42                 | 5                        | 83                             | Y315S-4 110KW          | Y315L1-4 160KW         |                        |
| ZA250-560       | A                     | 1450                  | 860                       | 106                | 4.2                      | 83                             |                        |                        |                        |
|                 | B                     | 1450                  | 830                       | 98                 | 4.2                      | 83                             |                        |                        |                        |
|                 | C                     | 1450                  | 760                       | 78                 | 4.2                      | 83                             |                        |                        |                        |
|                 | D                     | 1450                  | 665                       | 57                 | 4.2                      | 83                             | Y315L1-4 160KW         |                        |                        |
| ZA250-630       | A                     | 1450                  | 855                       | 128                | 4.2                      | 80.5                           |                        |                        |                        |
|                 | B                     | 1450                  | 816                       | 119                | 4.2                      | 80.5                           |                        |                        |                        |
|                 | C                     | 1450                  | 720                       | 96                 | 4.2                      | 80.5                           |                        |                        |                        |
|                 | D                     | 1450                  | 625                       | 71                 | 4.2                      | 80.5                           |                        |                        |                        |



| 型号<br>Pump type | 叶轮型式<br>Impeller form | 转速<br>Speed<br>N(rpm) | 流量<br>Capacity<br>Q(m <sup>3</sup> /h) | 扬程<br>Head<br>H(m) | 汽蚀<br>余量<br>NPSHr<br>(m) | 效率<br>Efficiency<br>$\eta$ (%) | 电机 Motor               |                        |                        |
|-----------------|-----------------------|-----------------------|--|--------------------|--------------------------|--------------------------------|------------------------|------------------------|------------------------|
|                 |                       |                       |  |                    |                          |                                | 比重 SG<br>$\gamma=1.00$ | 比重 SG<br>$\gamma=1.35$ | 比重 SG<br>$\gamma=1.84$ |
| ZA300-400       | A                     | 1450                  | 1050                                   | 48                 | 5.8                      | 87                             |                        |                        |                        |
|                 | B                     | 1450                  | 1010                                   | 45                 | 5.8                      | 87                             | Y315L1-4 160KW         |                        |                        |
|                 | C                     | 1450                  | 900                                    | 34                 | 5.8                      | 87                             | Y315M1-4<br>132KW      | Y315L1-4 160KW         |                        |
|                 | D                     | 1450                  | 780                                    | 26                 | 5.8                      | 87                             | Y280M-4 90KW           | Y315M1-4<br>132KW      | Y315L1-4 160KW         |
| ZA300-500       | A                     | 1450                  | 1240                                   | 78                 | 5.8                      | 88                             |                        |                        |                        |
|                 | B                     | 1450                  | 1170                                   | 75                 | 5.8                      | 88                             |                        |                        |                        |
|                 | C                     | 1450                  | 1015                                   | 57                 | 5.8                      | 88                             |                        |                        |                        |
|                 | D                     | 1450                  | 870                                    | 42                 | 5.8                      | 88                             | Y315L1-4 160KW         |                        |                        |
| ZA300-560       | A                     | 1450                  | 1340                                   | 104                | 5.2                      | 87                             |                        |                        |                        |
|                 | B                     | 1450                  | 1280                                   | 97                 | 5.2                      | 87                             |                        |                        |                        |
|                 | C                     | 1450                  | 1140                                   | 77                 | 5.2                      | 87                             |                        |                        |                        |
|                 | D                     | 1450                  | 950                                    | 56                 | 5.2                      | 87                             |                        |                        |                        |
| ZA300-630       | A                     | 1450                  | 1450                                   | 132                | 5.5                      | 85                             |                        |                        |                        |
|                 | B                     | 1450                  | 1357                                   | 125                | 5.5                      | 85                             |                        |                        |                        |
|                 | C                     | 1450                  | 1170                                   | 100                | 5.5                      | 85                             |                        |                        |                        |
|                 | D                     | 1450                  | 950                                    | 75                 | 5.5                      | 85                             |                        |                        |                        |
| ZA400-500       | A                     | 1450                  | 1870                                   | 74                 | 6.3                      | 88                             |                        |                        |                        |
|                 | B                     | 1450                  | 1800                                   | 70                 | 6.3                      | 88                             |                        |                        |                        |
|                 | C                     | 1450                  | 1520                                   | 52                 | 6.3                      | 88                             |                        |                        |                        |
|                 | D                     | 1450                  | 1300                                   | 38                 | 6.3                      | 88                             |                        |                        |                        |
| ZA400-560       | A                     | 1450                  | 2040                                   | 98                 | 7.5                      | 88                             |                        |                        |                        |
|                 | B                     | 1450                  | 1950                                   | 91                 | 7.5                      | 88                             |                        |                        |                        |
|                 | C                     | 1450                  | 1760                                   | 74                 | 7.5                      | 88                             |                        |                        |                        |
|                 | D                     | 1450                  | 1500                                   | 54                 | 7.5                      | 88                             |                        |                        |                        |
| ZA400-630       | A                     | 1450                  | 2390                                   | 125                | 8.3                      | 88                             |                        |                        |                        |
|                 | B                     | 1450                  | 2280                                   | 117                | 8.3                      | 88                             |                        |                        |                        |
|                 | C                     | 1450                  | 1960                                   | 95                 | 8.3                      | 88                             |                        |                        |                        |
|                 | D                     | 1450                  | 1610                                   | 70                 | 8.3                      | 88                             |                        |                        |                        |

● 安装外形尺寸图 Installation dimension drawing



| 泵型号<br>model of pump | 电机型号<br>Model of motor | 轴承号<br>Name of shaft | A   | a   | L1  | L2  | L3   | L4   | L   | B1  | B   | h   | H          | n3-Md3X L | 总重量<br>Weight (kg) |
|----------------------|------------------------|----------------------|-----|-----|-----|-----|------|------|-----|-----|-----|-----|------------|-----------|--------------------|
| ZA25-200             | Y90S-4/1.1             | 0                    | 100 | 145 | 660 | 170 | 1000 | 950  | 400 | 440 | 175 | 300 | 4-M12X 220 | 106       |                    |
|                      | Y90L-4/1.5             |                      |     |     |     |     |      | 975  |     |     |     |     |            | 106       |                    |
|                      | Y90S-2/1.5             |                      |     |     |     |     |      | 950  |     |     |     |     |            | 106       |                    |
|                      | Y90L-2/2.2             |                      |     |     |     |     |      | 975  |     |     |     |     |            | 106       |                    |
|                      | Y100L-2/3              |                      |     |     |     |     |      | 1020 |     |     |     |     |            | 117       |                    |
|                      | Y112M-2/4              |                      |     |     |     |     |      | 1040 |     |     |     |     |            | 130       |                    |
|                      | Y132S1-2/5.5           |                      |     |     |     |     |      | 1115 |     |     |     |     |            | 165       |                    |
|                      | Y132S2-2/7.5           |                      |     |     |     |     |      | 1115 |     |     |     |     |            | 165       |                    |
|                      | Y160M1-2/11            |                      |     |     |     |     |      | 1240 |     |     |     |     |            | 232       |                    |
| ZA25-250             | Y90S-4/1.1             | 1                    | 140 | 90  | 660 | 170 | 1000 | 1060 | 400 | 440 | 225 | 300 | 4-M12X220  | 148       |                    |
|                      | Y90L-4/1.5             |                      |     |     |     |     |      | 1085 |     |     |     |     |            | 148       |                    |
|                      | Y100L1-4/2.2           |                      |     |     |     |     |      | 1130 |     |     |     |     |            | 163       |                    |
|                      | Y100L2-4/3             |                      |     |     |     |     |      | 1130 |     |     |     |     |            | 163       |                    |
|                      | Y112M-4/4              |                      |     |     |     |     |      | 1150 |     |     |     |     |            | 176       |                    |
|                      | Y112M-2/4              |                      |     |     |     |     |      | 1150 |     |     |     |     |            | 194       |                    |
|                      | Y132S1-2/5.5           | 1315                 | 225 |     |     |     |      |      |     |     |     |     |            |           |                    |
|                      | Y132S2-2/7.5           | 1315                 | 225 |     |     |     |      |      |     |     |     |     |            |           |                    |
|                      | Y160M1-2/11            | 1440                 | 303 |     |     |     |      |      |     |     |     |     |            |           |                    |
|                      | Y160M2-2/15            | 1440                 | 303 |     |     |     |      |      |     |     |     |     |            |           |                    |
|                      | Y160L-2/18.5           | 1485                 | 303 |     |     |     |      |      |     |     |     |     |            |           |                    |

| 泵型号<br>model of pump | 电机型号<br>Model of motor | 轴承号<br>Name of shaft | A   | a   | L1  | L2 | L3  | L4   | L    | B1  | B   | h   | H   | n3-Md3X L | 总重量<br>Weight (kg) |     |     |           |     |
|----------------------|------------------------|----------------------|-----|-----|-----|----|-----|------|------|-----|-----|-----|-----|-----------|--------------------|-----|-----|-----------|-----|
| ZA25-315             | Y100L1-4/2.2           | 2                    | 150 | 90  | 940 |    | 230 | 1400 | 1230 | 490 | 530 | 260 | 365 | 4-M16 220 | 224                |     |     |           |     |
|                      | Y100L2-4/3             |                      |     |     |     |    |     |      | 1230 |     |     |     |     |           | 224                |     |     |           |     |
|                      | Y112M-4/4              |                      |     |     |     |    |     |      | 1250 |     |     |     |     |           | 237                |     |     |           |     |
|                      | Y132S-4/5.5            |                      |     |     |     |    |     |      | 1325 |     |     |     |     |           | 266                |     |     |           |     |
|                      | Y132M-4/7.5            |                      |     |     |     |    |     |      | 1365 |     |     |     |     |           | 266                |     |     |           |     |
|                      | Y160M-4/11             |                      |     |     |     |    |     |      | 1450 |     |     |     |     |           | 332                |     |     |           |     |
|                      | Y160M2-2/15            |                      |     |     |     |    |     |      | 1450 |     |     |     |     |           | 332                |     |     |           |     |
|                      | Y160L-2/18.5           |                      |     |     |     |    |     |      | 1495 |     |     |     |     |           | 354                |     |     |           |     |
|                      | Y180M-2/22             |                      |     |     |     |    |     |      | 1520 |     |     |     |     |           | 389                |     |     |           |     |
|                      | Y200L1-2/30            |                      |     |     |     |    |     |      | 1625 |     |     |     |     |           | 471                |     |     |           |     |
|                      | Y200L2-2/37            |                      |     |     |     |    |     |      | 1625 |     |     |     |     |           | 471                |     |     |           |     |
|                      | Y225M-2/45             |                      |     |     |     |    |     |      | 1665 |     |     |     |     |           | 565                |     |     |           |     |
|                      | Y250M-2/55             |                      |     |     |     |    |     |      | 1820 |     |     |     |     |           | 550                | 600 | 450 | 6-M16 220 | 695 |
| ZA40-160             | Y90S-4/1.1             | 1                    | 130 | 75  | 660 |    | 170 | 1000 | 1050 | 400 | 440 | 180 | 300 | 4-M12 220 | 127                |     |     |           |     |
|                      | Y90L-4/1.5             |                      |     |     |     |    |     |      | 1075 |     |     |     |     |           | 127                |     |     |           |     |
|                      | Y90L-2/2.2             |                      |     |     |     |    |     |      | 1075 |     |     |     |     |           | 127                |     |     |           |     |
|                      | Y100L-2/3              |                      |     |     |     |    |     |      | 1120 |     |     |     |     |           | 138                |     |     |           |     |
|                      | Y112M-2/4              |                      |     |     |     |    |     |      | 1140 |     |     |     |     |           | 151                |     |     |           |     |
|                      | Y132S1-2/5.5           |                      |     |     |     |    |     |      | 1215 |     |     |     |     |           | 183                |     |     |           |     |
|                      | Y132S2-2/7.5           |                      |     |     |     |    |     |      | 1215 |     |     |     |     |           | 183                |     |     |           |     |
|                      | Y160M1-2/11            |                      |     |     |     |    |     |      | 1340 |     |     |     |     |           | 252                |     |     |           |     |
| ZA40-200             | Y90S-4/1.1             | 1                    | 140 | 175 | 660 |    | 170 | 1000 | 1060 | 400 | 440 | 200 | 300 | 4-M12 220 | 131                |     |     |           |     |
|                      | Y90L-4/1.5             |                      |     |     |     |    |     |      | 1085 |     |     |     |     |           | 131                |     |     |           |     |
|                      | Y00L1-4/2.2            |                      |     |     |     |    |     |      | 1130 |     |     |     |     |           | 142                |     |     |           |     |
|                      | Y112M-4/4              |                      |     |     |     |    |     |      | 1150 |     |     |     |     |           | 155                |     |     |           |     |
|                      | Y112M-2/4              |                      |     |     |     |    |     |      | 1150 |     |     |     |     |           | 155                |     |     |           |     |
|                      | Y132S-4/5.5            |                      |     |     |     |    |     |      | 1225 |     |     |     |     |           | 176                |     |     |           |     |
|                      | Y132S1-2/5.5           |                      |     |     |     |    |     |      | 1225 |     |     |     |     |           | 176                |     |     |           |     |
|                      | Y132S2-2/7.5           |                      |     |     |     |    |     |      | 1225 |     |     |     |     |           | 176                |     |     |           |     |
|                      | Y160M1-2/11            |                      |     |     |     |    |     |      | 1350 |     |     |     |     |           | 256                |     |     |           |     |
|                      | Y160M2-2/15            |                      |     |     |     |    |     |      | 1350 |     |     |     |     |           | 256                |     |     |           |     |
|                      | Y160L-2/18.5           |                      |     |     |     |    |     |      | 1395 |     |     |     |     |           | 256                |     |     |           |     |
| ZA40-250             | Y90S-4/1.1             | 2                    | 140 | 90  | 660 |    | 170 | 1000 | 1060 | 400 | 440 | 225 | 300 | 4-M12 220 | 148                |     |     |           |     |
|                      | Y90L-4/1.5             |                      |     |     |     |    |     |      | 1085 |     |     |     |     |           | 148                |     |     |           |     |
|                      | Y00L1-4/2.2            |                      |     |     |     |    |     |      | 1130 |     |     |     |     |           | 163                |     |     |           |     |
|                      | Y100L2-4/3             |                      |     |     |     |    |     |      | 1130 |     |     |     |     |           | 163                |     |     |           |     |
|                      | Y112M-4/4              |                      |     |     |     |    |     |      | 1150 |     |     |     |     |           | 176                |     |     |           |     |
|                      | Y132S-4/5.5            |                      |     |     |     |    |     |      | 1225 |     |     |     |     |           | 205                |     |     |           |     |
|                      | Y132S2-2/7.5           |                      |     |     |     |    |     |      | 1315 |     |     |     |     |           | 205                |     |     |           |     |
|                      | Y160M1-2/11            |                      |     |     |     |    |     |      | 1440 |     |     |     |     |           | 225                |     |     |           |     |
|                      | Y160M2-2/15            |                      |     |     |     |    |     |      | 1440 |     |     |     |     |           | 303                |     |     |           |     |
|                      | Y160L-2/18.5           |                      |     |     |     |    |     |      | 1485 |     |     |     |     |           | 359                |     |     |           |     |
|                      | Y180M-2/22             |                      |     |     |     |    |     |      | 1510 |     |     |     |     |           | 359                |     |     |           |     |
|                      | Y200L1-2/30            |                      |     |     |     |    |     |      | 1615 |     |     |     |     |           | 490                | 530 | 365 | 4-M16 220 | 448 |

| 泵型号<br>model of pump | 电机型号<br>Model of motor | 轴承号<br>Name of shaft | A   | a    | L1   | L2  | L3        | L4   | L          | B1   | B   | h   | H   | n3-Md3X L | 总重量<br>Weight (kg) |      |           |           |     |
|----------------------|------------------------|----------------------|-----|------|------|-----|-----------|------|------------|------|-----|-----|-----|-----------|--------------------|------|-----------|-----------|-----|
| ZA40-315             | Y100L2-4/3             | 2                    | 160 | 90   | 1060 | 530 | 270       | 1600 | 1240       | 490  | 530 | 280 | 365 | 4-M16 220 | 224                |      |           |           |     |
|                      | Y112M-4/4              |                      |     |      |      |     |           |      | 1260       |      |     |     |     |           | 237                |      |           |           |     |
|                      | Y132S-4/5.5            |                      |     |      |      |     |           |      | 1335       |      |     |     |     |           | 257                |      |           |           |     |
|                      | Y132M-4/7.5            |                      |     |      |      |     |           |      | 1375       |      |     |     |     |           | 266                |      |           |           |     |
|                      | Y160M-4/11             |                      |     |      |      |     |           |      | 1460       |      |     |     |     |           | 332                |      |           |           |     |
|                      | Y160M2-2/15            |                      |     |      |      |     |           |      | 1460       |      |     |     |     |           | 332                |      |           |           |     |
|                      | Y160L-2/18.5           |                      |     |      |      |     |           |      | 1530       |      |     |     |     |           | 332                |      |           |           |     |
|                      | Y180M-2/22             |                      |     |      |      |     |           |      | 1530       |      |     |     |     |           | 332                |      |           |           |     |
|                      | Y200L1-2/30            |                      |     |      |      |     |           |      | 1635       |      |     |     |     |           | 389                |      |           |           |     |
|                      | Y200L2-2/37            |                      |     |      |      |     |           |      | 1635       |      |     |     |     |           | 471                |      |           |           |     |
|                      | Y225M-2/45             |                      |     |      |      |     |           |      | 1675       |      |     |     |     |           | 565                |      |           |           |     |
|                      | Y250M-2/55             |                      |     |      |      |     |           |      | 1820       |      |     |     |     |           | 550                | 600  | 6-M16 220 | 565       |     |
|                      | Y280S-2/75             |                      |     |      |      |     |           |      | 670        |      |     |     |     |           | 720                | 450  |           | 820       |     |
|                      | ZA50-160               |                      |     |      |      |     |           |      | Y90S-4/1.1 |      |     |     |     |           | 1                  | 140  | 75        | 660       | 740 |
| Y90L-4/1.5           |                        | 1085                 | 130 |      |      |     |           |      |            |      |     |     |     |           |                    |      |           |           |     |
| Y00L1-4/2.2          |                        | 1130                 | 141 |      |      |     |           |      |            |      |     |     |     |           |                    |      |           |           |     |
| Y100L-2/3            |                        | 1220                 | 128 |      |      |     |           |      |            |      |     |     |     |           |                    |      |           |           |     |
| Y112M-2/4            |                        | 1240                 | 134 |      |      |     |           |      |            |      |     |     |     |           |                    |      |           |           |     |
| Y132S1-2/5.5         |                        | 1315                 | 166 |      |      |     |           |      |            |      |     |     |     |           |                    |      |           |           |     |
| Y132S2-2/7.5         |                        | 1315                 | 179 |      |      |     |           |      |            |      |     |     |     |           |                    |      |           |           |     |
| Y160M1-2/11          |                        | 1400                 | 210 |      |      |     |           |      |            |      |     |     |     |           |                    |      |           |           |     |
| Y160M2-2/15          |                        | 940                  | 230 | 1400 | 1400 | 310 | 4-M16 220 | 285  |            |      |     |     |     |           |                    |      |           |           |     |
| ZA50-200             |                        | Y90S-4/1.1           | 1   | 150  | 75   | 660 | 840       | 205  | 1250       | 1070 | 400 | 440 | 200 | 300       | 4-M12 220          |      |           |           |     |
|                      | Y90L-4/1.5             | 1095                 |     |      |      |     |           |      |            | 134  |     |     |     |           |                    |      |           |           |     |
|                      | Y00L1-4/2.2            | 1140                 |     |      |      |     |           |      |            | 145  |     |     |     |           |                    |      |           |           |     |
|                      | Y100L2-4/3             | 1140                 |     |      |      |     |           |      |            | 145  |     |     |     |           |                    |      |           |           |     |
|                      | Y112M-4/4              | 1160                 |     |      |      |     |           |      |            | 158  |     |     |     |           |                    |      |           |           |     |
|                      | Y132S2-2/7.5           | 1325                 | 212 |      |      |     |           |      |            |      |     |     |     |           |                    |      |           |           |     |
|                      | Y160M1-2/11            | 1450                 | 287 |      |      |     |           |      |            |      |     |     |     |           |                    |      |           |           |     |
|                      | Y160M2-2/15            | 1450                 | 287 |      |      |     |           |      |            |      |     |     |     |           |                    |      |           |           |     |
|                      | Y160L-2/18.5           | 1495                 | 287 |      |      |     |           |      |            |      |     |     |     |           |                    |      |           |           |     |
|                      | Y180M-2/22             | 1520                 | 940 |      |      |     |           |      |            | 230  |     |     |     |           |                    | 1400 | 1520      | 4-M16 220 | 287 |
|                      | Y200L1-2/30            | 1625                 | 365 |      |      |     |           |      |            | 348  |     |     |     |           |                    |      |           |           |     |
| ZA50-250             | Y00L1-4/2.2            | 2                    | 150 | 90   | 740  | 840 | 190       | 1120 | 1235       | 400  | 440 | 240 | 300 | 4-M12 220 | 184                |      |           |           |     |
|                      | Y100L2-4/3             |                      |     |      |      |     |           |      | 1235       |      |     |     |     |           | 184                |      |           |           |     |
|                      | Y112M-4/4              |                      |     |      |      |     |           |      | 1255       |      |     |     |     |           | 197                |      |           |           |     |
|                      | Y132S-4/5.5            |                      |     |      |      |     |           |      | 1330       |      |     |     |     |           | 228                |      |           |           |     |
|                      | Y132M-4/7.5            |                      |     |      |      |     |           |      | 1370       |      |     |     |     |           | 228                |      |           |           |     |
|                      | Y160M2-2/15            |                      |     |      |      |     |           |      | 1455       |      |     |     |     |           | 303                |      |           |           |     |
|                      | Y160L-2/18.5           |                      |     |      |      |     |           |      | 1500       |      |     |     |     |           | 303                |      |           |           |     |
|                      | Y180M-2/22             |                      |     |      |      |     |           |      | 1525       |      |     |     |     |           | 940                | 230  | 1400      | 1525      | 362 |
|                      | Y200L1-2/30            |                      |     |      |      |     |           |      | 1630       |      |     |     |     |           | 452                |      |           |           |     |
|                      | Y200L2-2/37            |                      |     |      |      |     |           |      | 1630       |      |     |     |     |           | 452                |      |           |           |     |
|                      | Y225M-2/45             |                      |     |      |      |     |           |      | 1670       |      |     |     |     |           | 452                |      |           |           |     |
|                      | Y250M-2/55             |                      |     |      |      |     |           |      | 1785       |      |     |     |     |           | 490                | 530  | 365       | 4-M16 220 | 575 |

| 泵型号<br>model of pump | 电机型号<br>Model of motor | 轴承架号<br>Name of shaft | A   | a   | L1   | L2   | L3   | L4   | L    | B1   | B          | h   | H   | n3-Md3X L  | 总重量<br>Weight (kg) |           |      |     |    |     |  |     |      |      |     |     |     |     |            |     |
|----------------------|------------------------|-----------------------|-----|-----|------|------|------|------|------|------|------------|-----|-----|------------|--------------------|-----------|------|-----|----|-----|--|-----|------|------|-----|-----|-----|-----|------------|-----|
| ZA50-315             | Y100L2-4/3             | 2                     | 175 | 90  | 940  |      | 230  | 1400 | 1255 | 490  | 530        | 280 | 365 | 4-M16 X220 | 230                |           |      |     |    |     |  |     |      |      |     |     |     |     |            |     |
|                      | Y112M-4/4              |                       |     |     |      |      |      |      | 1275 |      |            |     |     |            | 243                |           |      |     |    |     |  |     |      |      |     |     |     |     |            |     |
|                      | Y132S-4/5.5            |                       |     |     |      |      |      |      | 1350 |      |            |     |     |            | 272                |           |      |     |    |     |  |     |      |      |     |     |     |     |            |     |
|                      | Y132M-4/7.5            |                       |     |     |      |      |      |      | 1390 |      |            |     |     |            | 272                |           |      |     |    |     |  |     |      |      |     |     |     |     |            |     |
|                      | Y160M-4/11             |                       |     |     |      |      |      |      | 1475 |      |            |     |     |            | 338                |           |      |     |    |     |  |     |      |      |     |     |     |     |            |     |
|                      | Y160L-4/15             |                       |     |     |      |      |      |      | 1520 |      |            |     |     |            | 338                |           |      |     |    |     |  |     |      |      |     |     |     |     |            |     |
|                      | Y180M-2/22             | 3                     |     |     | 175  | 90   | 1060 | 530  | 270  | 1600 | 1610       | 550 | 600 | 280        | 450                | 6-M16X220 | 428  |     |    |     |  |     |      |      |     |     |     |     |            |     |
|                      | Y200L1-2/30            |                       |     |     |      |      |      |      |      |      | 1610       |     |     |            |                    |           | 505  |     |    |     |  |     |      |      |     |     |     |     |            |     |
|                      | Y200L2-2/37            |                       |     |     |      |      |      |      |      |      | 1715       |     |     |            |                    |           | 505  |     |    |     |  |     |      |      |     |     |     |     |            |     |
|                      | Y225M-2/45             |                       |     |     |      |      |      |      |      |      | 1755       |     |     |            |                    |           | 600  |     |    |     |  |     |      |      |     |     |     |     |            |     |
|                      | Y250M-2/55             |                       |     |     |      |      |      |      |      |      | 1870       |     |     |            |                    |           | 723  |     |    |     |  |     |      |      |     |     |     |     |            |     |
|                      | Y280S-2/75             |                       |     |     |      |      |      |      |      |      | 1940       |     |     |            |                    |           | 986  |     |    |     |  |     |      |      |     |     |     |     |            |     |
|                      | Y280M-2/90             |                       |     |     |      |      |      |      |      |      | 1990       |     |     |            |                    |           | 986  |     |    |     |  |     |      |      |     |     |     |     |            |     |
|                      | Y315S-2/110            |                       |     |     |      |      |      |      |      |      | 2040       |     |     |            |                    |           | 1342 |     |    |     |  |     |      |      |     |     |     |     |            |     |
|                      | Y315L1-2/160           |                       |     |     |      |      |      |      |      |      | 2180       |     |     |            |                    |           | 1342 |     |    |     |  |     |      |      |     |     |     |     |            |     |
| ZA50-400             | Y132M-4/7.5            | 2                     | 165 | 105 | 940  |      | 230  | 1400 | 1380 | 490  | 530        | 335 | 430 | 4-M16X220  | 321                |           |      |     |    |     |  |     |      |      |     |     |     |     |            |     |
|                      | Y160M-4/11             |                       |     |     |      |      |      |      | 1460 |      |            |     |     |            | 388                |           |      |     |    |     |  |     |      |      |     |     |     |     |            |     |
|                      | Y160L-4/15             |                       |     |     |      |      |      |      | 1510 |      |            |     |     |            | 388                |           |      |     |    |     |  |     |      |      |     |     |     |     |            |     |
|                      | Y180M-4/18.5           |                       |     |     |      |      |      |      | 1535 |      |            |     |     |            | 388                |           |      |     |    |     |  |     |      |      |     |     |     |     |            |     |
|                      | Y180L-4/22             |                       |     |     |      |      |      |      | 1575 |      |            |     |     |            | 444                |           |      |     |    |     |  |     |      |      |     |     |     |     |            |     |
|                      | Y200L-4/30             |                       |     |     |      |      |      |      | 1640 |      |            |     |     |            | 526                |           |      |     |    |     |  |     |      |      |     |     |     |     |            |     |
|                      | Y225M-4/45             | 3                     |     |     | 165  | 105  | 1060 | 530  | 270  | 1600 | 1745       | 670 | 720 | 335        | 450                | 6-M16X220 | 654  |     |    |     |  |     |      |      |     |     |     |     |            |     |
|                      | Y250M-2/55             |                       |     |     |      |      |      |      |      |      | 1860       |     |     |            |                    |           | 777  |     |    |     |  |     |      |      |     |     |     |     |            |     |
|                      | Y280S-2/75             |                       |     |     |      |      |      |      |      |      | 1930       |     |     |            |                    |           | 1029 |     |    |     |  |     |      |      |     |     |     |     |            |     |
|                      | Y280M-2/90             |                       |     |     |      |      |      |      |      |      | 1980       |     |     |            |                    |           | 1029 |     |    |     |  |     |      |      |     |     |     |     |            |     |
|                      | Y315S-2/110            |                       |     |     |      |      |      |      |      |      | 2130       |     |     |            |                    |           | 1357 |     |    |     |  |     |      |      |     |     |     |     |            |     |
|                      | Y315M-2/132            |                       |     |     |      |      |      |      |      |      | 2180       |     |     |            |                    |           | 1357 |     |    |     |  |     |      |      |     |     |     |     |            |     |
|                      | Y315L1-2/160           |                       |     |     |      |      |      |      |      |      | 2180       |     |     |            |                    |           | 1357 |     |    |     |  |     |      |      |     |     |     |     |            |     |
|                      | ZA80-160               |                       |     |     |      |      |      |      |      |      | Y90S-4/1.1 |     |     |            |                    |           | 2    | 155 | 90 | 740 |  | 190 | 1120 | 1165 | 400 | 440 | 220 | 315 | 4-M12 X220 | 166 |
|                      |                        |                       |     |     |      |      |      |      |      |      | Y90L-4/1.5 |     |     |            |                    |           |      |     |    |     |  |     |      | 1190 |     |     |     |     |            | 166 |
| Y00L1-4/2.2          |                        | 1235                  | 177 |     |      |      |      |      |      |      |            |     |     |            |                    |           |      |     |    |     |  |     |      |      |     |     |     |     |            |     |
| Y100L2-4/3           |                        | 840                   |     | 205 | 1250 | 1235 | 230  | 1400 | 1235 | 400  | 440        | 220 | 315 | 4-M12 X220 | 177                |           |      |     |    |     |  |     |      |      |     |     |     |     |            |     |
| Y112M-4/4            |                        |                       |     |     |      | 1235 |      |      | 190  |      |            |     |     |            |                    |           |      |     |    |     |  |     |      |      |     |     |     |     |            |     |
| Y132S1-2/5.5         |                        |                       |     |     |      | 1330 |      |      | 221  |      |            |     |     |            |                    |           |      |     |    |     |  |     |      |      |     |     |     |     |            |     |
| Y132S2-2/7.5         |                        |                       |     |     |      | 1330 |      |      | 221  |      |            |     |     |            |                    |           |      |     |    |     |  |     |      |      |     |     |     |     |            |     |
| Y160M1-2/11          |                        |                       |     |     |      | 1455 |      |      | 297  |      |            |     |     |            |                    |           |      |     |    |     |  |     |      |      |     |     |     |     |            |     |
| Y160M2-2/15          |                        |                       |     |     |      | 1455 |      |      | 297  |      |            |     |     |            |                    |           |      |     |    |     |  |     |      |      |     |     |     |     |            |     |
| Y160L-2/18.5         |                        | 1500                  | 297 |     |      |      |      |      |      |      |            |     |     |            |                    |           |      |     |    |     |  |     |      |      |     |     |     |     |            |     |
| Y200L1-2/30          |                        | 1625                  | 384 |     |      |      |      |      |      |      |            |     |     |            |                    |           |      |     |    |     |  |     |      |      |     |     |     |     |            |     |

| 泵型号<br>model of pump | 电机型号<br>Model of motor | 轴承号<br>Name of shaft | A   | a   | L1   | L2  | L3   | L4   | L   | B1  | B   | h   | H         | n3-Md3X L | 总重量<br>Weight (kg) |      |           |           |     |           |     |
|----------------------|------------------------|----------------------|-----|-----|------|-----|------|------|-----|-----|-----|-----|-----------|-----------|--------------------|------|-----------|-----------|-----|-----------|-----|
| ZA80-200             | Y90L-4/1.5             | 2                    | 160 | 90  | 660  | 190 | 1120 | 1150 | 400 | 440 | 240 | 300 | 4-M14 220 | 154       |                    |      |           |           |     |           |     |
|                      | Y00L1-4/2.2            |                      |     |     | 1150 |     |      |      |     |     |     |     |           | 169       |                    |      |           |           |     |           |     |
|                      | Y100L2-4/3             |                      |     |     | 1150 |     |      |      |     |     |     |     |           | 169       |                    |      |           |           |     |           |     |
|                      | Y112M-4/4              |                      |     |     | 740  |     |      |      |     |     |     |     |           | 1170      | 182                |      |           |           |     |           |     |
|                      | Y132S-4/5.5            |                      |     |     | 1245 |     |      |      |     |     |     |     |           | 210       |                    |      |           |           |     |           |     |
|                      | Y132M-4/7.5            |                      |     |     | 1285 |     |      |      |     |     |     |     |           | 210       |                    |      |           |           |     |           |     |
|                      | Y160M1-2/11            |                      |     |     | 1370 |     |      |      |     |     |     |     |           | 280       |                    |      |           |           |     |           |     |
|                      | Y160M2-2/15            |                      |     |     | 1370 |     |      |      |     |     |     |     |           | 280       |                    |      |           |           |     |           |     |
|                      | Y180M-2/22             |                      |     |     | 1440 |     |      |      |     |     |     |     |           | 348       |                    |      |           |           |     |           |     |
|                      | Y200L1-2/30            |                      |     |     | 1545 |     |      |      |     |     |     |     |           | 424       |                    |      |           |           |     |           |     |
|                      | Y200L2-2/37            |                      |     |     | 940  |     |      |      |     |     |     |     |           | 230       | 1400               | 1545 | 350       | 4-M16 220 | 442 |           |     |
|                      | Y225M-2/45             |                      |     |     | 1595 |     |      |      |     |     |     |     |           | 300       | 504                |      |           |           |     |           |     |
| ZA80-250             | Y100L2-4/3             | 2                    | 165 | 105 | 840  | 205 | 1250 | 1245 | 400 | 440 | 260 | 365 | 4-M12 220 | 205       |                    |      |           |           |     |           |     |
|                      | Y112M-4/4              |                      |     |     |      |     |      | 1265 |     |     |     |     |           | 219       |                    |      |           |           |     |           |     |
|                      | Y132S-4/5.5            |                      |     |     |      |     |      | 1340 |     |     |     |     |           | 247       |                    |      |           |           |     |           |     |
|                      | Y132M-4/7.5            |                      |     |     |      |     |      | 1380 |     |     |     |     |           | 247       |                    |      |           |           |     |           |     |
|                      | Y160M-4/11             |                      |     |     |      |     |      | 1465 |     |     |     |     |           | 324       |                    |      |           |           |     |           |     |
|                      | Y160L-4/15             |                      |     |     |      |     |      | 940  |     |     |     |     |           | 230       | 1400               | 1510 | 4-M16 220 | 324       |     |           |     |
|                      | Y180M-2/22             |                      |     |     |      |     |      | 1535 |     |     |     |     |           | 380       |                    |      |           |           |     |           |     |
|                      | Y200L1-2/30            |                      |     |     |      |     |      | 1640 |     |     |     |     |           | 468       |                    |      |           |           |     |           |     |
|                      | Y200L2-2/37            |                      |     |     |      |     |      | 1640 |     |     |     |     |           | 468       |                    |      |           |           |     |           |     |
|                      | Y225M-2/45             |                      |     |     |      |     |      | 1060 |     |     |     |     |           | 530       | 270                | 1600 | 1680      | 490       | 530 | 6-M16 220 | 563 |
|                      | Y250M-2/55             |                      |     |     |      |     |      | 1795 |     |     |     |     |           | 550       | 600                | 686  |           |           |     |           |     |
|                      | Y280S-2/75             |                      |     |     |      |     |      | 1865 |     |     |     |     |           | 670       | 720                | 948  |           |           |     |           |     |
| Y280M-2/90           | 1915                   | 450                  | 948 |     |      |     |      |      |     |     |     |     |           |           |                    |      |           |           |     |           |     |
| ZA80-315             | Y132S-4/5.5            | 2                    | 185 | 105 | 940  | 230 | 1400 | 1400 | 490 | 530 | 290 | 365 | 4-M16 220 | 288       |                    |      |           |           |     |           |     |
|                      | Y132M-4/7.5            |                      |     |     |      |     |      | 1440 |     |     |     |     |           | 288       |                    |      |           |           |     |           |     |
|                      | Y160M-4/11             |                      |     |     |      |     |      | 1525 |     |     |     |     |           | 354       |                    |      |           |           |     |           |     |
|                      | Y160L-4/15             |                      |     |     |      |     |      | 1570 |     |     |     |     |           | 354       |                    |      |           |           |     |           |     |
|                      | Y180M-4/18.5           |                      |     |     |      |     |      | 1595 |     |     |     |     |           | 415       |                    |      |           |           |     |           |     |
|                      | Y180L-4/22             |                      |     |     |      |     |      | 1635 |     |     |     |     |           | 415       |                    |      |           |           |     |           |     |
|                      | Y200L2-2/37            |                      |     |     |      |     |      | 1060 |     |     |     |     |           | 530       | 270                | 1600 | 1700      | 492       |     |           |     |
|                      | Y225M-2/45             |                      |     |     |      |     |      | 1740 |     |     |     |     |           | 588       |                    |      |           |           |     |           |     |
|                      | Y250M-2/55             |                      |     |     |      |     |      | 1855 |     |     |     |     |           | 710       |                    |      |           |           |     |           |     |
|                      | Y280S-2/75             |                      |     |     |      |     |      | 1925 |     |     |     |     |           | 972       |                    |      |           |           |     |           |     |

| 泵型号<br>model of pump | 电机型号<br>Model of motor | 轴承号<br>Name of shaft | A    | a   | L1         | L2   | L3  | L4   | L    | B1   | B   | h   | H   | n3-Md3X L | 总重量<br>Weight (kg) |      |      |      |      |      |
|----------------------|------------------------|----------------------|------|-----|------------|------|-----|------|------|------|-----|-----|-----|-----------|--------------------|------|------|------|------|------|
| ZA80-315             | Y280M-2/90             |                      |      |     | 1200       | 600  | 300 | 1800 | 1975 | 670  | 720 |     | 450 | 6-M16 220 | 972                |      |      |      |      |      |
|                      | Y315S-2/110            |                      |      |     | 1600       | 800  | 320 | 2240 | 2075 | 730  | 780 |     | 570 |           | 1250               |      |      |      |      |      |
|                      | Y315M-2/132            |                      |      |     |            |      |     |      | 2175 |      |     |     |     |           | 1338               |      |      |      |      |      |
|                      | Y315L1-2/160           |                      |      |     |            |      |     |      | 2175 |      |     |     |     |           | 1413               |      |      |      |      |      |
| ZA80-400             | Y160M-4/11             | 2                    | 180  | 105 | 940        |      | 230 | 1400 | 1520 | 490  | 530 | 350 | 430 | 4-M16 220 | 398                |      |      |      |      |      |
|                      | Y160L-4/15             |                      |      |     |            |      |     |      | 1565 |      |     |     |     |           | 398                |      |      |      |      |      |
|                      | Y180M-4/18.5           |                      |      |     |            |      |     |      | 1590 |      |     |     |     |           | 432                |      |      |      |      |      |
|                      | Y180L-4/22             |                      |      |     | 1630       | 459  |     |      |      |      |     |     |     |           |                    |      |      |      |      |      |
|                      | Y200L-4/30             |                      |      |     | 1695       | 537  |     |      |      |      |     |     |     |           |                    |      |      |      |      |      |
|                      | Y225S-4/37             |                      |      |     | 1740       | 631  |     |      |      |      |     |     |     |           |                    |      |      |      |      |      |
|                      | Y225M-4/45             |                      |      |     | 1765       | 631  |     |      |      |      |     |     |     |           |                    |      |      |      |      |      |
|                      | Y280S-2/75             |                      |      |     | 1985       | 1060 | 530 | 270  | 1600 |      |     |     |     | 1985      | 670                | 720  | 450  | 1049 |      |      |
|                      | Y280M-2/90             |                      |      |     |            |      |     |      |      |      |     |     |     |           |                    |      |      |      | 2035 | 1049 |
|                      | Y315M-2/132            |                      |      |     |            |      |     |      |      |      |     |     |     |           |                    |      |      |      | 2235 | 1600 |
|                      | Y315L1-2/160           |                      |      |     | 2235       | 1463 |     |      |      |      |     |     |     |           |                    |      |      |      |      |      |
|                      | ZA100-160              |                      |      |     | Y90S-4/1.1 | 2    | 175 | 90   | 740  |      |     |     |     |           | 190                | 1120 | 1185 | 400  | 440  | 260  |
| Y90L-4/1.5           |                        | 1210                 | 174  |     |            |      |     |      |      |      |     |     |     |           |                    |      |      |      |      |      |
| Y00L1-4/2.2          |                        | 1255                 | 185  |     |            |      |     |      |      |      |     |     |     |           |                    |      |      |      |      |      |
| Y100L2-4/3           |                        | 1255                 | 185  |     |            |      |     |      |      |      |     |     |     |           |                    |      |      |      |      |      |
| Y112M-4/4            |                        | 1275                 | 198  |     |            |      |     |      |      |      |     |     |     |           |                    |      |      |      |      |      |
| Y132S-4/5.5          |                        | 1350                 | 229  |     |            |      |     |      |      |      |     |     |     |           |                    |      |      |      |      |      |
| Y132S2-2/7.5         |                        | 1350                 | 229  |     |            |      |     |      |      |      |     |     |     |           |                    |      |      |      |      |      |
| Y160M1-2/11          |                        | 1475                 | 940  | 230 | 1400       |      |     |      | 1475 | 400  | 440 | 260 | 365 | 305       |                    |      |      |      |      |      |
| Y160M2-2/15          |                        | 1475                 |      |     |            |      |     |      | 305  |      |     |     |     |           |                    |      |      |      |      |      |
| Y160L-2/18.5         |                        | 1520                 |      |     |            |      |     |      | 305  |      |     |     |     |           |                    |      |      |      |      |      |
| Y180M-2/22           |                        | 1545                 | 1060 | 530 | 270        |      |     |      | 1600 | 1545 | 490 | 530 | 260 | 365       | 6-M16 220          | 364  |      |      |      |      |
| Y200L1-2/30          |                        | 1650                 |      |     |            |      |     |      |      | 453  |     |     |     |           |                    |      |      |      |      |      |
| Y200L2-2/37          |                        | 1650                 |      |     |            |      |     |      |      | 453  |     |     |     |           |                    |      |      |      |      |      |
| Y112M-4/4            |                        | 1305                 |      |     |            |      |     |      |      | 217  |     |     |     |           |                    |      |      |      |      |      |
| Y132S-4/5.5          |                        | 1380                 |      |     |            |      |     |      |      | 246  |     |     |     |           |                    |      |      |      |      |      |
| Y132M-4/7.5          |                        | 1420                 | 246  |     |            |      |     |      |      |      |     |     |     |           |                    |      |      |      |      |      |
| Y160M-4/11           |                        | 1505                 | 940  | 230 | 1400       |      |     |      | 1505 | 1550 |     |     |     |           | 4-M16 220          | 322  |      |      |      |      |
| Y160L-2/18.5         |                        | 1550                 |      |     |            |      |     |      | 322  |      |     |     |     |           |                    |      |      |      |      |      |

| 泵型号<br>model of pump | 电机型号<br>Model of motor | 轴承号<br>Name of shaft | A    | a   | L1   | L2   | L3  | L4   | L    | B1  | B   | h   | H         | n3-Md3X L | 总重量<br>Weight (kg) |      |
|----------------------|------------------------|----------------------|------|-----|------|------|-----|------|------|-----|-----|-----|-----------|-----------|--------------------|------|
| ZA100-200            | Y180M-2/22             | 2                    | 165  | 90  | 1060 | 530  | 270 | 1600 | 1575 | 490 | 530 | 270 | 450       | 6-M16 220 | 378                |      |
|                      | Y200L1-2/30            |                      |      |     |      |      |     |      | 1680 |     |     |     | 365       |           | 467                |      |
|                      | Y200L2-2/37            |                      |      |     |      |      |     |      | 1680 |     |     |     | 365       |           | 467                |      |
|                      | Y225M-2/45             |                      |      |     |      |      |     |      | 1720 |     |     |     | 365       |           | 561                |      |
|                      | Y250M-2/55             |                      |      |     |      |      |     |      | 1835 |     |     |     | 550       |           | 600                | 684  |
|                      | Y280S-2/75             |                      |      |     |      |      |     |      | 1905 |     |     |     | 670       |           | 720                | 947  |
| ZA100-315            | Y160M-4/11             | 2                    | 195  | 105 | 940  | 530  | 230 | 1400 | 1535 | 490 | 530 | 430 | 430       | 4-M16 220 | 366                |      |
|                      | Y160L-4/15             |                      |      |     |      |      |     |      | 1580 |     |     |     |           |           | 366                |      |
|                      | Y180M-4/18.5           |                      |      |     |      |      |     |      | 1650 |     |     |     |           |           | 430                | 430  |
|                      | Y180L-4/22             |                      |      |     |      |      |     |      | 1645 |     |     |     |           |           | 430                | 430  |
|                      | Y200L-4/30             |                      |      |     |      |      |     |      | 1710 |     |     |     |           |           | 430                | 509  |
|                      | Y225S-4/37             |                      |      |     |      |      |     |      | 1710 |     |     |     |           |           | 430                | 509  |
|                      | Y280S-2/75             | 3                    | 195  | 105 | 1200 | 600  | 300 | 1800 | 2000 | 670 | 720 | 320 | 450       | 6-M16 220 | 1001               |      |
|                      | Y280M-2/90             |                      |      |     |      |      |     |      | 2050 |     |     |     |           |           | 1001               |      |
|                      | Y315S-2/110            |                      |      |     |      |      |     |      | 2000 |     |     |     |           |           | 530                | 1334 |
|                      | Y315M-2/132            |                      |      |     |      |      |     |      | 2250 |     |     |     |           |           | 530                | 1334 |
| Y315L1-2/160         | 2250                   | 530                  | 1334 |     |      |      |     |      |      |     |     |     |           |           |                    |      |
| ZA100-400            | Y160L-4/15             | 3                    | 210  | 125 | 1060 | 530  | 270 | 1600 | 1660 | 550 | 600 | 380 | 430       | 6-M16 220 | 493                |      |
|                      | Y180M-4/18.5           |                      |      |     |      |      |     |      | 1725 |     |     |     |           |           | 552                |      |
|                      | Y180L-4/22             |                      |      |     |      |      |     |      | 1725 |     |     |     |           |           | 552                |      |
|                      | Y200L-4/30             |                      |      |     |      |      |     |      | 1790 |     |     |     |           |           | 630                |      |
|                      | Y225S-4/37             |                      |      |     |      |      |     |      | 1835 |     |     |     |           |           | 725                |      |
|                      | Y225M-4/45             |                      |      |     |      |      |     |      | 1860 |     |     |     |           |           | 725                |      |
|                      | Y250M-4/55             | 1945                 | 838  |     |      |      |     |      |      |     |     |     |           |           |                    |      |
|                      | Y280S-4/75             | 1200                 | 600  | 300 | 1800 | 2015 | 670 | 720  | 1077 |     |     |     |           |           |                    |      |
|                      | Y315S-2/110            | 4                    | 210  | 125 | 1600 | 800  | 320 | 2240 | 2265 | 730 | 780 | 570 | 6-M20 220 | 1542      |                    |      |
|                      | Y315L1-2/160           |                      |      |     |      |      |     |      | 2315 |     |     |     |           | 1542      |                    |      |
| ZA100-500            | Y200L-4/30             | 3                    | 220  | 125 | 1200 | 600  | 300 | 1800 | 1875 | 670 | 720 | 150 | 530       | 6-M16 220 | 730                |      |
|                      | Y225S-4/37             |                      |      |     |      |      |     |      | 1915 |     |     |     |           |           | 826                |      |
|                      | Y225M-4/45             |                      |      |     |      |      |     |      | 2025 |     |     |     |           |           | 865                |      |
|                      | Y250M-4/55             |                      |      |     |      |      |     |      | 2025 |     |     |     |           |           | 917                |      |
|                      | Y280S-4/75             |                      |      |     |      |      |     |      | 2095 |     |     |     |           |           | 1163               |      |
|                      | Y280M-4/90             |                      |      |     |      |      |     |      | 2014 |     |     |     |           |           | 1475               |      |
|                      | Y315S-4/110            |                      |      |     |      |      |     |      | 2295 |     |     |     |           |           | 1475               |      |



| 泵型号<br>model of pump | 电机型号<br>Model of motor | 轴承号<br>Name of shaft | A   | a   | L1   | L2        | L3   | L4        | L         | B1        | B   | h   | H   | n3-Md3X L | 总重量<br>Weight (kg) |
|----------------------|------------------------|----------------------|-----|-----|------|-----------|------|-----------|-----------|-----------|-----|-----|-----|-----------|--------------------|
| ZA150-200            | Y100L2-4/3             | 2                    | 200 | 105 | 940  |           | 230  | 1400      | 1320      | 490       | 530 | 310 | 365 | 4-M16 220 | 274                |
|                      | Y112M-4/4              |                      |     |     |      |           |      |           | 1340      |           |     |     |     |           | 274                |
|                      | Y132S-4/5.5            |                      |     |     |      |           |      |           | 1415      |           |     |     |     |           | 274                |
|                      | Y132M-4/7.5            |                      |     |     |      |           |      |           | 1455      |           |     |     |     |           | 274                |
|                      | Y160M-4/11             |                      |     |     |      |           |      |           | 1540      |           |     |     |     |           | 340                |
|                      | Y160L-4/15             |                      |     |     |      |           |      |           | 1585      |           |     |     |     |           | 340                |
|                      | Y180M-2/22             |                      |     |     |      |           |      |           | 1610      |           |     |     |     |           | 6-M16 220          |
|                      | Y200L1-2/30            |                      |     |     | 1715 | 478       |      |           |           |           |     |     |     |           |                    |
|                      | Y200L2-2/37            |                      |     |     | 1715 | 478       |      |           |           |           |     |     |     |           |                    |
|                      | Y225M-2/45             |                      |     |     | 1755 | 573       |      |           |           |           |     |     |     |           |                    |
|                      | Y250M-2/55             |                      |     |     | 1870 | 550       | 600  | 450       | 6-M20 220 | 696       |     |     |     |           |                    |
|                      | Y280S-2/75             |                      |     |     | 1940 | 670       | 720  |           | 530       | 6-M16 220 | 958 |     |     |           |                    |
|                      | Y280M-2/90             |                      |     |     | 1990 |           |      | 958       |           |           |     |     |     |           |                    |
|                      | Y315S-2/110            |                      |     |     | 2140 |           |      | 1286      |           |           |     |     |     |           |                    |
| ZA150-250            | Y160M-4/11             | 2                    | 200 | 105 | 940  |           | 230  | 1400      | 1540      | 490       | 530 | 315 | 430 | 4-M16 220 | 379                |
|                      | Y160L-4/15             |                      |     |     |      |           |      |           | 1585      |           |     |     |     |           | 379                |
|                      | Y180M-4/18.5           |                      |     |     | 1610 | 6-M16 220 | 443  |           |           |           |     |     |     |           |                    |
|                      | Y180L-4/22             |                      |     |     | 1650 |           | 443  |           |           |           |     |     |     |           |                    |
|                      | Y200L-4/30             |                      |     |     | 1715 |           | 521  |           |           |           |     |     |     |           |                    |
|                      | Y280S-2/75             | 2005                 |     |     | 450  | 1017      |      |           |           |           |     |     |     |           |                    |
|                      | Y280M-2/90             | 2055                 |     |     |      |           | 1017 |           |           |           |     |     |     |           |                    |
|                      | Y315S-2/110            | 2205                 |     |     | 530  | 6-M16 220 | 1350 |           |           |           |     |     |     |           |                    |
|                      | Y315M-2/132            | 2255                 |     |     |      |           | 1350 |           |           |           |     |     |     |           |                    |
|                      | Y315L1-2/160           | 2255                 |     |     |      |           | 1350 |           |           |           |     |     |     |           |                    |
| ZA150-315            | Y160L-4/15             | 3                    | 205 | 125 | 1060 | 530       | 270  | 1600      | 1655      | 550       | 600 | 370 | 450 | 6-M16 220 | 448                |
|                      | Y180M-4/18.5           |                      |     |     |      |           |      |           | 1680      |           |     |     |     |           | 507                |
|                      | Y180L-4/22             |                      |     |     |      |           |      |           | 1720      |           |     |     |     |           | 507                |
|                      | Y200L-4/30             |                      |     |     |      |           |      |           | 1785      |           |     |     |     |           | 585                |
|                      | Y225S-4/37             |                      |     |     |      |           |      |           | 1830      |           |     |     |     |           | 679                |
|                      | Y225M-4/45             |                      |     |     |      |           |      |           | 1855      |           |     |     |     |           | 679                |
|                      | Y250M-4/55             | 1940                 |     |     | 793  |           |      |           |           |           |     |     |     |           |                    |
|                      | Y280M-2/90             | 2060                 |     |     | 670  | 720       | 570  | 6-M20 220 | 1032      |           |     |     |     |           |                    |
|                      | Y315S-2/110            | 2210                 |     |     | 730  | 780       |      |           | 370       | 1446      |     |     |     |           |                    |
|                      | Y315M-2/132            | 2260                 |     |     |      |           |      |           |           | 1446      |     |     |     |           |                    |
|                      | Y315L1-2/160           | 2260                 |     |     |      |           |      | 1446      |           |           |     |     |     |           |                    |

| 泵型号<br>model of pump | 电机型号<br>Model of motor | 轴承号<br>Name of shaft | A   | a   | L1   | L2  | L3   | L4   | L    | B1  | B   | h   | H         | n3-Md3X L | 总重量<br>Weight (kg) |
|----------------------|------------------------|----------------------|-----|-----|------|-----|------|------|------|-----|-----|-----|-----------|-----------|--------------------|
| ZA150-400            | Y200L-4/30             | 3                    | 230 | 125 | 1200 | 600 | 300  | 1800 | 1880 | 670 | 720 | 410 | 530       | 6-M16 220 | 676                |
|                      | Y225S-4/37             |                      |     |     |      |     |      |      | 1925 |     |     |     |           |           | 772                |
|                      | Y225M-4/45             |                      |     |     |      |     |      |      | 2035 |     |     |     |           |           | 863                |
|                      | Y250M-4/55             |                      |     |     |      |     |      |      | 2035 |     |     |     |           |           | 863                |
|                      | Y280S-4/75             |                      |     |     | 1400 | 700 | 2000 | 2105 | 1109 |     |     |     |           |           |                    |
|                      | Y280M-4/90             |                      |     |     |      |     |      | 2155 | 1109 |     |     |     |           |           |                    |
|                      | Y315S-4/110            |                      |     |     |      |     |      | 2305 | 1421 |     |     |     |           |           |                    |
| ZA150-500            | Y225M-4/45             | 3                    | 240 | 125 | 1200 | 600 | 300  | 1800 | 1960 | 670 | 720 | 500 | 600       | 6-M16 220 | 861                |
|                      | Y250M-4/55             |                      |     |     | 1400 | 700 |      | 2000 | 2115 |     |     |     |           |           | 950                |
|                      | Y280S-4/75             |                      |     |     |      |     |      |      | 2115 |     |     |     |           |           | 1199               |
|                      | Y280M-4/90             |                      |     |     |      |     |      |      | 2165 |     |     |     |           |           | 1199               |
| ZA150-500            | Y315S-4/110            | 3                    | 240 | 125 | 1600 | 800 | 320  | 2240 | 2240 | 730 | 780 | 500 | 640       | 6-M20 220 | 1594               |
|                      | Y315M-4/132            |                      |     |     |      |     |      |      | 2240 |     |     |     |           |           | 1594               |
|                      | Y315L1-4/160           |                      |     |     |      |     |      |      | 2240 |     |     |     |           |           | 1594               |
| ZA150-560            | Y280S-4/75             | 4                    | 250 | 155 | 1400 | 700 | 300  | 2000 | 2175 | 670 | 720 | 500 | 600       | 6-M16 220 | 1358               |
|                      | Y280M-4/90             |                      |     |     |      |     |      |      | 2225 |     |     |     |           |           | 1358               |
|                      | Y315S-4/110            |                      |     |     | 1600 | 800 | 320  | 2240 | 2375 | 730 | 780 | 500 | 640       | 6-M20 220 | 1752               |
|                      | Y315M-4/132            |                      |     |     |      |     |      |      | 2425 |     |     |     |           |           | 1752               |
|                      | Y315L1-4/160           |                      |     |     |      |     |      |      | 2425 |     |     |     |           |           | 1752               |
| ZA150-630            | Y280S-4/75             | 4                    | 260 | 160 | 1600 | 800 | 300  | 2240 | 2235 | 920 | 970 | 540 | 700       | 6-M16 220 | 1524               |
|                      | Y280M-4/90             |                      |     |     |      |     |      |      | 2285 |     |     |     |           |           | 1524               |
|                      | Y315S-4/110            |                      |     |     |      |     |      |      | 2435 |     |     |     |           |           | 1847               |
|                      | Y315M-4/132            |                      |     |     |      |     |      |      | 2435 |     |     |     |           |           | 1847               |
|                      | Y315L1-4/160           |                      |     |     |      |     |      |      | 2435 |     |     |     |           |           | 1847               |
| ZA200-250            | Y160L-4/15             | 3                    | 235 | 125 | 1060 | 530 | 270  | 1600 | 1755 | 550 | 600 | 300 | 450       | 6-M16 220 | 486                |
|                      | Y180M-4/18.5           |                      |     |     |      |     |      |      | 1780 |     |     |     |           |           | 545                |
|                      | Y180L-4/22             |                      |     |     |      |     |      |      | 1820 |     |     |     |           |           | 545                |
|                      | Y200L-4/30             |                      |     |     | 1200 | 600 | 300  | 1800 | 1855 | 670 | 720 | 300 | 530       |           | 645                |
|                      | Y225S-4/37             |                      |     |     |      |     |      |      | 1930 |     |     |     |           |           | 741                |
|                      | Y225M-4/45             |                      |     |     |      |     |      |      | 1955 |     |     |     |           |           | 741                |
|                      | Y280S-2/75             |                      |     |     | 1400 | 700 | 2000 | 2110 | 670  | 720 | 300 | 530 | 1092      |           |                    |
|                      | Y280M-2/90             |                      |     |     |      |     |      |      |      |     |     |     | 2160      |           | 1092               |
|                      | Y315S-2/110            |                      |     |     | 1600 | 800 | 320  | 2240 | 2310 | 730 | 780 | 570 | 6-M20 220 |           | 1484               |
|                      | Y315M-2/132            |                      |     |     |      |     |      |      | 2360 |     |     |     |           |           | 1484               |
|                      | Y315L1-2/160           |                      |     |     |      |     |      |      | 2360 |     |     |     |           |           | 1484               |

| 泵型号<br>model of pump | 电机型号<br>Model of motor | 轴承号<br>Name of shaft | A   | a   | L1        | L2   | L3  | L4   | L    | B1  | B   | h   | H   | n3-Md3X L | 总重量<br>Weight (kg) |
|----------------------|------------------------|----------------------|-----|-----|-----------|------|-----|------|------|-----|-----|-----|-----|-----------|--------------------|
| ZA200-315            | Y180M-4/18.5           | 3                    | 245 | 125 | 1060      | 530  | 270 | 2600 | 1790 | 550 | 660 | 420 | 530 | 6-M16 220 | 563                |
|                      | Y180L-4/22             |                      |     |     |           |      |     |      | 1830 |     |     |     |     |           | 563                |
|                      | Y200L-4/30             |                      |     |     |           |      |     |      | 1895 |     |     |     |     |           | 665                |
|                      | Y225S-4/37             |                      |     |     | 1940      | 761  |     |      |      |     |     |     |     |           |                    |
|                      | Y225M-4/45             |                      |     |     | 1965      | 1484 |     |      |      |     |     |     |     |           |                    |
|                      | Y250M-4/55             |                      |     |     | 2050      | 852  |     |      |      |     |     |     |     |           |                    |
|                      | Y280S-4/75             |                      |     |     | 2000 2120 | 1098 |     |      |      |     |     |     |     |           |                    |
| ZA200-400            | Y225M-4/45             | 3                    | 260 | 125 | 1200      | 600  | 300 | 1800 | 1980 | 670 | 720 | 470 | 530 | 6-M16 220 | 823                |
|                      | Y250M-4/55             |                      |     |     |           |      |     |      | 2065 |     |     |     |     |           | 914                |
|                      | Y280S-4/75             |                      |     |     |           |      |     |      | 2135 |     |     |     |     |           | 1160               |
|                      | Y280M-4/90             |                      |     |     | 2185      | 1160 |     |      |      |     |     |     |     |           |                    |
|                      | Y315S-4/110            |                      |     |     | 2335      | 1552 |     |      |      |     |     |     |     |           |                    |
|                      | Y315M-4/132            |                      |     |     | 2385      | 1552 |     |      |      |     |     |     |     |           |                    |
|                      | Y315L1-4/160           |                      |     |     | 2385      | 1552 |     |      |      |     |     |     |     |           |                    |
| ZA200-500            | Y280S-4/75             | 4                    | 265 | 155 | 1400      | 700  | 300 | 2000 | 2190 | 670 | 720 | 540 | 600 | 6-M16 220 | 1299               |
|                      | Y280M-4/90             |                      |     |     |           |      |     |      | 2240 |     |     |     |     |           | 1299               |
|                      | Y315S-4/110            |                      |     |     |           |      |     |      | 2390 |     |     |     |     |           | 1694               |
|                      | Y315M-4/132            |                      |     |     | 2440      | 1694 |     |      |      |     |     |     |     |           |                    |
|                      | Y315L1-4/160           |                      |     |     | 2440      | 1694 |     |      |      |     |     |     |     |           |                    |
| ZA200-560            | Y315S-4/110            | 5                    | 270 | 155 | 1600      | 800  | 320 | 2240 | 2550 | 730 | 780 | 570 | 640 | 6-M20 400 | 1855               |
|                      | Y315M-4/132            |                      |     |     |           |      |     |      | 2600 |     |     |     |     |           | 1855               |
|                      | Y315L1-4/160           |                      |     |     |           |      |     |      | 2600 |     |     |     |     |           | 1855               |
| ZA200-630            | Y315M-4/132            | 6                    | 280 | 155 |           |      |     |      |      |     |     |     |     |           |                    |
|                      |                        |                      |     |     |           |      |     |      |      |     |     |     |     |           |                    |
| ZA250-315            | Y200L-4/303            | 3                    | 255 | 125 | 1200      | 600  | 300 | 1800 | 1905 | 670 | 720 | 470 | 530 | 6-M16 220 | 729                |
|                      | Y225S-4/37             |                      |     |     |           |      |     |      | 1950 |     |     |     |     |           | 825                |
|                      | Y225M-4/45             |                      |     |     |           |      |     |      | 1975 |     |     |     |     |           | 825                |
|                      | Y250M-4/55             |                      |     |     | 2060      | 916  |     |      |      |     |     |     |     |           |                    |
|                      | Y280S-4/75             |                      |     |     | 2130      | 1162 |     |      |      |     |     |     |     |           |                    |
|                      | Y280M-4/90             |                      |     |     | 2180      | 1162 |     |      |      |     |     |     |     |           |                    |
|                      | Y315S-4/110            |                      |     |     | 2330      | 1474 |     |      |      |     |     |     |     |           |                    |

| 泵型号<br>model of pump | 电机型号<br>Model of motor | 轴承号<br>Name of shaft | A   | a   | L1   | L2   | L3  | L4   | L    | B1  | B    | h    | H   | n3-Md3X L | 总重量<br>Weight (kg) |     |           |      |
|----------------------|------------------------|----------------------|-----|-----|------|------|-----|------|------|-----|------|------|-----|-----------|--------------------|-----|-----------|------|
| ZA250-400            | Y250M-4/554            | 4                    | 280 | 155 | 1400 | 700  | 300 | 2000 | 2135 | 670 | 720  | 520  | 530 | 6-M16 220 | 1043               |     |           |      |
|                      | Y280S-4/75             |                      |     |     |      |      |     |      | 2205 |     |      |      |     |           | 1283               |     |           |      |
|                      | Y280M-4/90             |                      |     |     |      |      |     |      | 2255 |     |      |      |     |           | 1283               |     |           |      |
|                      | Y315S-4/110            |                      |     |     | 5    | 300  | 155 | 1600 | 800  | 320 | 2240 | 2405 | 730 | 780       | 610                | 640 | 6-M20 400 | 1283 |
|                      | Y315M-4/132            |                      |     |     |      |      |     |      |      |     |      | 2455 |     |           |                    |     |           | 1675 |
|                      | Y315L1-4/160           |                      |     |     |      |      |     |      |      |     |      | 2455 |     |           |                    |     |           | 1675 |
| ZA250-500            | Y315S-4/1105           | 5                    | 300 | 155 | 1600 | 800  | 320 | 2240 | 2580 | 730 | 780  | 610  | 640 | 6-M20 400 | 1846               |     |           |      |
|                      | Y315M-4/132            |                      |     |     |      |      |     |      | 2630 |     |      |      |     |           | 1846               |     |           |      |
|                      | Y315L1-4/160           |                      |     |     |      |      |     |      | 2630 |     |      |      |     |           | 1846               |     |           |      |
| ZA250-560            | Y315L1-4/160           | 5                    | 290 | 155 |      |      |     |      |      |     |      |      |     |           |                    |     |           |      |
|                      |                        |                      |     |     |      |      |     |      |      |     |      |      |     |           |                    |     |           |      |
| ZA300-400            | Y280M-4/90             | 4                    | 300 | 155 | 1400 | 700  | 320 | 2000 | 2275 | 670 | 720  | 590  | 600 | 6-M16 220 | 1368               |     |           |      |
|                      | Y315S-4/110            |                      |     |     |      |      |     |      | 2475 |     |      |      |     |           | 1763               |     |           |      |
|                      | Y315M-4/132            |                      |     |     | 2475 | 1763 |     |      |      |     |      |      |     |           |                    |     |           |      |
|                      | Y315L1-4/160           |                      |     |     | 2475 | 1763 |     |      |      |     |      |      |     |           |                    |     |           |      |
| ZA300-500            | Y315L1-4/160           | 5                    |     |     |      |      |     |      |      |     |      |      |     |           |                    |     |           |      |
|                      |                        |                      |     |     |      |      |     |      |      |     |      |      |     |           |                    |     |           |      |
| ZA300-560            |                        |                      |     |     |      |      |     |      |      |     |      |      |     |           |                    |     |           |      |
|                      |                        |                      |     |     |      |      |     |      |      |     |      |      |     |           |                    |     |           |      |
| ZA300-630            |                        | 6                    |     |     |      |      |     |      |      |     |      |      |     |           |                    |     |           |      |
|                      |                        |                      |     |     |      |      |     |      |      |     |      |      |     |           |                    |     |           |      |
| ZA400-500            |                        |                      |     |     |      |      |     |      |      |     |      |      |     |           |                    |     |           |      |
|                      |                        |                      |     |     |      |      |     |      |      |     |      |      |     |           |                    |     |           |      |
| ZA400-560            |                        |                      |     |     |      |      |     |      |      |     |      |      |     |           |                    |     |           |      |
|                      |                        |                      |     |     |      |      |     |      |      |     |      |      |     |           |                    |     |           |      |
| ZA400-630            |                        |                      |     |     |      |      |     |      |      |     |      |      |     |           |                    |     |           |      |
|                      |                        |                      |     |     |      |      |     |      |      |     |      |      |     |           |                    |     |           |      |

● 泵进出口法兰尺寸 Inlet and Outlet Flange Dimensions

| 泵型号<br>Pump type | Φ Dd | Φ Dd1 | Φ D1 | b1 | n1-Φ d1 | Φ Ds | Φ Ds2 | Φ D2 | b2 | N2-Φ d2 |
|------------------|------|-------|------|----|---------|------|-------|------|----|---------|
| ZA25-200         | 25   | 85    | 115  | 16 | 4-Φ 14  | 40   | 110   | 150  | 18 | 4-Φ 18  |
| ZA25-250         |      |       |      |    |         | 50   |       |      |    |         |
| ZA25-315         |      |       |      |    |         | 50   |       |      |    |         |
| ZA40-160         | 40   | 110   | 150  | 18 | 4-Φ 18  | 80   | 160   | 200  | 24 | 8-Φ 18  |
| ZA40-200         |      |       |      |    |         |      |       |      |    |         |
| ZA40-250         |      |       |      |    |         |      |       |      |    |         |
| ZA40-315         |      |       |      |    |         |      |       |      |    |         |
| ZA50-160         | 50   | 125   | 165  | 20 | 4-Φ 18  | 80   | 160   | 200  | 24 | 8-Φ 18  |
| ZA50-200         |      |       |      |    |         |      |       |      |    |         |
| ZA50-250         |      |       |      |    |         | 80   |       |      |    |         |
| ZA50-315         |      |       |      |    |         | 100  |       |      |    |         |
| ZA50-400         |      |       |      |    |         | 100  |       |      |    |         |
| ZA80-160         | 80   | 160   | 200  | 24 | 8-Φ 18  | 100  | 190   | 235  | 24 | 8-Φ 23  |
| ZA80-200         |      |       |      |    |         |      |       |      |    |         |
| ZA80-250         |      |       |      |    |         |      |       |      |    |         |
| ZA80-315         |      |       |      |    |         |      |       |      |    |         |
| ZA80-400         |      |       |      |    |         |      |       |      |    |         |
| ZA100-160        | 100  | 190   | 235  | 24 | 8-Φ 23  | 100  | 190   | 235  | 24 | 8-Φ 23  |
| ZA100-200        |      |       |      |    |         |      |       |      |    |         |
| ZA100-250        |      |       |      |    |         | 100  |       |      |    |         |
| ZA100-315        |      |       |      |    |         | 150  |       |      |    |         |
| ZA100-400        |      |       |      |    |         | 150  |       |      |    |         |
| ZA100-500        |      |       |      |    |         | 150  |       |      |    |         |
| ZA150-200        | 150  | 250   | 300  | 28 | 8-Φ 27  | 150  | 250   | 300  | 28 | 8-Φ 27  |
| ZA150-250        |      |       |      |    |         |      |       |      |    |         |
| ZA150-315        |      |       |      |    |         |      |       |      |    |         |
| ZA150-400        |      |       |      |    |         |      |       |      |    |         |
| ZA150-500        |      |       |      |    |         |      |       |      |    |         |
| ZA150-560        |      |       |      |    |         |      |       |      |    |         |
| ZA150-630        |      |       |      |    |         |      |       |      |    |         |
| ZA200-250        | 200  | 310   | 360  | 30 | 12-Φ 27 | 200  | 310   | 360  | 30 | 12-Φ 27 |
| ZA200-315        |      |       |      |    |         |      |       |      |    |         |
| ZA200-400        |      |       |      |    |         |      |       |      |    |         |
| ZA200-500        |      |       |      |    |         |      |       |      |    |         |
| ZA200-560        |      |       |      |    |         |      |       |      |    |         |

| 泵型号<br>Pump type | $\Phi$ Dd | $\Phi$ Dd1 | $\Phi$ D1 | b1 | n1- $\Phi$ d1 | $\Phi$ Ds | $\Phi$ Ds2 | $\Phi$ D2 | b2 | N2- $\Phi$ d2 |
|------------------|-----------|------------|-----------|----|---------------|-----------|------------|-----------|----|---------------|
| ZA200-630        |           |            |           |    |               |           |            |           |    |               |
| ZA250-315        | 250       | 370        | 425       | 32 | 12- $\Phi$ 30 | 250       | 370        | 425       | 32 | 12- $\Phi$ 30 |
| ZA250-400        |           |            |           |    |               |           |            |           |    |               |
| ZA250-500        |           |            |           |    |               |           |            |           |    |               |
| ZA250-560        |           |            |           |    |               |           |            |           |    |               |
| ZA250-630        |           |            |           |    |               |           |            |           |    |               |
| ZA300-400        | 300       | 430        | 485       | 34 | 16- $\Phi$ 30 | 300       | 430        | 485       | 34 | 16- $\Phi$ 30 |
| ZA300-500        |           | 450        | 515       | 42 | 16- $\Phi$ 33 | 300       | 450        | 515       | 42 | 16- $\Phi$ 33 |
| ZA300-560        |           | 430        | 485       | 34 | 16- $\Phi$ 30 | 300       | 430        | 485       | 34 | 16- $\Phi$ 30 |
| ZA300-630        |           | 430        | 485       | 34 | 16- $\Phi$ 30 | 300       | 430        | 485       | 34 | 16- $\Phi$ 30 |
| ZA400-500        | 400       |            |           |    |               |           |            |           |    |               |
| ZA400-560        |           |            |           |    |               | 400       |            |           |    |               |



soarling  
翔浩