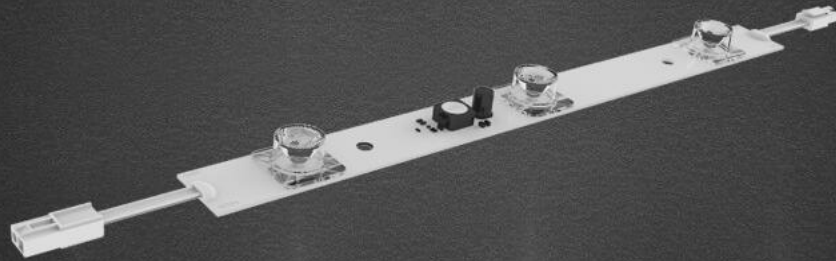


- 9W
- 810LM
- 15°*45°
- IP65
- LifeSpan
50,000h



Features >

- Sourced by high output OSRAM LED, good color conformity and no spot.
- 99.99% gold thread, pure copper bracket coated with silver.
- SDCM≤3 each BIN.
- Special lens design, 15*45°beaming angle with even light.
- 20 pcs Max. in a series connection.
- CE, ROHS and UL certified.

Application >

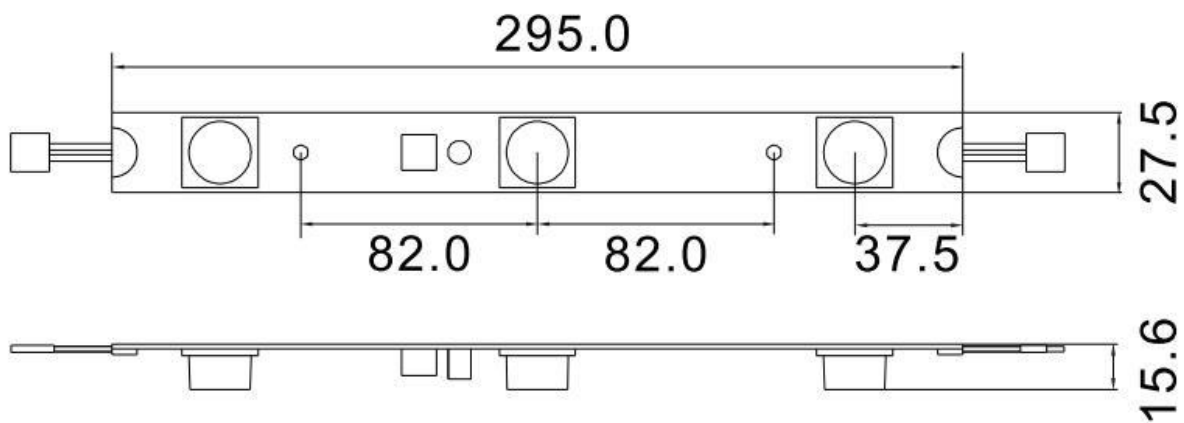
- Best for 12-40cm depth double-sided light box or 10-20cm depth single-sided light box at airports, metros, banks, buildings and shopping malls, etc.

Parameters

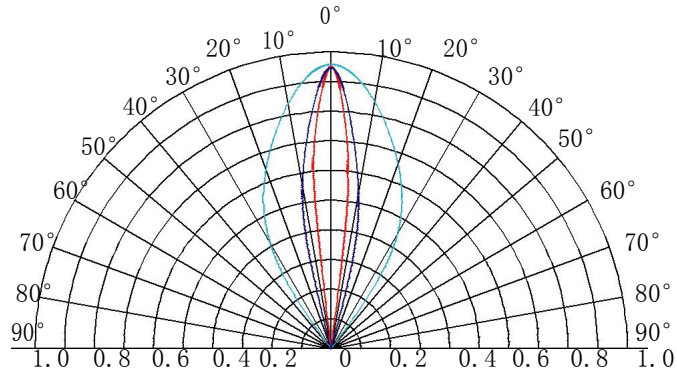
Items	Parameters
Part Number	YX03DD1
CCT (K)	6500K
Beaming Angle (°)	15*45
CRI (Ra)	≥75
Luminous Flux (lm)	810
Voltage (V)	DC24V
Power (W)	9
LED Type	OSRAM LED
LED Qty(pcs)	3
Driving Method	Inner Constant Current
Dimension (mm)	295*27.5*15.6
Weight(g)	65
Working Tem. (°C)	-25 ~ +60
Storage Tem. (°C)	-25 ~ +70
Protection Grade	IP65

Dimension

Unit:mm



Beaming Angle >

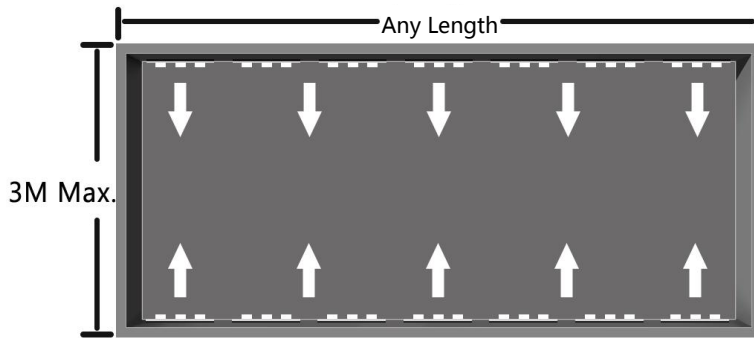


Reference Scheme >

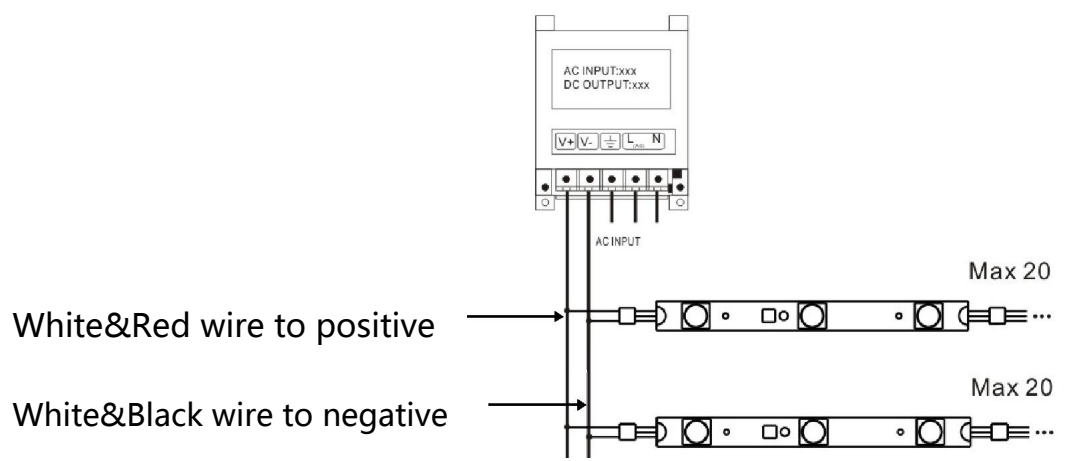
Depth(mm)	Size(mm)	Density(pcs/m ²)	Illumination(lux)
160	1000*1000	6	1600-1800
200	1000*1000	6	1300-1500
240	1000*1000	6	1000-1200
300	1000*1000	6	800-900

Remark:

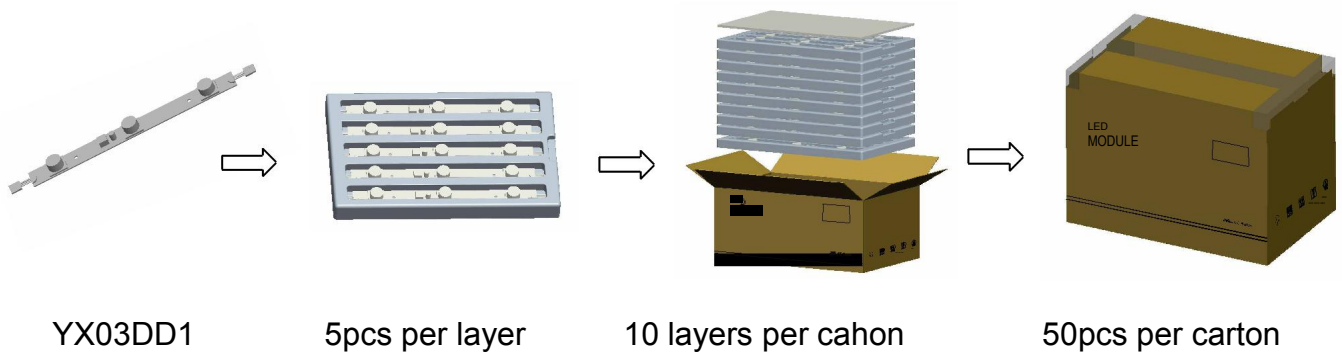
- The transmittance of the advertising fabric was 32%.
- The above data is for reference only.



Wire Connection >



Packing >



Packing Specification >

- Packed in plastic tray.
- Packing information

Part Number	YX03DD1
Carton dimension(mm)	370*242*270
Plates per carton	10
Quantity per carton(pcs)	50
Net Weight(kg)	2.78(1±10%)
Gross Weight(kg)	4.36(1±10%)

- Due to the packing manner difference, please adhere to the original products in case of discrepancy found between the picture and actual product.

Instructions



- When installing the product, please switch off the power
- Please use constant voltage power supply and leave 20% or more balance of its total power
- Make isolation and corrosion prevention on all wiring points and wire ends
- The maximum series connection quantity for YX03DD1 is 20 pcs , please do not exceed this number
- The products can be installed by screws, rivets as well as silicon gel, while please do not use Acidic or alkaline adhesive
- The high power LEDs generates more heat, so please install the products on the surface of material with good heat dissipation such as metallic or aluminium panel
- For single side light box, in order to get better and even lighting effect, you can put the products more closer to unilluminated back and attach white reflective poly sheet or sheet with similar function on the inner back.

Declaration



- Warranty: 5 years.
- In order to ensure the safety, the broken wires needs to be replaced by the manufacturer or the service agent, or by the staff with the similar qualification.
- The given data in the specification was based on the laboratory testing, there may be discrepancy found in the actual products.
- The given drawings in the specification are only for reference, there may be discrepancy found in the actual products.
- The products are subject to change without prior notification.



RoHS

Company Address:

Rm. WS, 9F, LuBan Building, Hongli West Road, Futian District, Shenzhen, China 518034

Factory Address:

No. B, Xinyongfeng Industrial Area, Yingrenshi Village, Shiyuan Town, Bao'an District, Shenzhen, China 518000

TEL: +86-755-83544570

FAX: +86-755-83056229

Website: www.lbyled.com

E-mail: info@szlby.cn



LBY LED
signs never been so easy