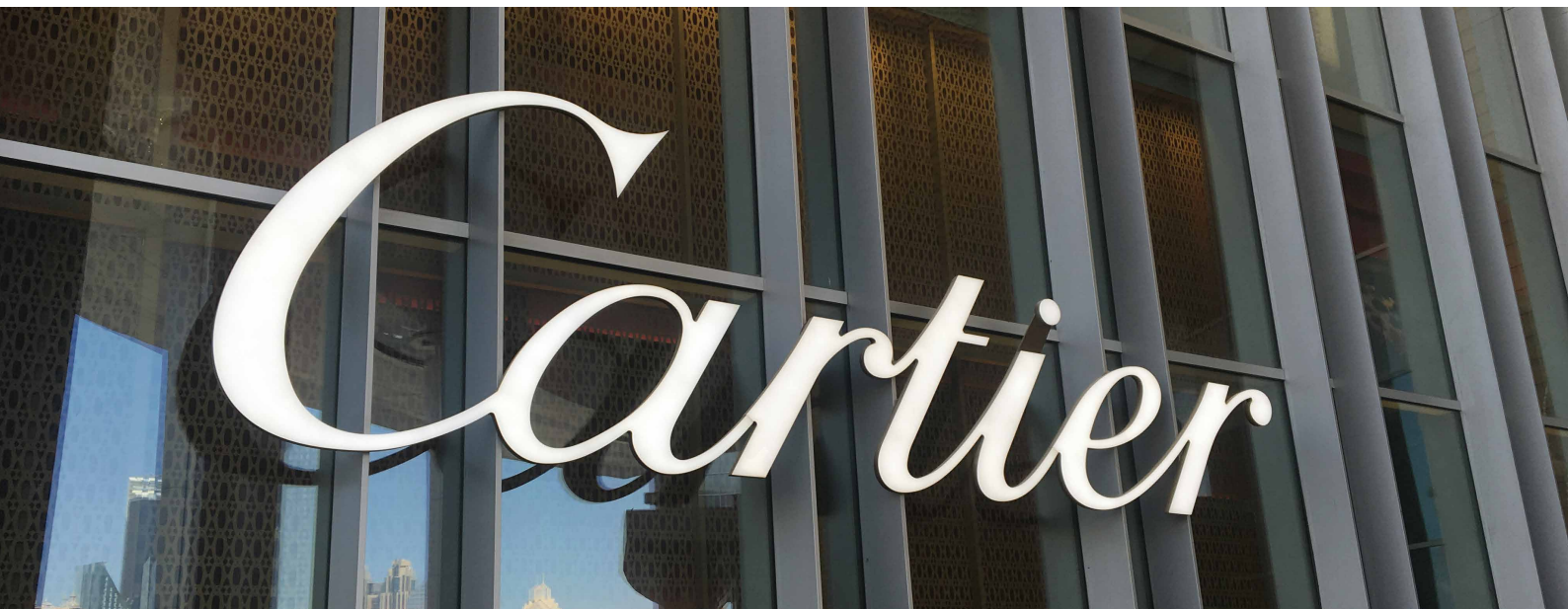


0.32W 20LM 120° IP65 LifeSpan 50,000h



Features >

- Sourced by high output SMD2835, good color conformity and no spot.
- 99.99% gold thread, pure copper bracket coated with silver.
- SDCM≤5 each BIN.
- Protection cover over the LED, 120°beaming angle with even light.
- Well sealed: anti-dusting, anti-moisture, waterproof, anti-shock.
- 20 pcs Max. in a series connection.
- CE, RoHS and UL certified.

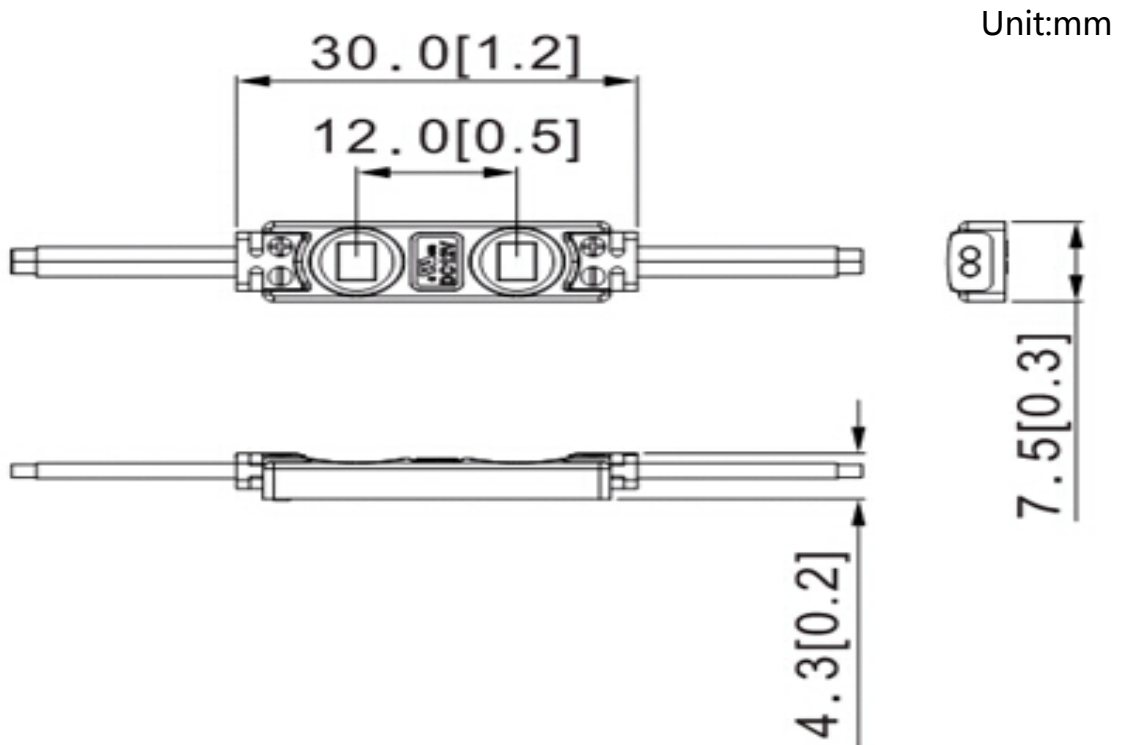
Application >

- Apply to 3-6cm depth signs at airports, metros, banks, buildings and shopping malls, etc.

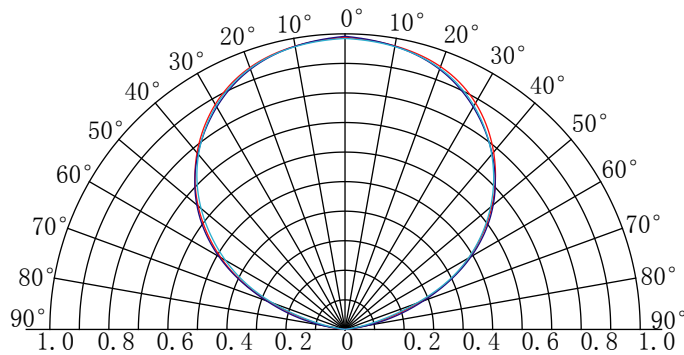
Light Decay Diagram >

Items	Parameters
Part Number	ZE02QAB
CCT (K)	7000K
Beaming Angle (°)	120
CRI (Ra)	≥75
Luminous Flux (lm)	20
Voltage (V)	DC12
Power (W)	0.32
Driving Method	Constant Voltage
Dimension (mm)	30*7.5*4.3
Weight (g)	9.57
Working Tem. (°C)	-25 ~ +60
Storage Tem. (°C)	-25 ~ +70
Protection Grade	IP65

Dimension >



Beaming Angle >

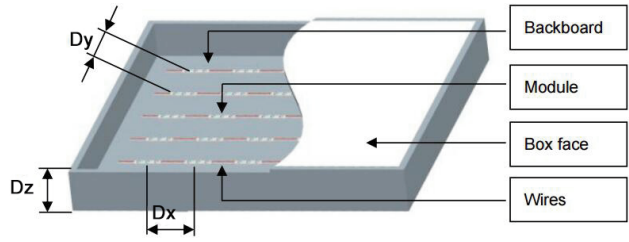


Reference Scheme >

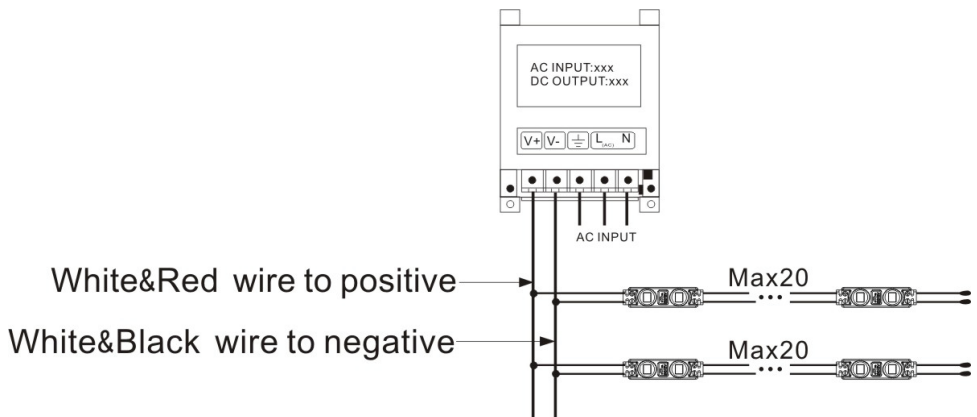
Width (mm)	Depth(mm)	Size(mm)	Square(m ²)	Distance(mm)	Qty(pcs)	Density(pcs/m ²)	Illumination(lux)
A30	30	450*420	0.18	30	50	278	5500-6500
A40	40	470*440	0.2	40	46	230	4400-5400
A50	50	490*460	0.22	50	41	186	3800-4500
A60	60	510*480	0.24	60	41	171	3000-3700

Remark:

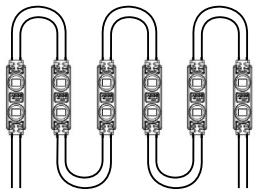
- The acrylic plate in the case is 3mm thickness, and the light transmittance is 54.4%.
- The illumination above is the minimum data when evenly lighted.
- The above data is for reference only.



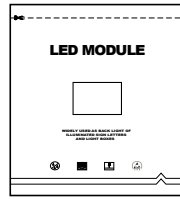
Wire Connection >



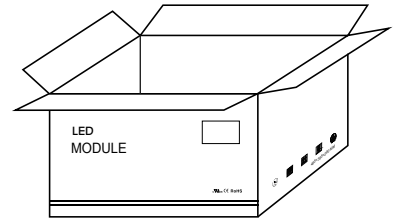
Packing



20 pcs per string



500 pcs in an antistatic bag



10000 pcs per carton

Packing Specification

- Antistatic bag adopted
- Packing information

Part Number	ZE02QAB
Carton dimension(mm)	490*450*220
Bags per carton	20
Quantity per carton(pcs)	10000
Net Weight(kg)	17.80(1±10%)
Gross Weight(kg)	19.31(1±10%)

- Due to the packing manner difference, please adhere to the original products in case of discrepancy found between the picture and actual product.

Warning

- Disassembling or modifying the product is forbidden.
- Installation with power on is forbidden.
- Any organic solvent chemical is forbidden.
- Acidic or alkaline adhesive is forbidden when install, neutral glass cement could be used for installation purpose, make it drying in open environment for four hours.
- Isolation and corrosion prevention on all wiring points and wire ends.
- Make sure the power wire is thick enough and ensure the voltage and connections are connected correctly before power on.
- This product should be used in a sign, do not expose it in opening site.
- Installation, maintaining should be done by professional staff.
- 20 pcs in a serial connection maximum.
- The power wire between power supply and module should be less than two meters to keep the same brightness on all parts.
- Initial location with 3M tape, then secure with screws.

Declaration



- Warranty: 5 years.
- In order to ensure the safety, the broken wires need to be replaced by the manufacturer or the service agent, or by the staff with the similar qualification.
- The given data in the specification was based on the laboratory testing, there may be discrepancy found in the actual products.
- The given drawings in the specification are only for reference, there may be discrepancy found in the actual products.
- The products are subject to change without prior notification.



RoHS

Company Address:

Rm. WS, 9F, LuBan Building, Hongli West Road, Futian District,
Shenzhen, China 518034

Factory Address:

No. B, Xinyongfeng Industrial Area, Yingrenshi Village, Shiyuan Town,
Bao'an District, Shenzhen, China 518000

TEL: +86-755-83544570

FAX: +86-755-83056229

Website: www.lbyled.com

E-mail: info@lbyled.com



LBY LED®
signs never been so easy