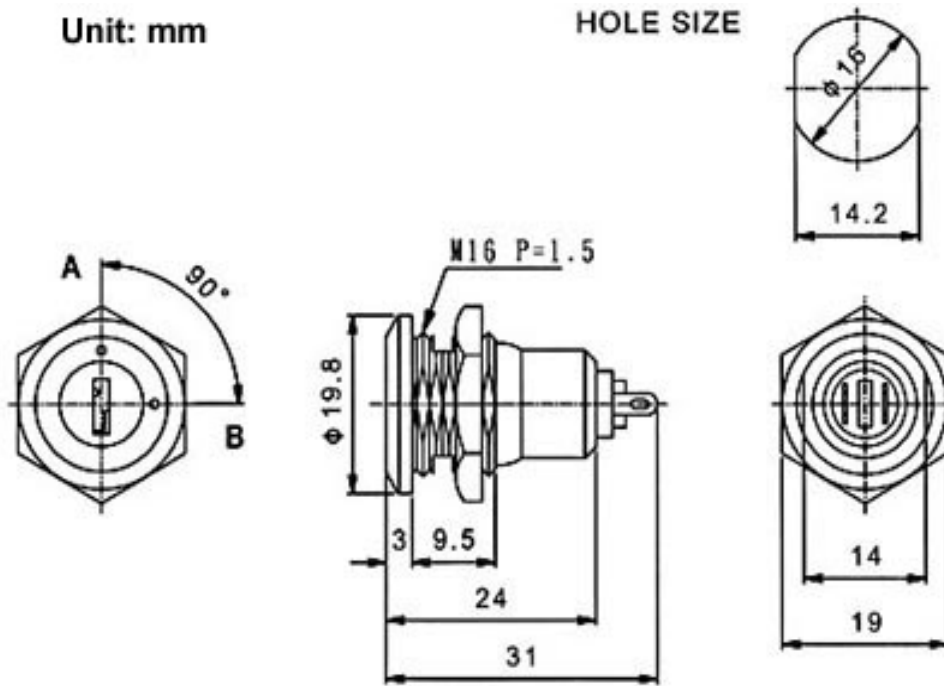


S334B

MID-SIZE SWITCH LOCK

Unit: mm

HOLE SIZE



DESCRIPTION:

- Zinc alloy die cast housing and plastic cylinder.
- Stainless steel capped bezel.
- Zinc plated standard.
- 4 disc tumbler mechanism.
- Brass keys, nickel plated.
- Key may be withdrawn in one or both positions.
- Silver plated contacts and terminals.
- 2 position (off-on) 2 terminals.
- Hex nut or speed clip mounted.
- All keyed alike or 20 combinations standard.
- 20 combinations available.

KEY-PULL FIGURES :

○ -Off Position

┃ -Indicates Key-Pull

● -Indicates No Key-Pull



Fig.1



Fig.2

| Fig. No. | Lock Number | Pole | Positions | Terminals | Key Pulls | Turn | ⊕ | ⊖ | Type |
|----------|-------------|------|-----------|-----------|-----------|------|-----|----|------|
| 1 | SS334B-1 | 1 | 2 | 2 | 1 | 90 ° | Off | On | SPST |
| 2 | SS334B-2 | 1 | 2 | 2 | 2 | 90 ° | Off | On | SPST |