



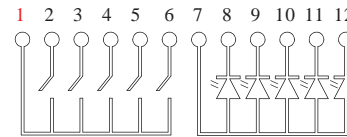
Navigation Switches Series SF39BA



General Specifications	
Circuit	:SP5T (Switch element)
Current Rating	:50mA @ 12VDC
Contact Resistance	:500m Ohm Max.(initial)
Insulation Resistance	:100MOhm Min.
Operating Force	:400gf±150gf(S1~4) 250gf±10gf(S5)
Total Travel	:0.5mm ± 0.3mm
Operating Life	:200,000 cycles Min.
Operating Temperature	:-25 deg.~+60 deg.
Solder Specifications	:260 deg. for 3 seconds
Materials	
Housing	:Aluminum
Cap	:Polycarbonate (PC)
Reflector	:Silicone
Nuts	:Aluminum
Base	:Polyamide(PA)
Washer	:Foam
SUS Washer	:SUS
Connector	:PA , Brass with Tin plating

- Feature**
- Panel cutting Ø39mm
 - IP65
 - 5 Key Navigation Switches
 - LED Illuminated
 - Metal Housing

Contact Configuration



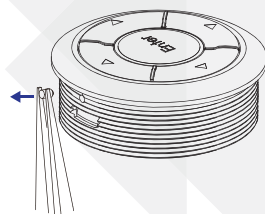
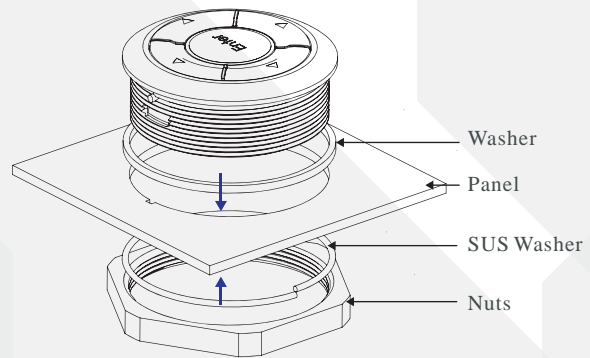
Pin	Function
1	SW COM.
2	SW 1 N.O.
3	SW 2 N.O.
4	SW 3 N.O.
5	SW 4 N.O.
6	SW 5 N.O.
7	LED (+)
8	SW 1 LED(-)
9	SW 2 LED(-)
10	SW 3 LED(-)
11	SW 4 LED(-)
12	SW 5 LED(-)

The Connector for SF39BA module similar JST S12B-PH-K-S.
 We recommend using
 Cable socket: JST PHR-12 or similar.
 Contact: JST SPH-002T-P0.5S or similar.



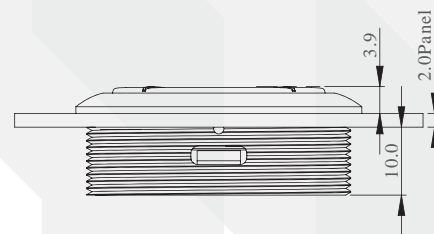
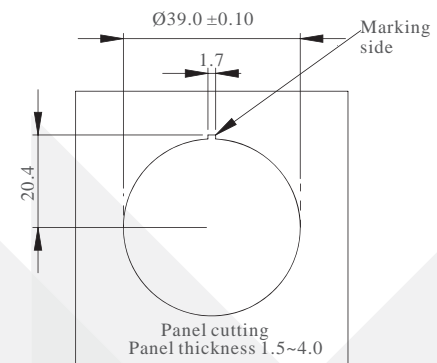
Navigation Switches Series SF39BA

Installation Notes



Removeable if not need.

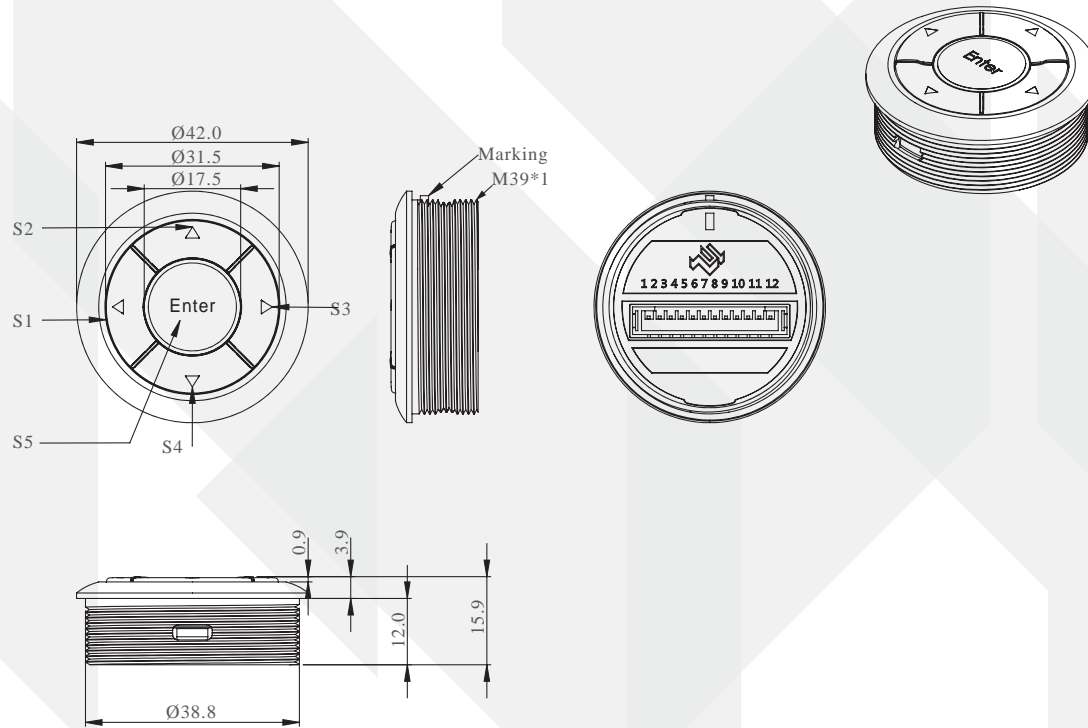
Panel Cutting





Navigation Switches Series SF39BA

Dimension





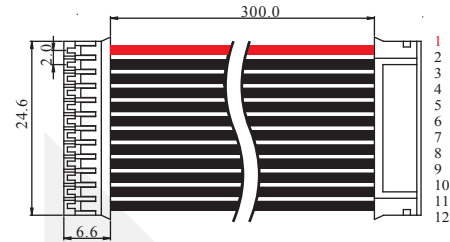
Navigation Switches Series SF39BA

How to order

Module			
Part No	SF39BA2011	SF39BA4511	SF39BA7511
Description	Yellow LED Silver Housing Black cap with Enter marking.	White LED Black Housing Black cap with Enter marking.	Blue LED Black Housing Black cap with Enter marking.

- ※ Color is subject to actual product.
- ※ We provide Marking service.

Option



Conductor pitch / 2.0mm
Conductor width / □0.5mm

Cable: YCW002