

# MPB25 Series

## 25mm Metal Pushbutton Switches



### SPECIFICATIONS

- RATING** : 1th 5A/250VAC resistive load 3A/250VAC
- CONTACT RESISTANCE** : 50 mΩ max. @ 1A 12VDC (initial value)
- INSULATION RESISTANCE** : 1,000 MΩ min. at 500VDC
- DIELECTRIC STRENGTH** : 2,000V RMS @ sea level
- OPERATION TEMPERATURE** : -20°C to 55°C
- MECHANICAL LIFE** : Momentary 1,000,000 cycles  
Self-lock 500,000 cycles
- ELECTRICAL LIFE** : 50,000 make-and-break cycles at full load
- TORQUE** : 5~14Nm
- PANEL THICKNESS** : 10mm (Ø25.20mm)
- OPERATION PRESSURE** : 1Pole 2.5±1N / 2Poles 3.5±1N
- TRAVEL** : About 3.2mm
- INGRESS PROTECTION** : IP67, IK08(Stainless)

### MATERIALS

- BUSHING** : Stainless Steel / Aluminum alloy
- BASE** : PBT(UL 94-V0) , PC(UL 94-V2)
- ACTUATOR** : PC; Stainless Steel / Aluminum alloy
- INNER ASSEMBLY** : POM / PA66.
- SPRING** : Spring steel.
- SEALING** : Sillicone.
- O-Ring** : Sillicone.
- TERMINAL / CONTACT** : Copper ,Silver plated.
- HEX NUT** : Nickel plated brass

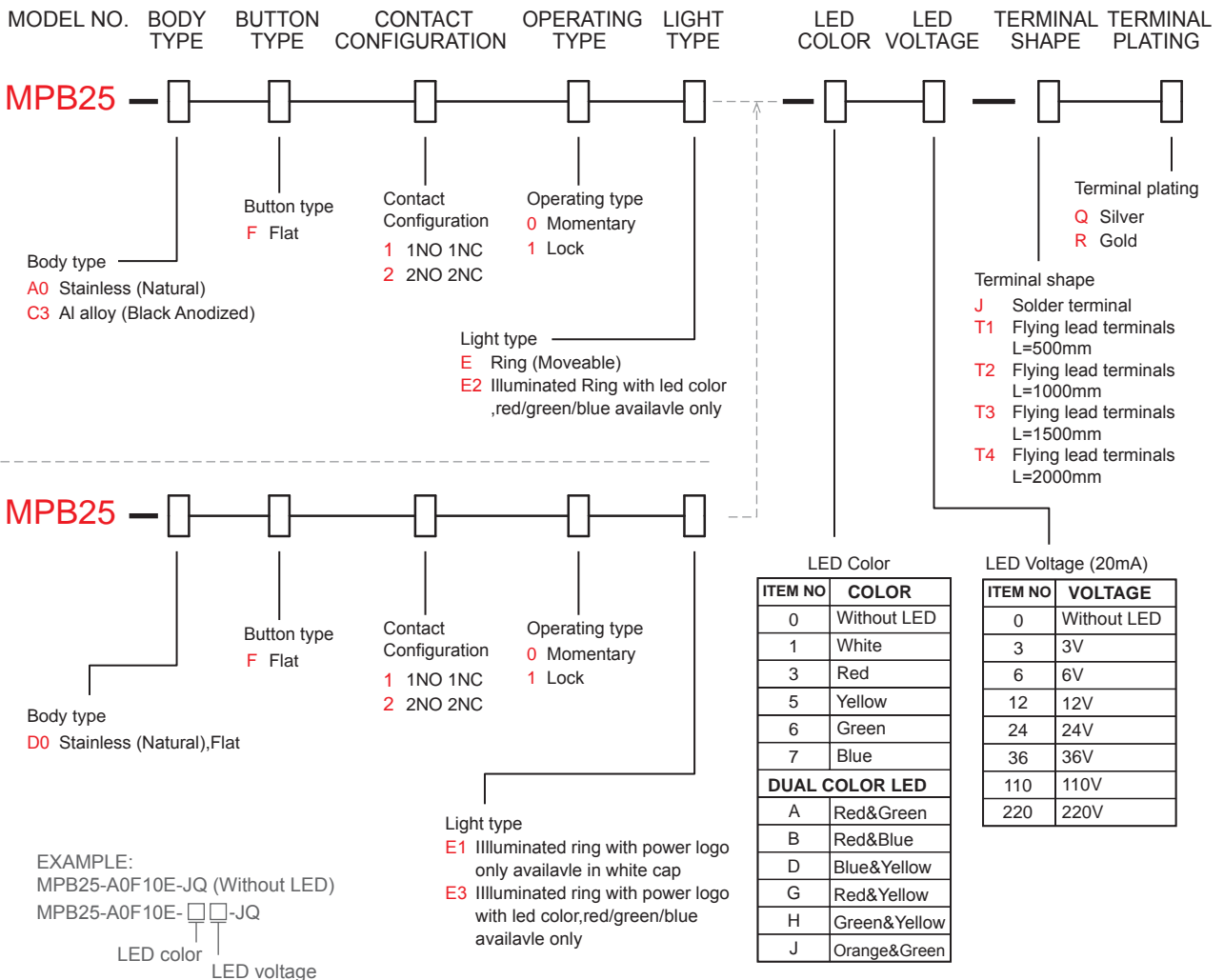
### HOW TO ORDER

IP 67  
ACCORDING TO  
EN 60529:1991+A1:2001  
IEC 60529:2001

UL US  
E 187490

RoHS  
compliant

lead-free



# MPB25 Series

## 25mm Metal Pushbutton Switches

### CIRCUIT

POSITION 1

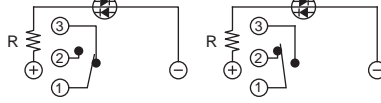
POSITION 2



Without LED (1 Pole)

POSITION 1

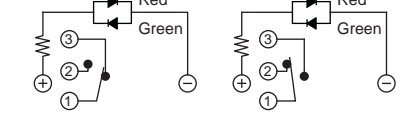
POSITION 2



Single Color Led (1 Pole)

POSITION 1

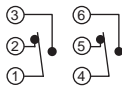
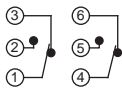
POSITION 2



Dua Color Led (1 Pole)

POSITION 1

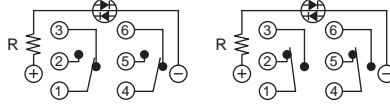
POSITION 2



Without LED (2 Poles)

POSITION 1

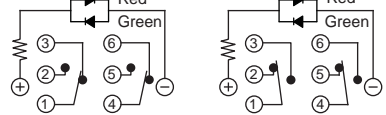
POSITION 2



Single Color Led (2 Poles)

POSITION 1

POSITION 2

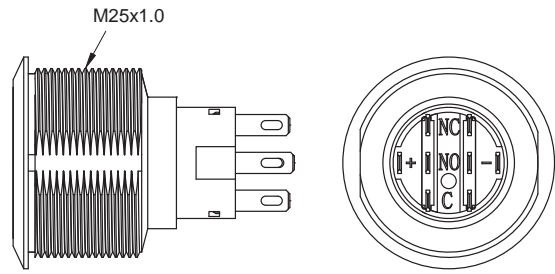
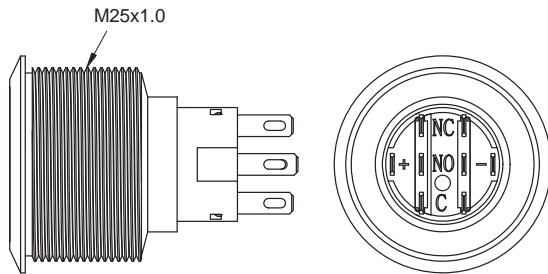


Dua Color Led (2 Poles)

### BODY TYPE

A0/C3 Body

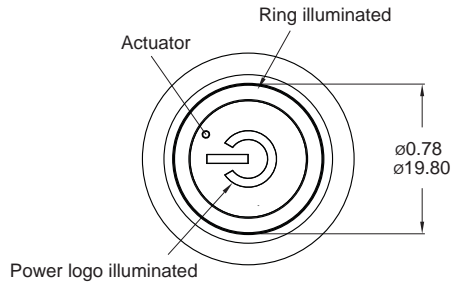
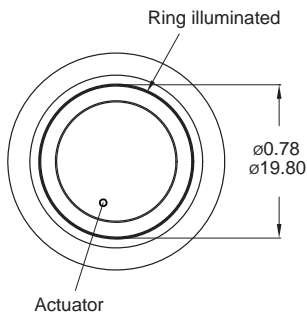
D0 Body (Flat)



### LIGHT TYPE

E Ring (Moveable)

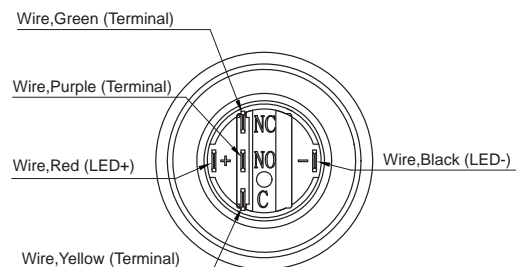
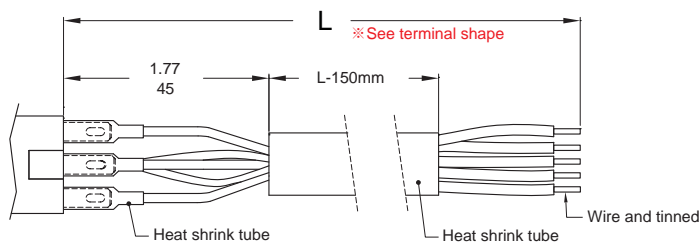
E3 Ring+Power logo



\* Only for D0 body type.

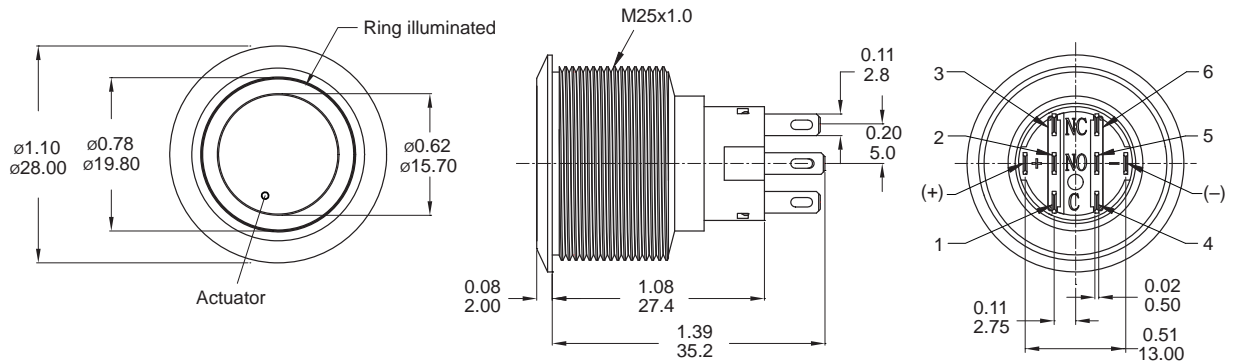
### Wire (Flying lead Terminals)

※ Wire=UL 3385,18AWG,300V(Black/Yellow/Green/Red/Purple)



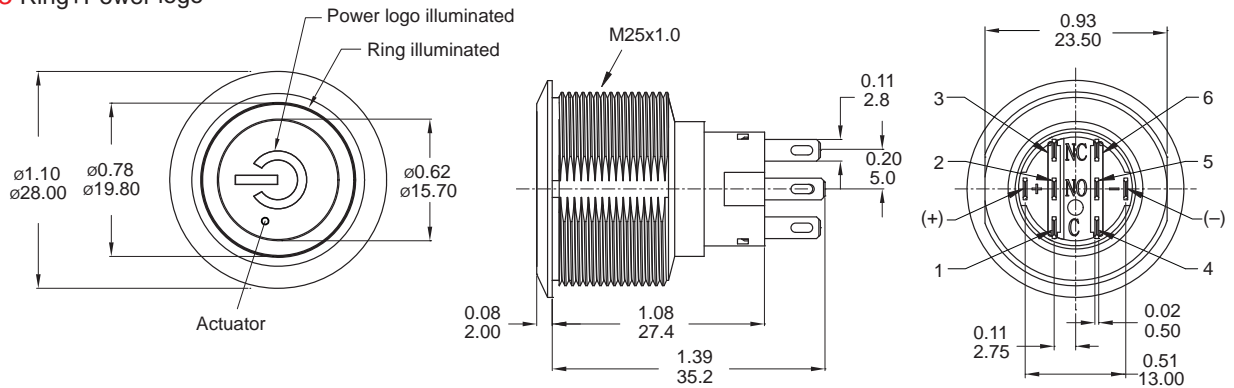
## LIGHT TYPE

### E Ring (Moveable)



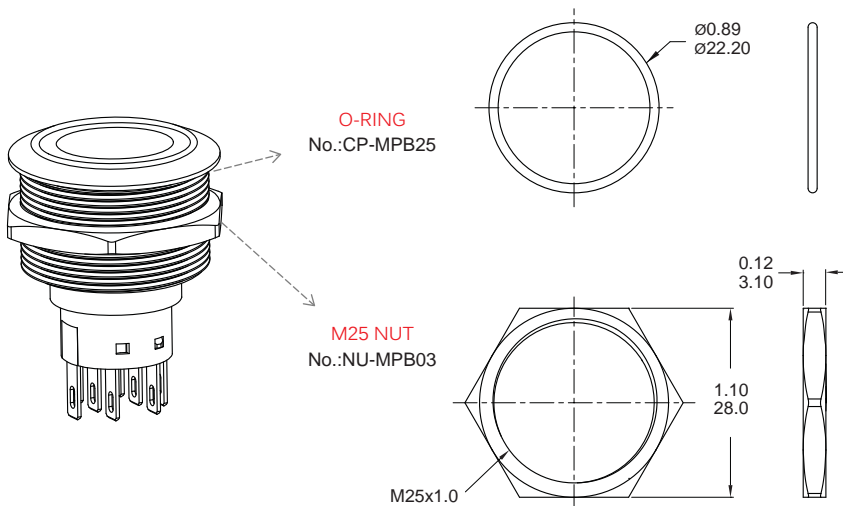
Part No. Shown : MPB25-A0F2□E-□□-JQ

### E3 Ring+Power logo



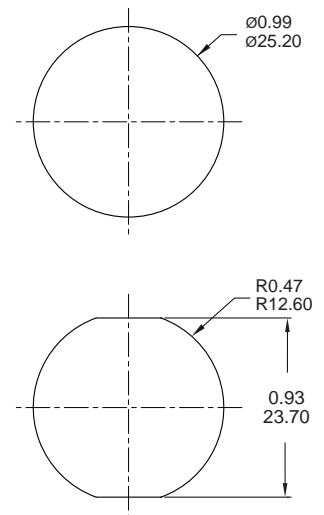
Part No. Shown : MPB25-D0F2□E3-□□-JQ

### ASSEMBLED VIEW



### PANEL MOUNTING

Max. Panel thickness: 10.0mm[0.39]



### O-RING INSTALLATION

