

TYCZ Series

Piezo switch (Pulse)



SPECIFICATIONS

RATING : 5-24VADC/1A PULSE MODE.

OPERATING LIFE : 50 MILLION CYCLE MIN.

CONTACT RESISTANCE : 1Ω MAX.

OPERATING TEMPERATURE: -20°C to 65°C.

MATERIALS

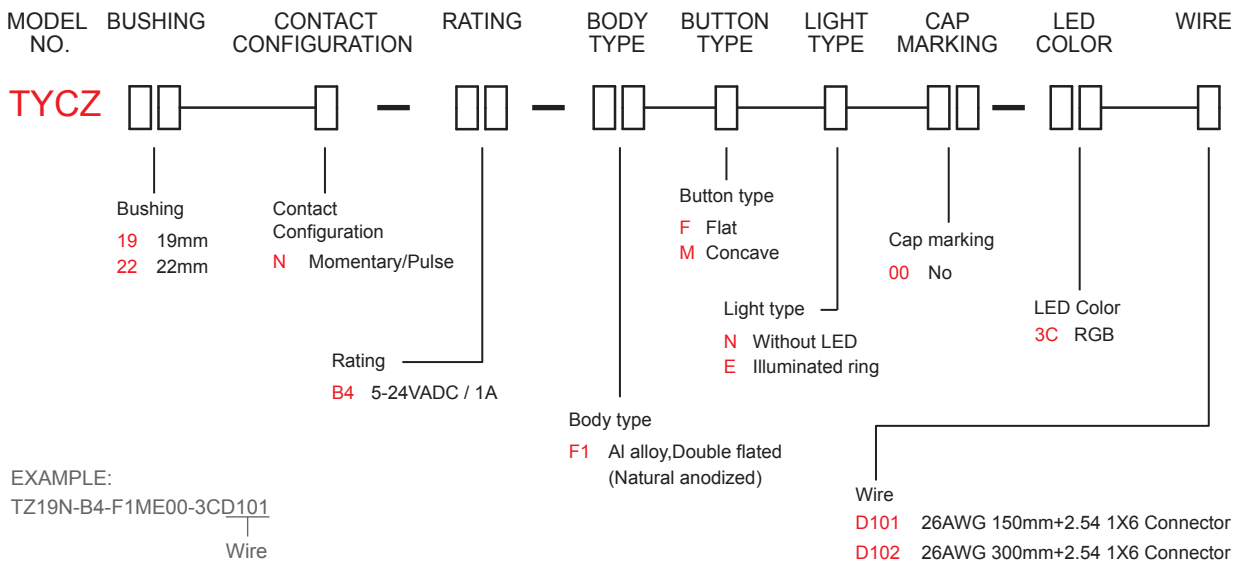
BUSHING: Aluminum alloy.

SEALING : Sillicone,EPOXY.

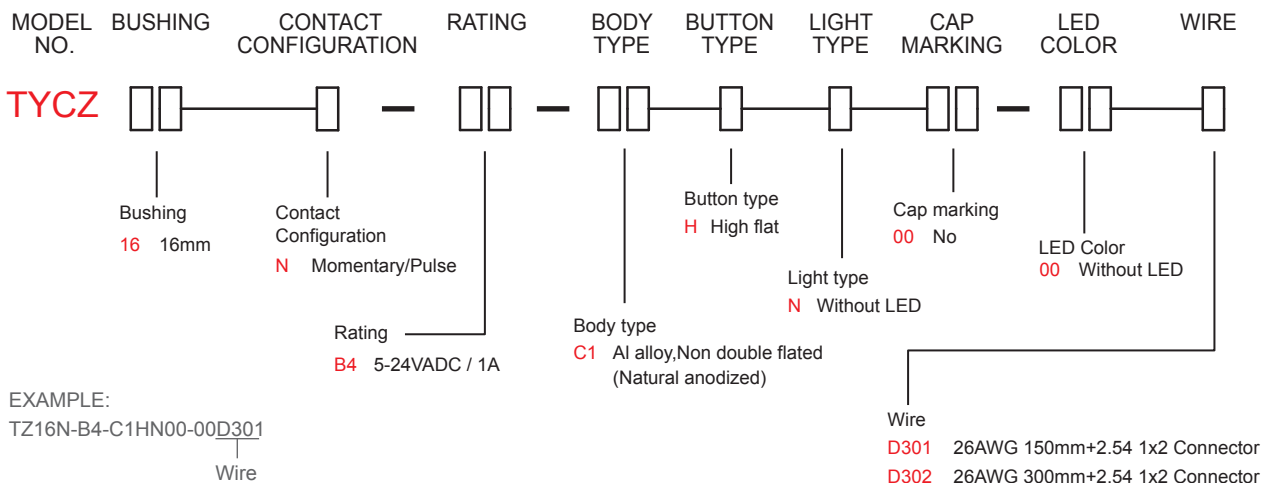
HEX NUT : Nickel plated brass.



HOW TO ORDER



TZ16 HOW TO ORDER

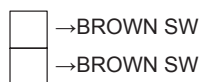


TYCZ
Piezo switch

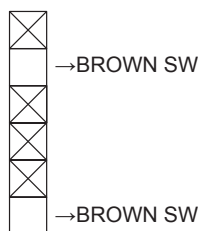
CIRCUIT

00 Without led application diagram

Available with 16mm Bushing only

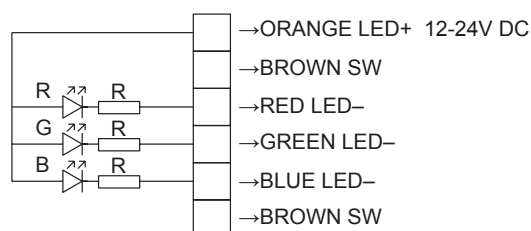


Available with 19mm/22mm Bushing only



3C Color led application diagram

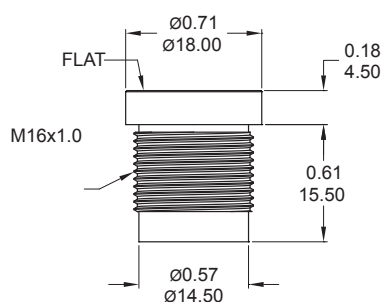
Available with 19mm/22mm Bushing only



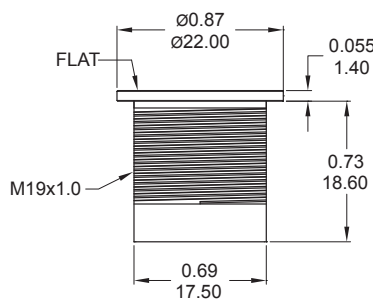
BUSHING

F Flat button type

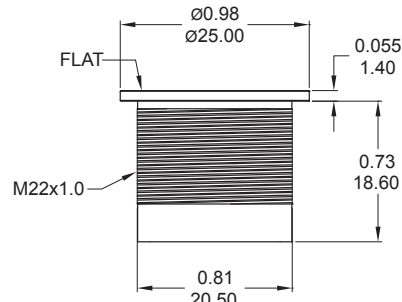
16mm Bushing



19mm Bushing

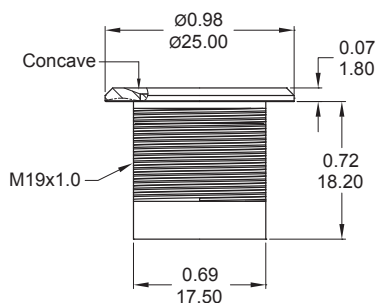


22mm Bushing

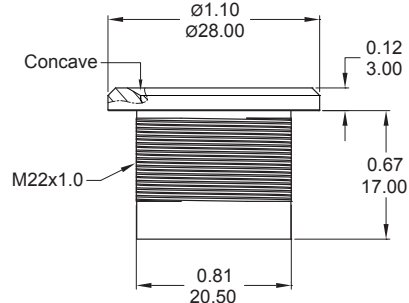


M Concave button type

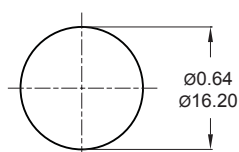
19mm Bushing



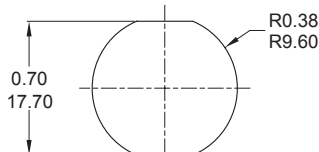
22mm Bushing



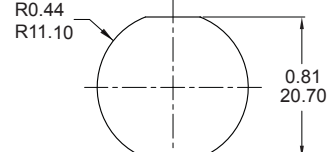
PANEL CUTOUT



Available with 16mm Bushing only
Max. Panel thickness: 8.0mm [0.315] (Max.)



Available with 19mm Bushing only
Max. Panel thickness: 10.0mm [0.394]



Available with 22mm Bushing only
Max. Panel thickness: 10.0mm [0.394]

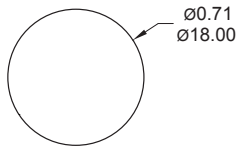


TYCZ Series

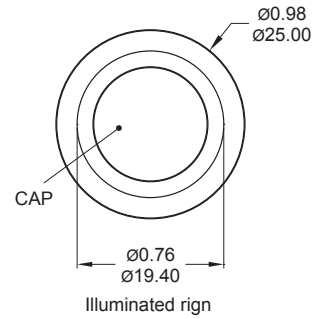
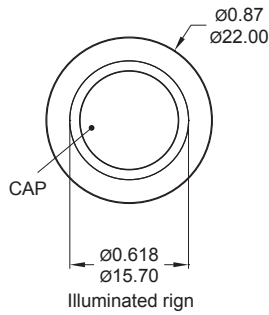
Piezo switch (Pulse)

LIGHT TYPE

F Flat button type (Without led)



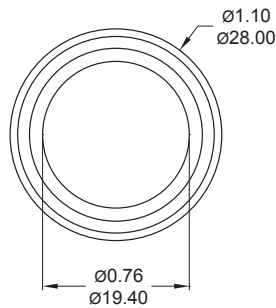
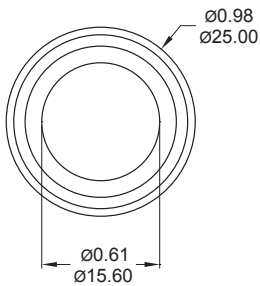
F Flat button type (Illuminated rign)



M Concave button type (Without led)

19mm Bushing

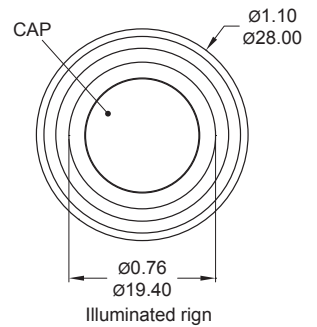
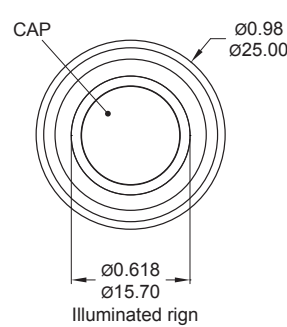
22mm Bushing



M Concave button type (Illuminated rign)

19mm Bushing

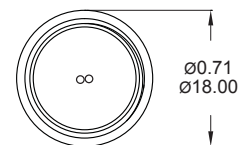
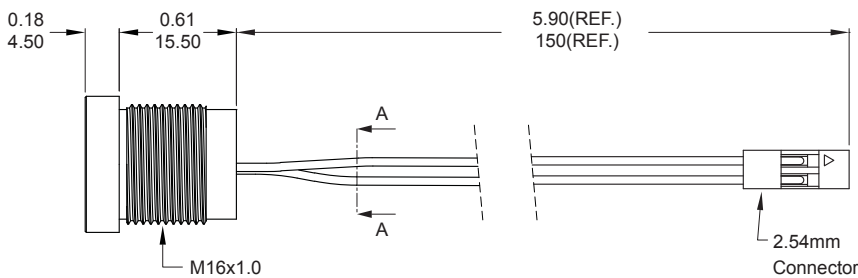
22mm Bushing



TYCZ
Piezo switch

WIRE

F Flat, Without led

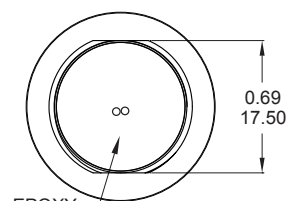
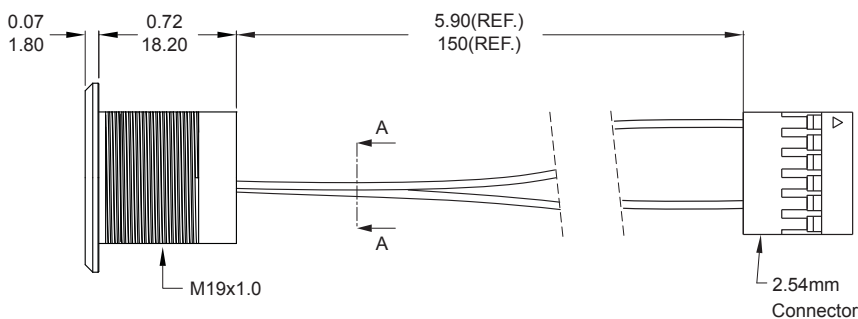


Wire:Brown

SECTION A-A

Part No. Shown : TYCZ16N-B4-C1HN00-00D301

M Concave, Without led



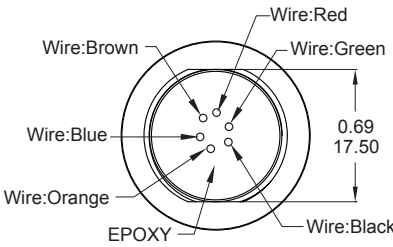
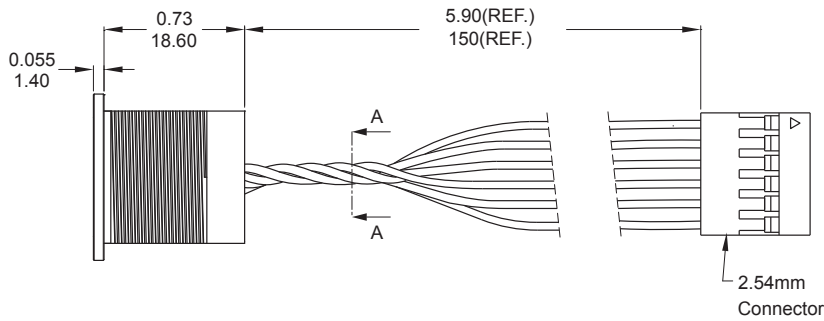
Wire:Brown

SECTION A-A

Part No. Shown : TYCZ19N-B4-F1MN00-00D101

WIRE

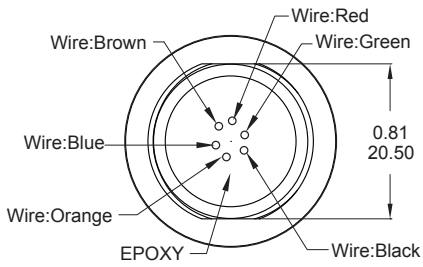
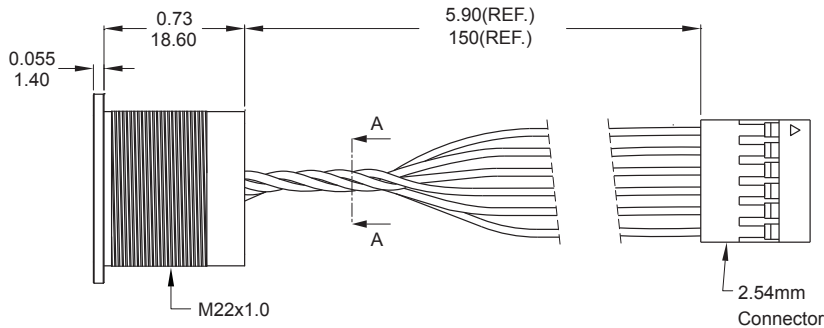
F Flat, Illuminated ring



Part No. Shown : TYCZ19N-B4-F1FE00-3CD101

SECTION A-A

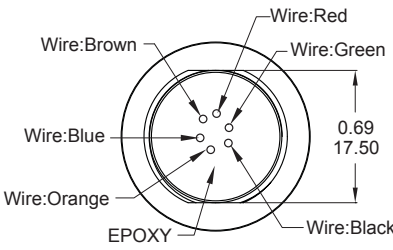
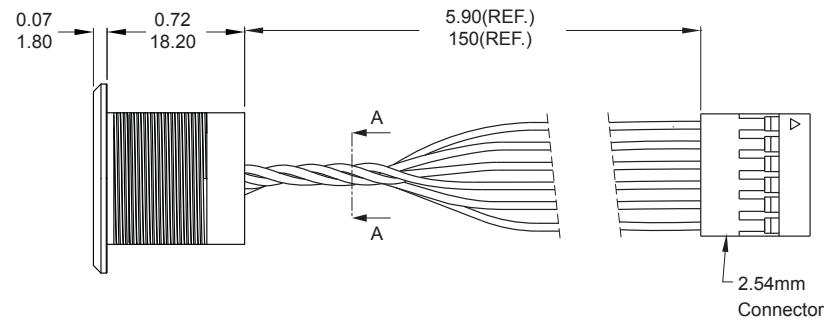
F Flat, Illuminated ring



Part No. Shown : TYCZ22N-B4-F1FE00-3CD101

SECTION A-A

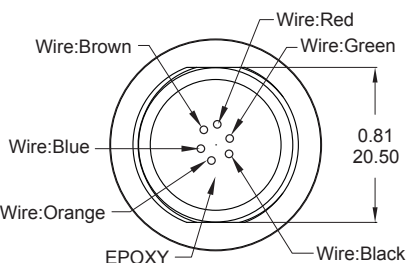
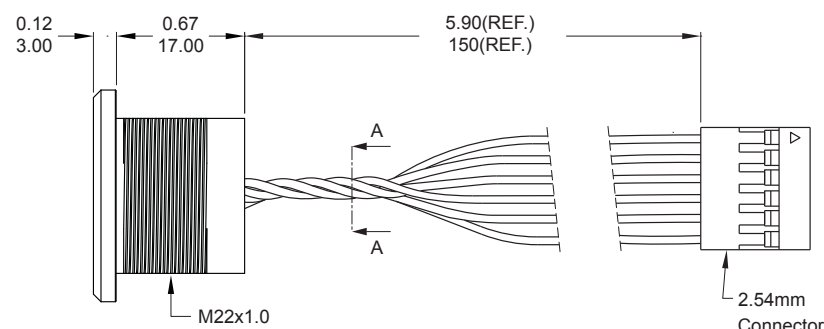
M Concave, Illuminated ring



Part No. Shown : TYCZ19N-B4-F1ME00-3CD101

SECTION A-A

M Concave, Illuminated ring



Part No. Shown : TYCZ22N-B4-F1ME00-3CD101

SECTION A-A



TYCZ
Piezo switch