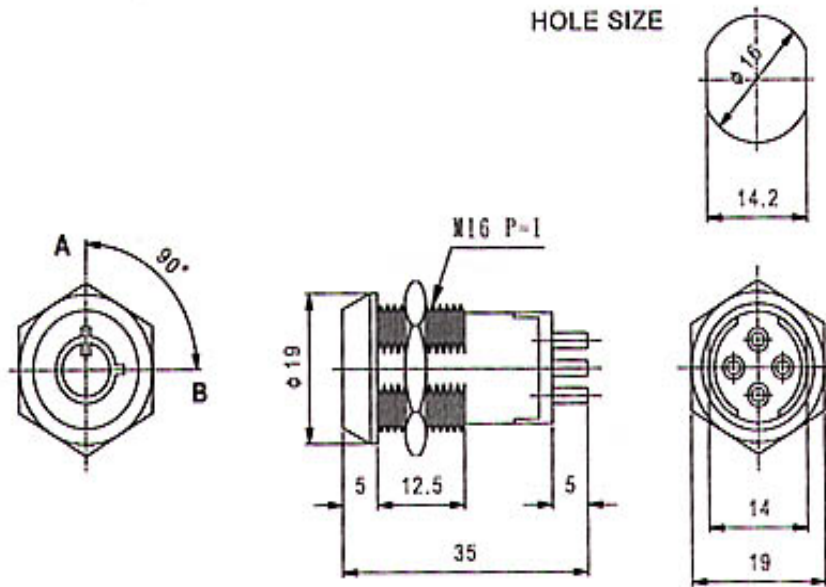


S314

MID-SIZE SWITCH LOCK

Unit: mm



DESCRIPTION:

- Zinc alloy die cast housing and cylinder.
- Bright chrome plated standard.
- 7 pin tumbler mechanism.
- Zinc alloy tubular keys, chrome plated, with plastic cover.
- Key may be withdrawn in one or both positions.
- Silver plated contacts and terminals.
- 2 position (on-on) 4 terminals.
- Hex nut mounted.
- All keyed alike or one combination per 100pcs standard.
- 10000 combinations available.

KEY-PULL FIGURES :

○ -Off Position

┃ -Indicates Key-Pull

● -Indicates No Key-Pull



Fig.1



Fig.2

Fig. No.	Lock Number	Pole	Positions	Terminals	Key Pulls	Turn	⤴	⤵	Type
1	S314-1	1	2	4	1	90 °	On	On	SPDT
2	S314-2	1	2	4	2	90 °	On	On	SPDT

