



# yeswitch

## Navigation Switches Series SPD5K2



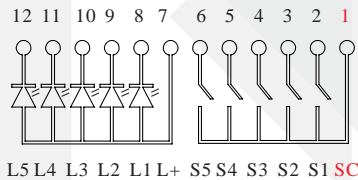
### General Specifications

Circuit	:SP5T
Current Rating	:50mA @ 12VDC
Contact Resistance	:100mOhm Max.(initial)
Insulation Resistance	:100MOhm Min.
Operating Force	:220gf±50gf
Total Travel	:0.3mm±0.1mm
Operating Life	:1,000,000 cycles Min.
Operating Temperature	:-10 deg.~+60 deg.

### Materials

Cover	:Polycarbonate (PC)
Reflector	:Polyamide(PA)
Base	:Polyamide(PA)
Action Dome	:Stainless steel with silver plating
Terminal	:Phosphor bronze (PBS) with gold plating

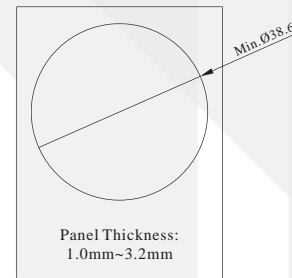
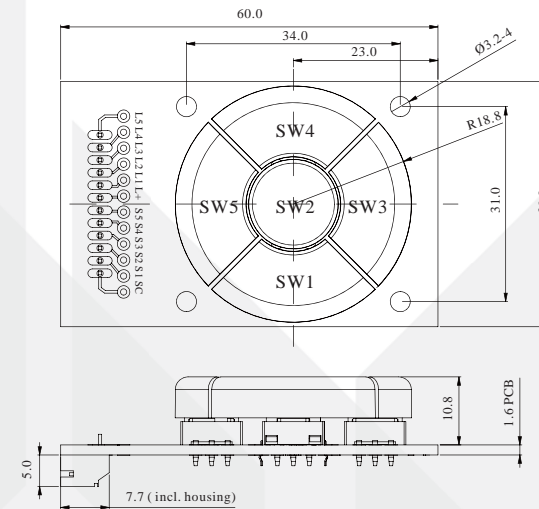
### Contact Configuration



Pin	Function
1	SW COM.
2	SW 1 N.O.
3	SW 2 N.O.
4	SW 3 N.O.
5	SW 4 N.O.
6	SW 5 N.O.
7	LED (+)
8	SW 1 LED(-)
9	SW 2 LED(-)
10	SW 3 LED(-)
11	SW 4 LED(-)
12	SW 5 LED(-)

### Dimension / Panel cutting

Applicable on 1U case.





Panel cutting



# yeswitch

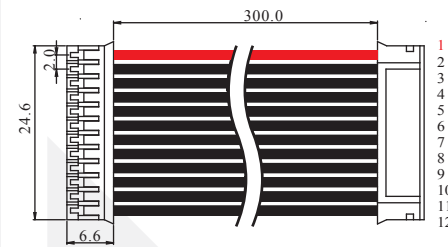
## Navigation Switches Series SPD5K2

### How to order

<b>Module</b>		
<b>Part No</b>	SPD5K2-AM004	SPD5K2-AM012
<b>Description</b>	Painted Black cap with Laser Marking Red LED	Painted White Cap with Laser Marking Blue LED

- ※ Color is subject to actual product.
- ※ We provide Laser Marking service.

### Option



Conductor pitch / 2.0mm  
 Conductor width /  $\square$ 0.5mm

Cable: YCW002