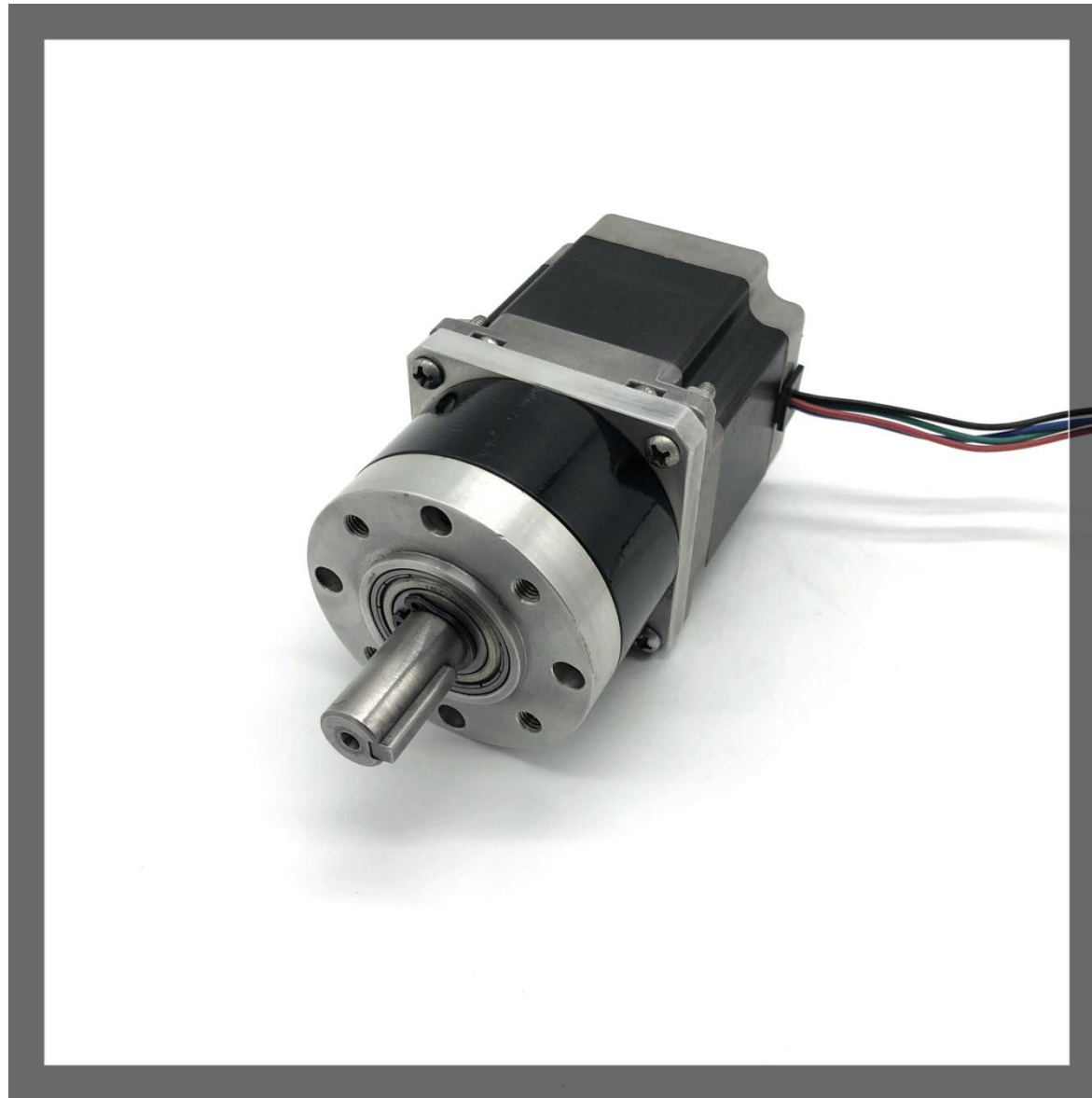


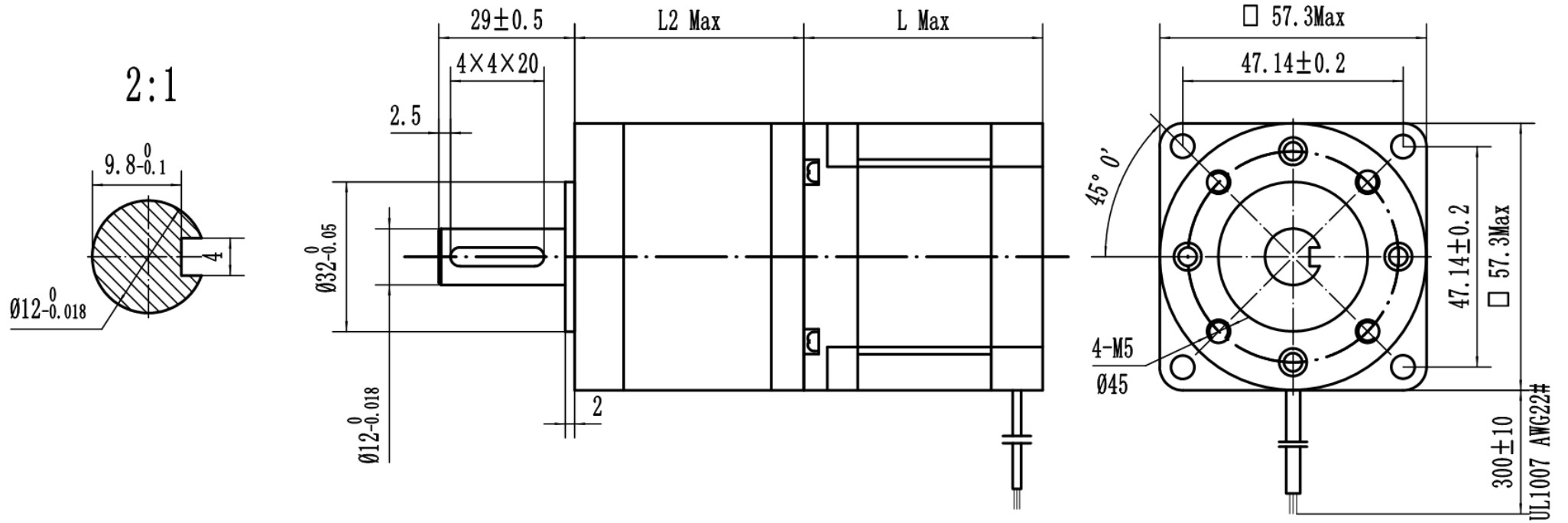
NEMA23 Hybrid Planetary Reducer Stepper Motor (1.8°) With 56mm Planetary Reducer



Technical Parameter of the 56mm Planetary Reducer

项目 Ltem		1级 (Level 1)	2级 (Level 2)	3级 (Level 3)	4级 (Level 4)
减速比The Gear Ratio	i	3.6、4.25	13、15、18	47、55、65、77	168、198、234 、278、326
长度Length (L2)	mm	49	61	73	84
额定负载Edingfuzai	Nm	4	8	16	32
最大负载The Maximum Load	Nm	12	24	48	100
额定转速Rated Speed	rpm	3000	3000	3000	3000
最大转速Maximum Speed	rpm	5000	5000	5000	5000
效率Efficiency	%	92	83	75	68
回差Return Difference	arcmin	≤60	≤75	≤95	≤120
噪音Noise	dB	≤45	≤45	≤45	≤45
寿命Life	h	12000	12000	12000	12000
重量Weight	g	700	875	1050	1230

Drawing of the stepper motor



Size: mm

Technical Specification

型号 Model	相数 Number of phase	电流 Current	电阻 Resistance	电感 Inductance	保持转矩 Holding Torque	转动惯量 Rotor Inertia	定位力矩 Detent Torque	重量 Weight	机身长度 Length (L)
		A	Ω	mH	Kg. cm	g. cm ²	g. cm	Kg	mm
MR57HS45-4100	2	1	4	8	6	155	250	0.5	45
MR57HS45-4200	2	2	1.4	3.6	6				
MR57HS45-4250	2	2.5	0.95	2.4	6.5				
MR57HS56-4100	2	1	5.6	20.3	12	260	400	0.65	56
MR57HS56-4200	2	2	2.1	6.4	12				
MR57HS56-4300	2	3	0.9	2.8	11				
MR57HS76-4100	2	1	8.8	39	20	460	700	1	76
MR57HS76-4150	2	1.5	4.3	18	20				
MR57HS76-4200	2	2	2.3	9.8	19				
MR57HS76-4300	2	3	0.9	2.8	19				

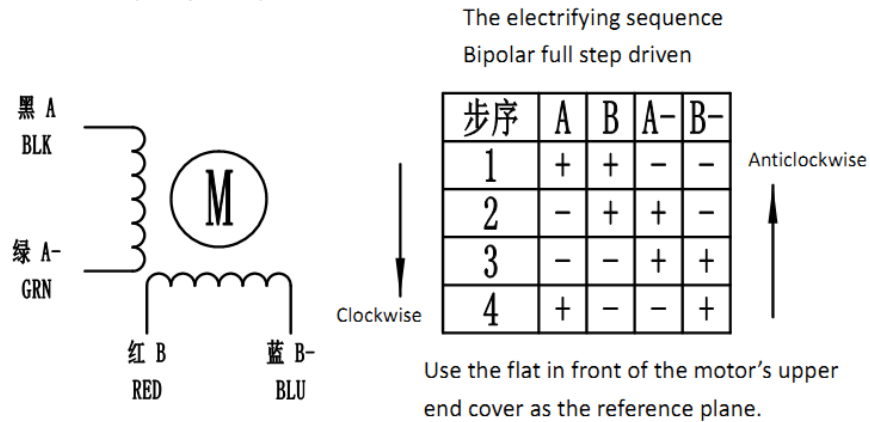
注：以上数据仅供参考，具体参数可根据要求定制。

Note: the above data are for reference only, and the specific parameters can be customized according to requirements.

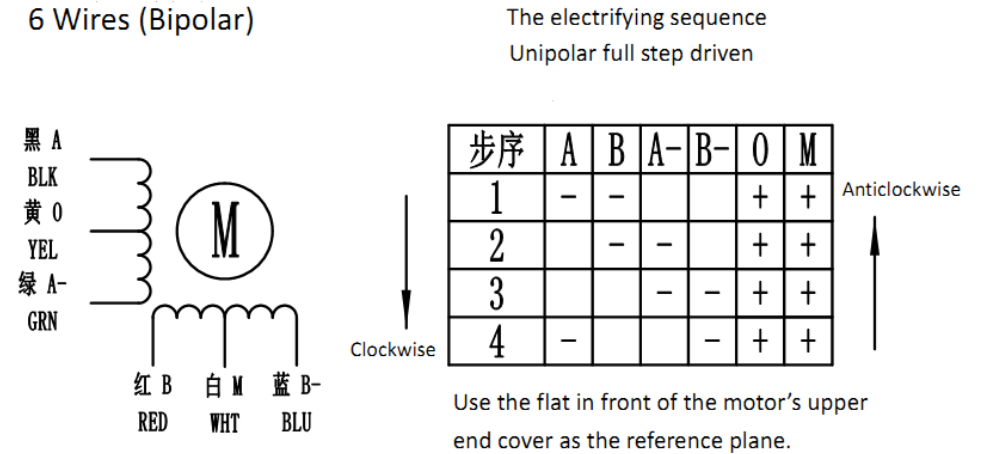
Wires Instruction

2 Phase Stepper Motor

4 Wires (Unipolar)



6 Wires (Bipolar)



4 Wires (Bipolar)

6 Wires (Unipolar)

Customized Service

- 1, The shaft can be customized based on customer's requirement of device connecting.
- 2, The coil winding and height of the motor can be customized based on customer's requirement about the torque, speed and others.
- 3, The wires can be customized, which includes lead, terminal of lead tape, socket and others

