

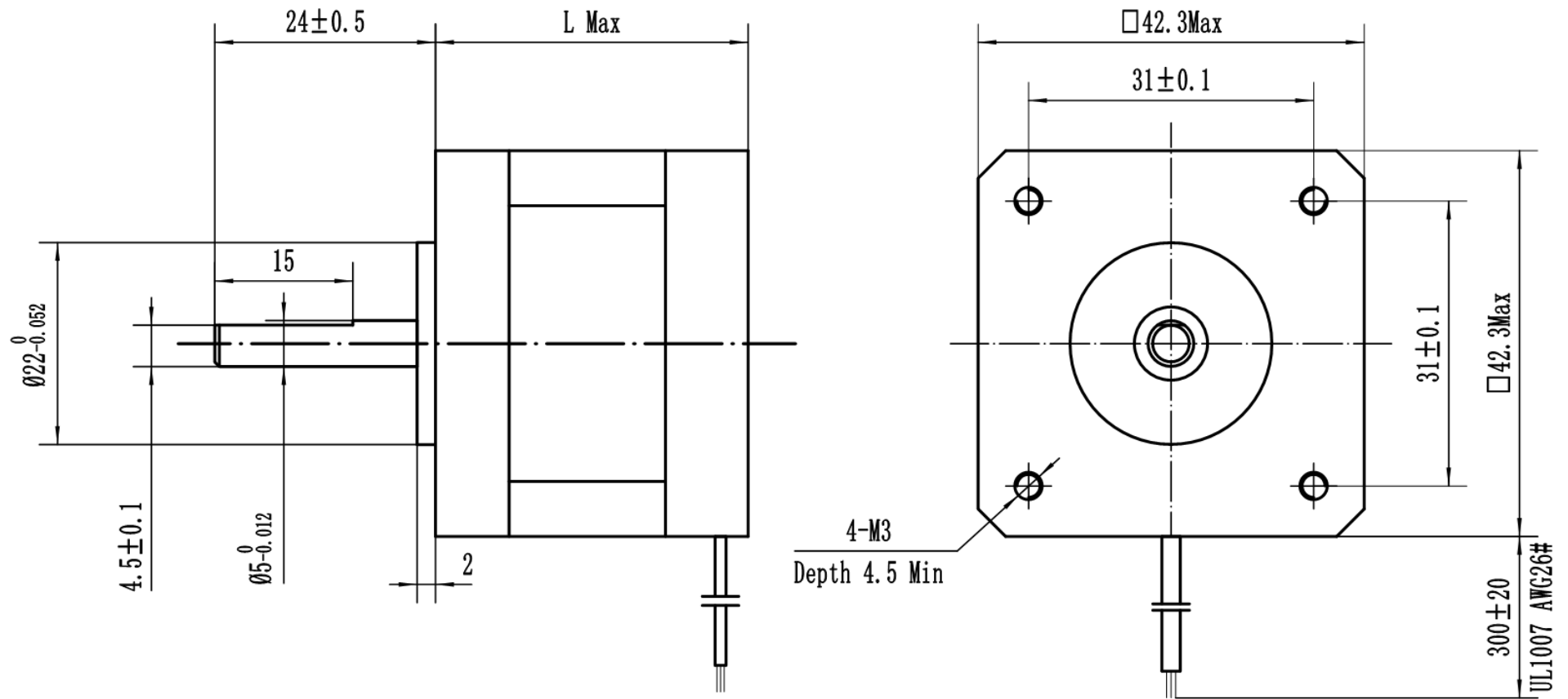
NEMA17 Hybrid Stepper Motor (0.9°) MR42HM Series



Technical Parameter

Subject	Specification	Subject	Specification
Phase	2	Axial Load	25N(5.6 Lbs.) Thrust 65(15 Lbs.) Tension
Step/Circle	400		
Step Angle	0.9°	Radial Load	30N(6.5 Lbs) point of action in the middle of shaft
Step Angle Accuracy	±5%	Operating Temperature	-20°C-50°C
IP Level	IP40	Insulation Grade	B class. 130°C(F class available)
Certificate	CE Rohs	Insulation Resistance	100 MegOhms

Drawing of the stepper motor



Size: mm

Technical Specification

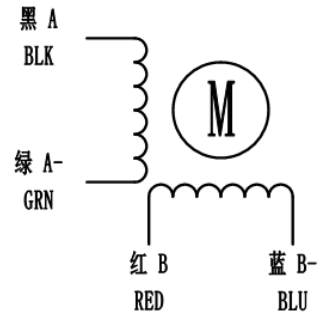
型号 Model	相数 Number of phase	电流 Current	电阻 Resistance	电感 Inductance	保持转矩 Holding Torque	转动惯量 Rotor Inertia	定位力矩 Detent Torque	重量 Weight	机身长度 Length (L)
		A	Ω	mH	Kg. cm	$g. cm^2$	g. cm	Kg	mm
MR42HM20-4065	2	0.65	6.6	7	0.7	15	50	0.12	20
MR42HM20-6065	4	0.65	6.6	2.9	0.5				
MR42HM28-4040	2	0.4	8	11	0.9	20	80	0.2	28
MR42HM28-6040	4	0.4	8	4	0.5				
MR42HM34-4085	2	0.85	3.1	3.6	1.8	38	120	0.22	34
MR42HM34-6085	4	0.85	3.1	2.3	1.6				
MR42HM40-4165	2	1.65	1.8	4.1	3.3	58	180	0.25	40
MR42HM40-4080	4	0.8	7.5	9.6	2.6				
MR42HM48-4165	2	1.65	1.8	5	4.4	82	240	0.35	48
MR42HM48-6080	4	0.8	8.5	10	3.2				

注：以上数据仅供参考，具体参数可根据要求定制。

Wires Instruction

2 Phase Stepper Motor

4 Wires (Unipolar)



The electrifying sequence
Bipolar full step driven

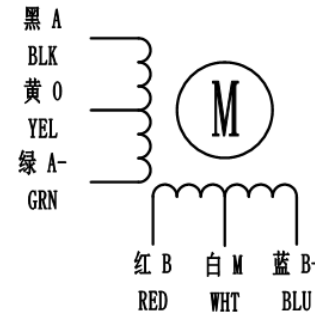
步序	A	B	A-	B-
1	+	+	-	-
2	-	+	+	-
3	-	-	+	+
4	+	-	-	+

Clockwise

Anticlockwise

Use the flat in front of the motor's upper end cover as the reference plane.

6 Wires (Bipolar)



The electrifying sequence
Unipolar full step driven

步序	A	B	A-	B-	O	M
1	-	-			+	+
2		-	-		+	+
3			-	-	+	+
4	-			-	+	+

Clockwise

Anticlockwise

Use the flat in front of the motor's upper end cover as the reference plane.

4 Wires (Bipolar)

6 Wires (Unipolar)

Customized Service

- 1, The shaft can be customized based on customer's requirement of device connecting.
- 2, The coil winding and height of the motor can be customized based on customer's requirement about the torque, speed and others.
- 3, The wires can be customized, which includes lead, terminal of lead tape, socket and others





