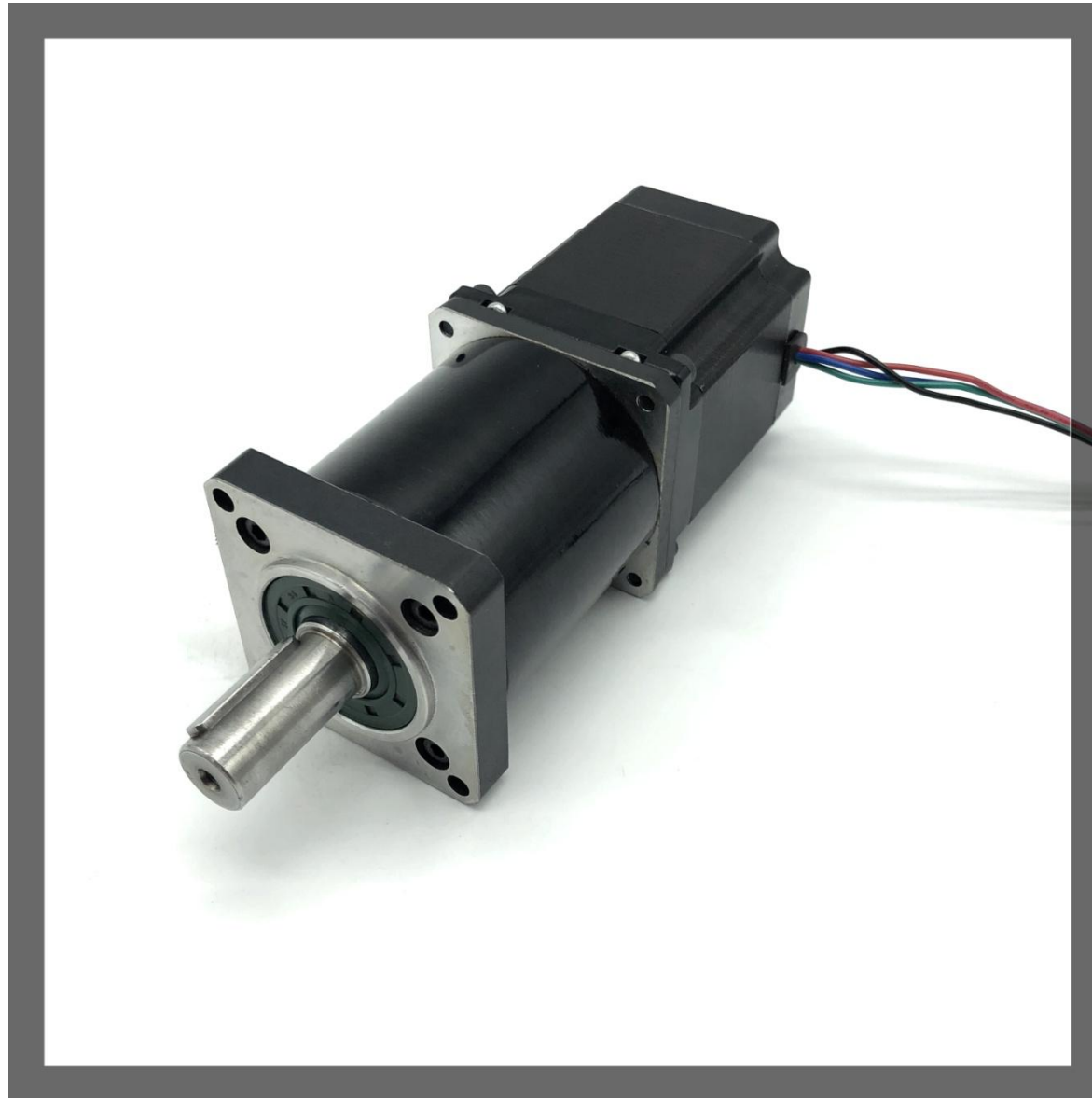


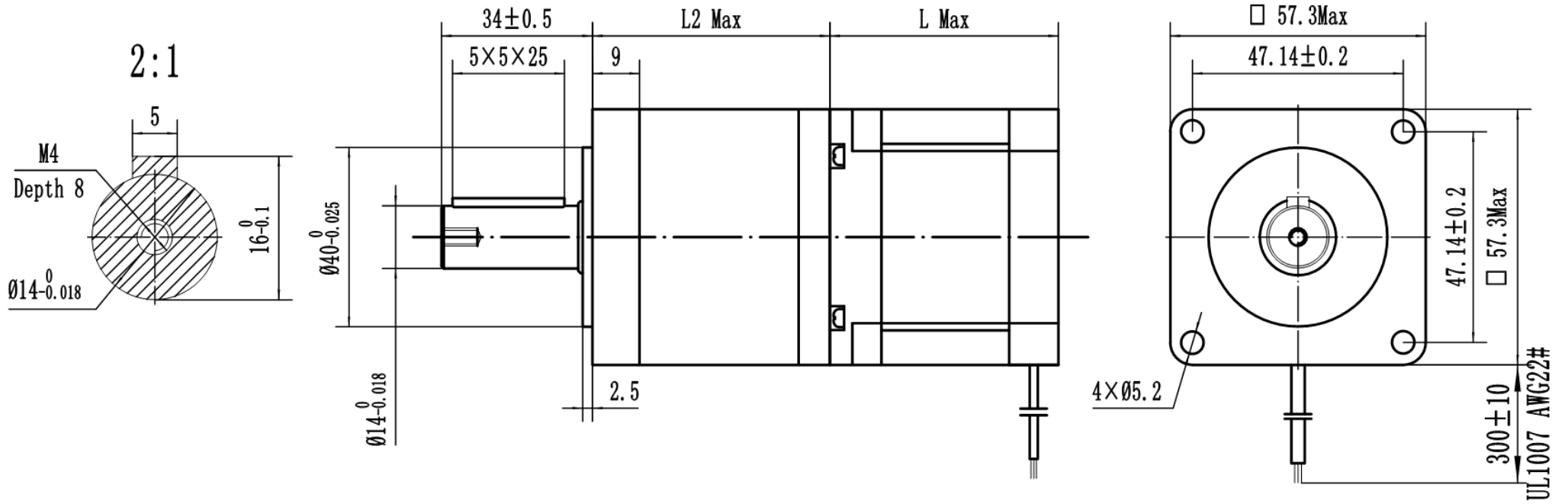
## NEMA23 Hybrid Stepper Motor ( 1.8° ) With 57mm High Precision Planetary Reducer



## Technical Parameter of the 57mm High Precision Planetary Reducer

项目 Ltem		1级 (Level 1)	2级 (Level 2)
减速比The Gear Ratio	i	4、5、7、9、10	16、20、25、28、35、36、40、45、49、50、63、70、81、90、100
长度Length (L2)	mm	53	70
额定负载Edingfuzai	Nm	6	25
最大负载The Maximum Load	Nm	12	40
额定转速Rated Speed	rpm	3000	3000
最大转速Maximum Speed	rpm	5000	5000
效率Efficiency	%	95	90
回差Return Difference	arcmin	≤15	≤25
噪音Noise	dB	≤45	≤45
寿命Life	h	12000	12000
重量Weight	g	800	1100

# Drawing of the stepper motor



Size: mm

## Technical Specification

型号 Model	相数 Number of phase	电流 Current	电阻 Resistance	电感 Inductance	保持转矩 Holding Torque	转动惯量 Rotor Inertia	定位力矩 Detent Torque	重量 Weight	机身长度 Length (L)
		A	$\Omega$	mH	Kg. cm	$g. cm^2$	g. cm	Kg	mm
MR57HS45-4100	2	1	4	8	6	155	250	0.5	45
MR57HS45-4200	2	2	1.4	3.6	6				
MR57HS45-4250	2	2.5	0.95	2.4	6.5				
MR57HS56-4100	2	1	5.6	20.3	12	260	400	0.65	56
MR57HS56-4200	2	2	2.1	6.4	12				
MR57HS56-4300	2	3	0.9	2.8	11				
MR57HS76-4100	2	1	8.8	39	20	460	700	1	76
MR57HS76-4150	2	1.5	4.3	18	20				
MR57HS76-4200	2	2	2.3	9.8	19				
MR57HS76-4300	2	3	0.9	2.8	19				

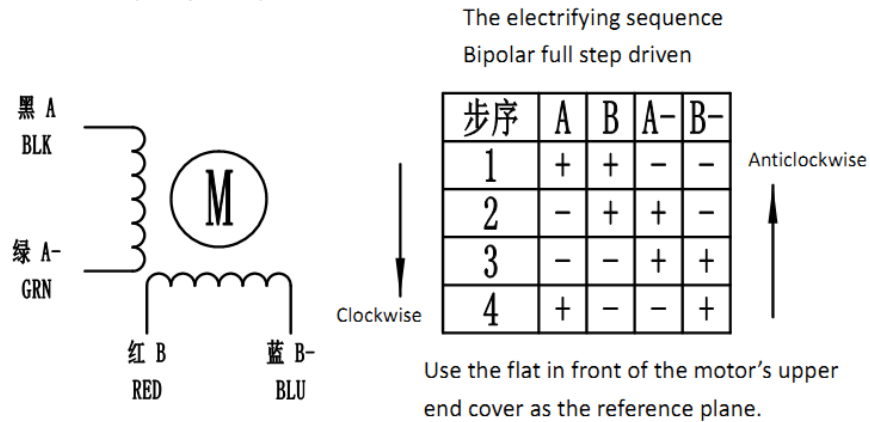
**注：以上数据仅供参考，具体参数可根据要求定制。**

**Note: the above data are for reference only, and the specific parameters can be customized according to requirements.**

## Wires Instruction

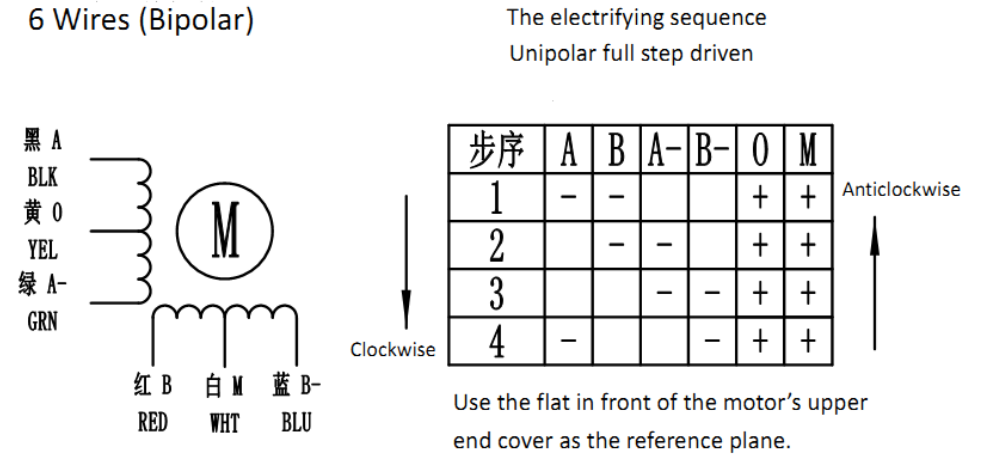
# 2 Phase Stepper Motor

### 4 Wires (Unipolar)



### 4 Wires (Bipolar)

### 6 Wires (Bipolar)



### 6 Wires (Unipolar)

## Customized Service

- 1, The shaft can be customized based on customer's requirement of device connecting.
- 2, The coil winding and height of the motor can be customized based on customer's requirement about the torque, speed and others.
- 3, The wires can be customized, which includes lead, terminal of lead tape, socket and others







