

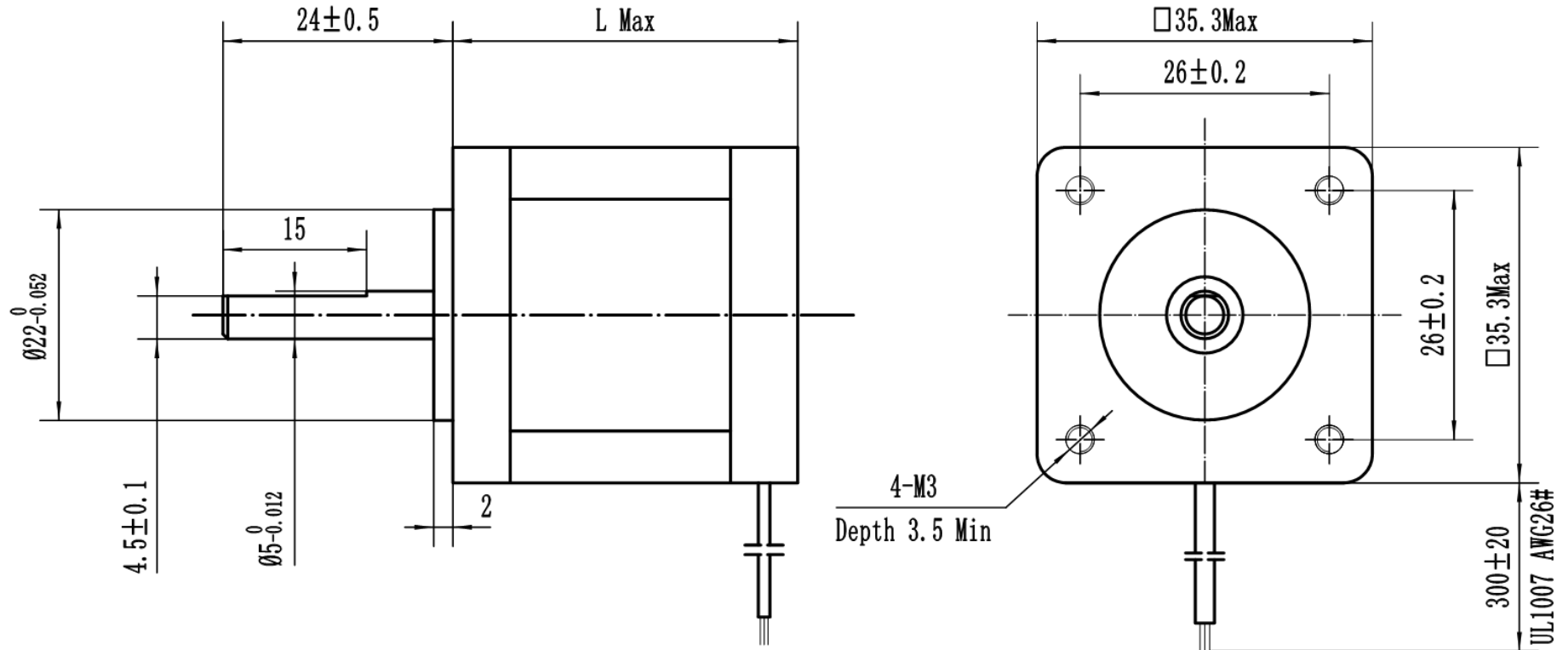
NEMA14 Hybrid Stepper Motor (1.8°) MR35HS Series



Technical Parameter

Subject	Specification	Subject	Specification
Phase	2	Axial Load	25N(5.6 Lbs.) Thrust 65(15 Lbs.) Tension
Step/Circle	200		
Step Angle	1.8°	Radial Load	30N(6.5 Lbs) point of action in the middle of shaft
Step Angle Accuracy	±5%	Operating Temperature	-20°C-50°C
IP Level	IP40	Insulation Grade	B class. 130°C(F class available)
Certificate	CE Rohs	Insulation Resistance	100 MegOhms

Drawing of the stepper motor



Size: mm

Technical Specification

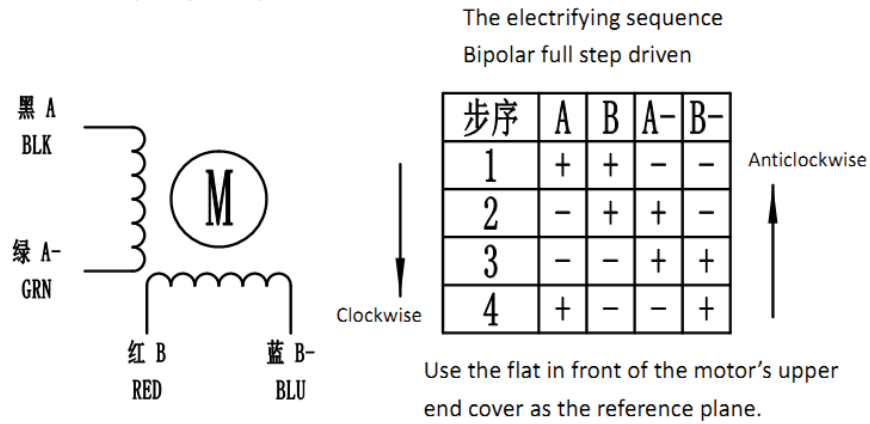
型号 Model	相数 Number of phase	电流 Current	电阻 Resistance	电感 Inductance	保持转矩 Holding Torque	转动惯量 Rotor Inertia	定位力矩 Detent Torque	重量 Weight	机身长度 Length (L)
		A	Ω	mH	Kg. cm	$g. cm^2$	g. cm	Kg	mm
MR35HS20-4050	2	0.5	6.2	5	0.8	8	80	0.12	20
MR35HS28-4070	2	0.7	6.5	6.8	1.2	12	100	0.15	28
MR35HS28-4100	2	1	3.2	3.3	1.2				
MR35HS28-6060	4	0.6	8.5	4.2	0.9				
MR35HS28-6100	4	1	3.2	1.7	0.9				
MR35HS34-4050	2	0.5	12.6	18.9	1.8	18	140	0.2	34
MR35HS34-4100	2	1	2.7	4.3	1.8				
MR35HS34-6070	4	0.7	7	4.8	1.5				
MR35HS36-4070	2	0.7	6	8.9	2	20	150	0.21	36
MR35HS36-4100	2	1	3.4	5	2				
MR35HS36-6070	4	0.7	7.5	5.4	1.6				
MR35HS36-6110	4	1.1	3	2.1	1.7				
MR35HS42-4050	2	0.5	15	12.5	2.5	28	170	0.23	42
MR35HS55-4120	2	1.2	3.3	2.8	3.5	35	180	0.24	55

注：以上数据仅供参考，具体参数可根据要求定制。

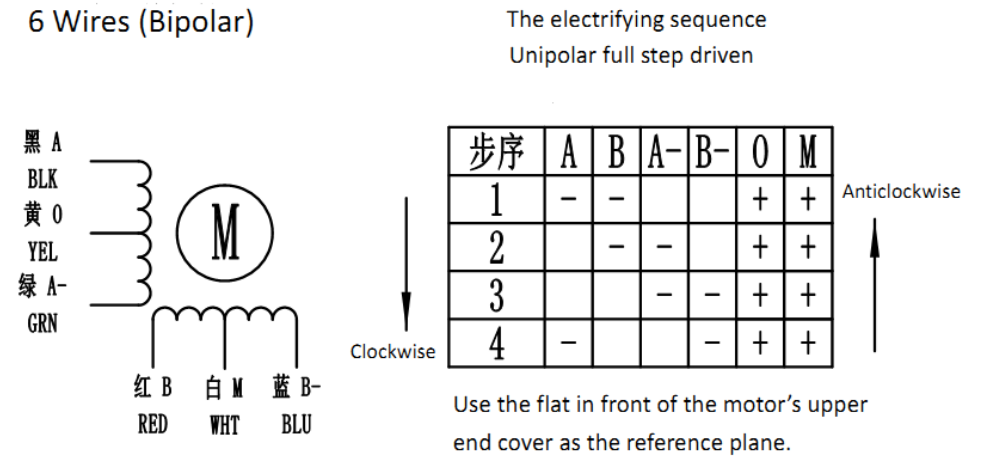
Wires Instruction

2 Phase Stepper Motor

4 Wires (Unipolar)



6 Wires (Bipolar)



4 Wires (Bipolar)

6 Wires (Unipolar)

Customized Service

- 1, The shaft can be customized based on customer's requirement of device connecting.
- 2, The coil winding and height of the motor can be customized based on customer's requirement about the torque, speed and others.
- 3, The wires can be customized, which includes lead, terminal of lead tape, socket and others.





