

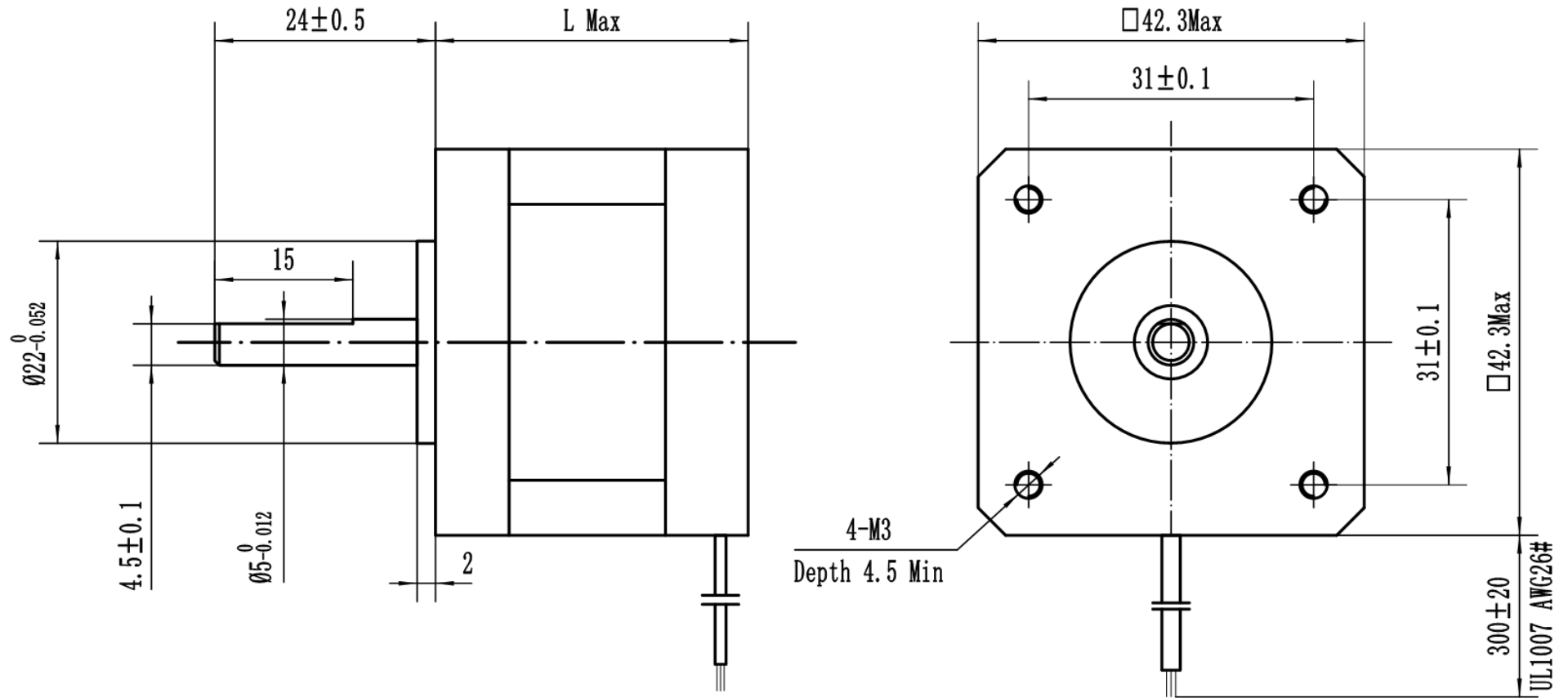
NEMA17 Hybrid Stepper Motor (1.8°) High Performance MR42HD Series



Technical Parameter

Subject	Specification	Subject	Specification
Phase	2	Axial Load	25N(5.6 Lbs.) Thrust 65(15 Lbs.) Tension
Step/Circle	200		
Step Angle	1.8°	Radial Load	30N(6.5 Lbs) point of action in the middle of shaft
Step Angle Accuracy	±5%	Operating Temperature	-20°C-50°C
IP Level	IP40	Insulation Grade	B class. 130°C(F class available)
Certificate	CE Rohs	Insulation Resistance	100 MegOhms

Drawing of the stepper motor



Size: mm

Technical Specification

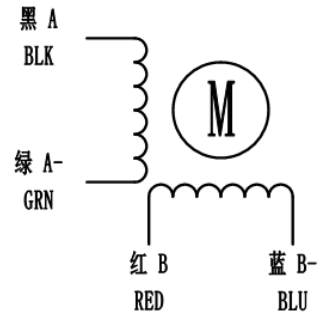
型号 Model	相数 Number of phase	电流 Current	电阻 Resistance	电感 Inductance	保持转矩 Holding Torque	转动惯量 Rotor Inertia	定位力矩 Detent Torque	重量 Weight	机身长度 Length (L)
		A	Ω	mH	Kg. cm	$g. cm^2$	g. cm	Kg	mm
MR42HD34-4080	2	0.8	7.6	11.2	3.2	38	120	0.21	34
MR42HD40-4100	2	1	4.5	10	4.5	57	180	0.25	40
MR42HD48-4120	2	1.2	4.8	10	6.0	82	240	0.35	48
MR42HD60-4150	2	1.5	2.7	6.5	7.5	120	280	0.6	60
MR42HD80-4250	2	2.5	1.8	4.8	11.0	180	450	0.75	80

注：以上数据仅供参考，具体参数可根据要求定制。

Wires Instruction

2 Phase Stepper Motor

4 Wires (Unipolar)



The electrifying sequence
Bipolar full step driven

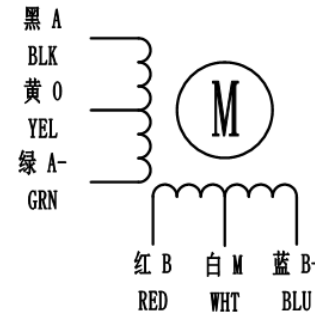
步序	A	B	A-	B-
1	+	+	-	-
2	-	+	+	-
3	-	-	+	+
4	+	-	-	+

Clockwise

Anticlockwise

Use the flat in front of the motor's upper end cover as the reference plane.

6 Wires (Bipolar)



The electrifying sequence
Unipolar full step driven

步序	A	B	A-	B-	0	M
1	-	-			+	+
2		-	-		+	+
3			-	-	+	+
4	-			-	+	+

Clockwise

Anticlockwise

Use the flat in front of the motor's upper end cover as the reference plane.

4 Wires (Bipolar)

6 Wires (Unipolar)

Customized Service

- 1, The shaft can be customized based on customer's requirement of device connecting.
- 2, The coil winding and height of the motor can be customized based on customer's requirement about the torque, speed and others.
- 3, The wires can be customized, which includes lead, terminal of lead tape, socket and others





